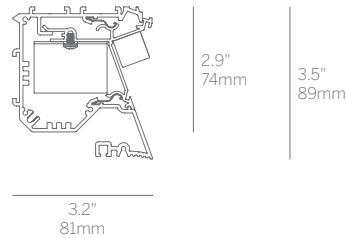




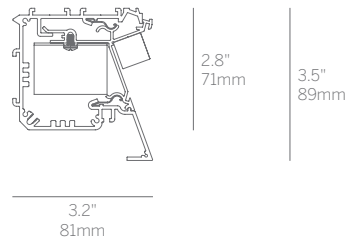
Plaster Trim



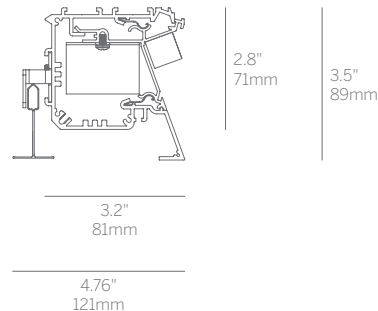
Bezel Trim



Plaster Trim (RPT)



Bezel Trim (RBT)



Grid Trim (RGT9/RGT15)

Ordering Information

Model	Fixation	Pattern	Length	Power ²	CRI/ CCT ³	Driver ⁴	In-fill	Lens	Finish	Options
WG-20ZCF	RPT RBT RGT9 RGT15	S ¹ PC ² PR ² PZ ²	A A x B A x B x C A x B x A x B	L M H	927 930 935 940	X S D010 L3DAE L3DOE DFPN	X P4 P5	SD (std) OD NL16 LL45B LL45W	W (std) B G F	LEC REC LREC

Luminaire

- Linear perimeter slot system featuring plaster-in or bezel precision knife edge for clean, minimal effect.
- Suitable for 5/8" drywall ceiling.
- Lengths and angles factory cut to exact field dimensions.
- Mitered corners available with continuous LED illumination.
- Powder coat painted white - RAL 9010
- Optional adjustable In-Fill panel to accommodate 4" - 6" slot.
- Micro-refractive satin diffuser guides light further down the wall.

Fixation

- RPT = Recessed Plaster Trim
- RBT = Recessed Bezel Trim
- RGT9 = Recessed Grid Trim 9/16"
- RGT15 = Recessed Grid Trim 15/16"

Pattern

- S = Straight run
- PC = Standard patterns coffer 2, 3 or 4 sided with 90° corners¹
- PR = Standard patterns raft 2, 3 or 4 sided with 90° corners¹
- PZ = Non-standard patterns and/or corners other than 90°, consult factory¹

Length

- A, B, C = specify inches to the nearest 0.25" (i.e. 72.25") For patterns specify each length (i.e. 2 sided: A x B = 72.25" x 48"; 3 sided: A x B x C; 4 sided: A x B x A x B)

Power²

- L = 3.2W/ft low power (24V)
- M = 6.4W/ft mid power (24V)

CCT / CRI³

- 90+ CRI minimum (Low/Mid)
- 927 = 2700K, (188/348 lm/ft)
 - 930 = 3000K (194/359 lm/ft)
 - 935 = 3500K, (198/366 lm/ft)
 - 940 = 4000K, (200/370 lm/ft)

Driver⁴

- S = Standard driver, 120-277V
- D010 = 10%, 0-10V dimming, 120-277V
- L3DAE = Lutron Hi-lume 1% EcoSystem, 120-277V
- L3DOE = Lutron Hi-lume Premier 0.1% EcoSystem, 120-277V (remote only)
- DFPN = Lutron Forward Phase 1% 120VAC

In-fill

- X = No in-fill panel
- P4 = 4" - 5" adjustable in-fill panel
- P5 = 5" - 6" adjustable in-fill panel

Lens

- OD = Satin opal diffuser (standard)
- SD = Satin clear diffuser (high efficiency)
- NL16 = Narrow Lens
- LL45W = Louver, white
- LL45B = Louver, black

Finish

- W = White, 20% gloss, RAL9010 (standard)
- B = Black, 20% gloss
- G = Gray, 20% gloss
- F = Custom finished trim, specify RAL

Options

- LEC = Left end cap
- REC = Right end cap
- LREC = Left & Right end caps

Emergency

- Contact factory for emergency lighting options

¹ See pattern spec sheet. Standard setup assumes the cove ends at a perpendicular wall and the led board is setback from the end to minimize light on the perpendicular wall. Contact us for options.

² Wattage shown does not include power supplies/drivers.

³ Delivered lumens with satin opal diffuser shown.

⁴ Integral driver, except L3DOE (remote only). See power supply page for details.