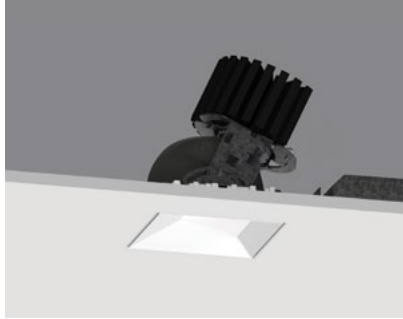


# 4" ProTools DLX Downlight

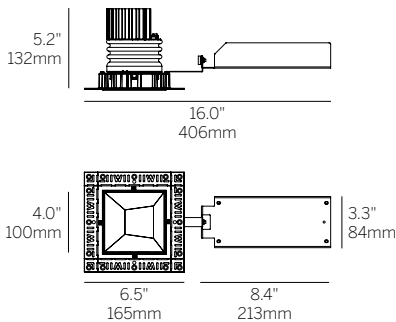
## Square Asymmetric Cover - Adjustable Beam



Recessed Plaster Trim

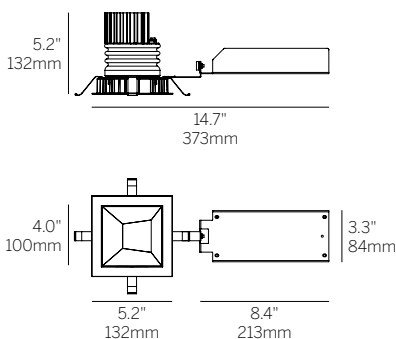


Recessed Bezel Trim



Cut Out:  $\square$ 4.75"

Recessed Plaster Trim (RPT)



Cut Out:  $\square$ 4.75"

Recessed Bezel Trim (RBT)

### Ordering Information

WG-100SPTDLX					SAC		19-31		
Model	Fixation	Power <sup>1,2</sup>	CRI/CCT	Driver <sup>4</sup>	Cover	Lens	Beam	Finish	Options <sup>5</sup>
WG-100SPTDLX	RPT RBT	L M H XH	927 930 935 940	X S D010 PEQ1 PEQ0 DFPN	SAC	OA RSL RSC RSO	19-31 (Zoom)	W G	LP CP IC WL

### Luminaire

- 4" square adjustable downlight with 2" light aperture.
- Regressed aperture / lens position.
- 8° very narrow beam and zoom options available.
- No light leak or view into ceiling void from below due to a unique light leak hood.
- Luminaire and driver installed and maintained from below the ceiling.
- Minimum of 5.5" (127mm) ceiling void is required to install the fixture from below the ceiling (integral driver).
- Modular interchangeability throughout the entire ProTools range of products.
- Tilt 45°, Rotation 365°.

### Fixation

- RPT = Recessed Plaster Trim
- RBT = Recessed Bezel Trim

### Power<sup>1,2</sup>

- L = Low Power, 4W @ 350mA
- M = Mid Power, 5.8W @ 500mA
- H = High Power, 8.4W @ 700mA
- XH = Extra High Power, 13W @ 1050mA

### CRI/CCT<sup>3</sup>

- 90+ CRI (Low/Medium/High/Extra High)
- 927 = 2700K, (360/480/630/850 lm)
  - 930 = 3000K, (380/510/670/910 lm)
  - 935 = 3500K, (380/510/670/910 lm)
  - 940 = 4000K, (410/560/730/980 lm)

### Driver (integral)<sup>4</sup>

- X = Remote driver, ordered separately
- S = Standard non-dim driver, 120-277V
- D010 = EldoLED, 1%, 0-10V Driver, 120-277V
- PEQ1 = Lutron Hi-lume 1% EcoSystem, 120-277V
- PEQ0 = Lutron Hi-lume Premier 0.1% EcoSystem, 120-277V
- DFPN = Lutron Forward Phase 1% 120VAC

### Cover

- SAC = Square Asymmetric Cone

### Lens

- OA = Open Aperture
- RSL = Regressed Solite Lens
- RSC = Regressed Satin Clear
- RSO = Regressed Satin Opal

### Beam

- 19-31 = 19-31° Beam Angle (Zoom)

### Finish

- W = White
- G = Gray

### Options<sup>5</sup>

ProTools downlights require no additional options kits for remodel & new construction

- LP = Landing Pan
- CP = Chicago Plenum Housing
- IC = IC/NC Housing
- WL = Wet Location

<sup>1</sup> Other lumen packages available, consult factory.

<sup>2</sup> See LED data sheet for delivered lumens.

<sup>3</sup> Wattage shown does not include power supplies/drivers. System wattage adds 10-20%.

<sup>4</sup> See power supply page for details.

<sup>5</sup> To specify multiple options, select the appropriate grouped codes from the dropdown e.g. LP-WL.