

4" ProTools DLX Downlight

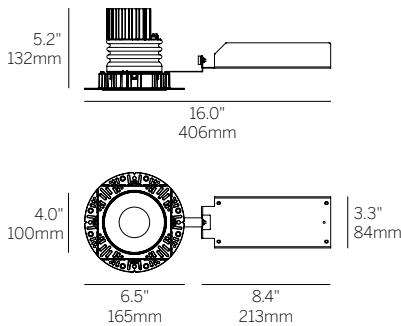
Round Regressed Cone Cover - Narrow



Recessed Plaster Trim

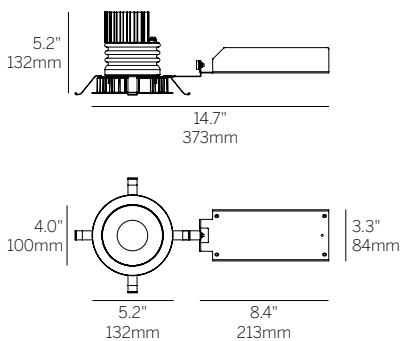


Recessed Bezel Trim



Cut Out: Ø 4.75"

Recessed Plaster Trim (RPT)



Cut Out: Ø 4.75"

Recessed Bezel Trim (RBT)

Ordering Information

| WG-100RPTDLX | | | | | RRC | | | 8 | | |
|--------------|------------|----------------------|--------------------------|----------------------------------------|-------|-------------------------|-----------------------------|------|--------|----------------------|
| Model | Fixation | Power ^{1,2} | CRI/CCT | Driver ⁴ | Cover | Lens | O.A.H ⁵ | Beam | Finish | Options ⁵ |
| WG-100RPTDLX | RPT RBT | L M H XH | 927 930 935 940 | X S D010 PEQ1 PEQ0 DFPN | RRC | OA RSL RSC RSO | SN HX FG LS SOL | 8 | W G | LP CP IC WL |

Luminaire

- 4" round adjustable downlight with 2" light aperture.
- Regressed aperture / lens position.
- 35 degree cut-off.
- 8° very narrow beam and zoom options available.
- No light leak or view into ceiling void from below due to a unique light leak hood.
- Luminaire and driver installed and maintained from below the ceiling.
- Minimum of 5.5" (127mm) ceiling void is required to install the fixture from below the ceiling (integral driver).
- Modular interchangeability throughout the entire ProTools range of products.
- Tilt 45°, Rotation 365°.

Fixation

- RPT = Recessed Plaster Trim
- RBT = Recessed Bezel Trim

Power^{1,2}

- L = Low Power, 4W @ 350mA
- M = Mid Power, 5.8W @ 500mA
- H = High Power, 8.4W @ 700mA
- XH = Extra High Power, 13W @ 1050mA

CRI/CCT³

- 90+ CRI (Low/Medium/High/Extra High)
- 927 = 2700K, (360/480/630/850 lm)
- 930 = 3000K, (380/510/670/910 lm)
- 935 = 3500K, (380/510/670/910 lm)
- 940 = 4000K, (410/560/730/980 lm)

Driver⁴

- X = Remote driver, ordered separately
- S = Standard non-dim driver, 120-277V
- D010 = EldoLED, 1%, 0-10V Driver, 120-277V
- PEQ1 = Lutron Hi-lume 1% EcoSystem, 120-277V
- PEQ0 = Lutron Hi-lume Premier 0.1% EcoSystem, 120-277V
- DFPN = Lutron Forward Phase 1% 120VAC

Cover

- RRC = Round Regressed Cone

Lens

- OA = Open Aperture
- RSL = Regressed Solite Lens
- RSC = Regressed Satin Clear
- RSO = Regressed Satin Opal

Optical Accessory Holder⁵

Up to 3 lens and/or Accessorys can be added to the Optical Accessory Holder

- SN = Snoot
- HX = Hex Louver
- FG = Frosted Glass
- LS = Linear Spread Lens
- SOL = Solite Lens

Beam

- 8 = 8° Beam Angle

Finish

- W = White
- G = Gray

Options⁵

ProTools downlights require no additional options kits for remodel & new construction

- LP = Landing Pan
- CP = Chicago Plenum Housing
- IC = IC/NC Housing
- WL = Wet Location

¹ Other lumen packages available, consult factory.

² See LED data sheet for delivered lumens.

³ Wattage shown does not include power supplies/drivers. System wattage adds 10-20%.

⁴ See power supply page for details.

⁵ To specify multiple options, select the appropriate grouped codes from the dropdown e.g. LP-WL.