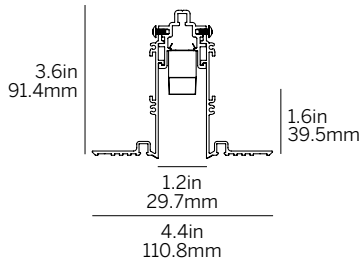
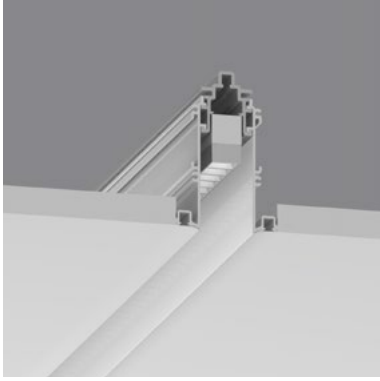
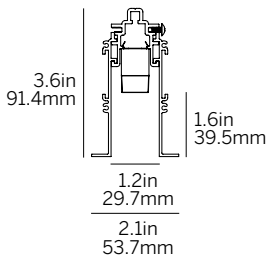


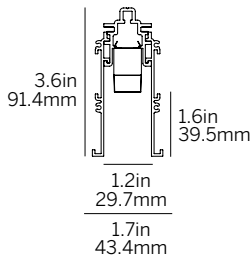
20 Linear Recessed Regressed Louver



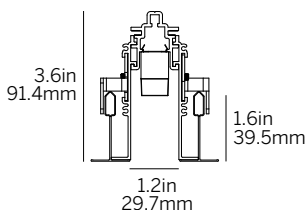
Recessed Plaster Trim (RPT)



Recessed Bezel Trim (RBT)



Recessed Return Trim (RRT)



Recessed Grid Trim (RGT9/RGT15)

Ordering Information

Model	Fixation	Pattern	Length	Power ¹	CRI/CCT ²	Driver ³	Lens	Finish	Options
WG-20LRR	RPT RBT RRT RGT9 RGT15	S	A	L M	927 930 935 940	X SW D010 DALI LE	LL45W LL45B	W (std) B G F	BEC FEC PEC

Luminaire

- Continuous, Louver regressed to the ceiling plane.
- Field replaceable LED boards.
- 90+ CRI, 3 steps MacAdam.
- Specify housing to nearest 0.25" (6.35mm), light insert delivered in 4.74" (120mm) increments.
- Supplied with 4' class 2 plenum rated feed cable per fixture lengths.

Fixation

- RPT = Recessed plaster trim
- RBT = Recessed bezel trim
- RRT = Recessed return trim
- RGT9 = Recessed Grid Trim 9/16" (14mm)
- RGT15 = Recessed Grid Trim 15/16" (24mm)

Pattern

- S = Straight run

Length

- A = specify inches to the nearest 0.25" (6.35mm), 72.25" (1835mm), light insert delivered in 4.74" (120mm) increments.

Power¹

- L = 10.5W/m low power (24V)
- M = 21W/m mid power (24V)

CRI/CCT²

- 90+ CRI (low/mid power)
- 927 = 2700K (207/384 lm/m)
 - 930 = 3000K, (213/394 lm/m)
 - 935 = 3500K, (216/403 lm/m)
 - 940 = 4000K, (219/407 lm/m)

Driver (remote)³

- X = Driver ordered separately
- SW = Switched/NON DIM
- D010 = 0-10/1-10V DIM
- DALI = DALI DIM
- LE = Leading-Edge DIM

Lens

- LL45W = Linear louver white
- LL45B = Linear louver black

Finish

- W = White, 20% gloss, RAL9010 (standard)
- B = Black, 20% gloss
- G = Gray, 20% gloss
- F = Custom finished trim, specify RAL

Options

- BEC = Bezel end caps
- FEC = Flat end caps
- PEC = Plaster-in end caps

Emergency

- Emergency LED driver available, order separately.

¹ Wattage shown does not include power supplies/drivers.

² Delivered lumens with black louver shown.

³ Remote power supply required. See power supply page for details.

