

WARNING:
INSTALL PRODUCT IN ACCORDANCE WITH LOCAL AND NATIONAL ELECTRICAL CODES BY A QUALIFIED ELECTRICIAN.

WARNING:
FAILURE TO COMPLY WITH THE INSTALLATION INSTRUCTIONS MAY RESULT IN DEATH OR SERIOUS INJURY.

WARNING:
READ ALL SAFETY INSTRUCTIONS INCLUDED WITH LUMINAIRE BEFORE INSTALLING LUMINAIRE. SAVE INSTRUCTIONS FOR FUTURE USE.

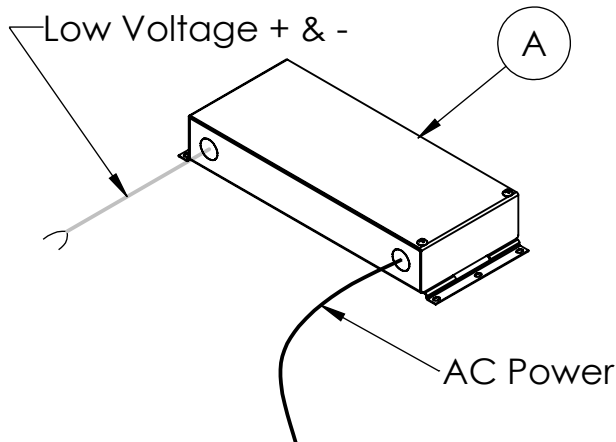
CAUTION:
THIS IS AN ELECTRONIC DEVICE. CARE MUST BE TAKEN DURING STORAGE AND HANDLING. STORE IN A CLEAN, COOL AND DRY LOCATION. ELECTROSTATIC DISCHARGE (ESD) CAN HARM THIS PRODUCT. AVOID STATIC DISCHARGE WHILE HANDLING THIS PRODUCT.

CAUTION:
INTER-LUX IS NOT RESPONSIBLE FOR THE STRUCTURAL INTEGRITY OF THE BUILDING TO SUPPORT THE LUMINAIRE. ADDITIONAL BACKING MAY BE REQUIRED.

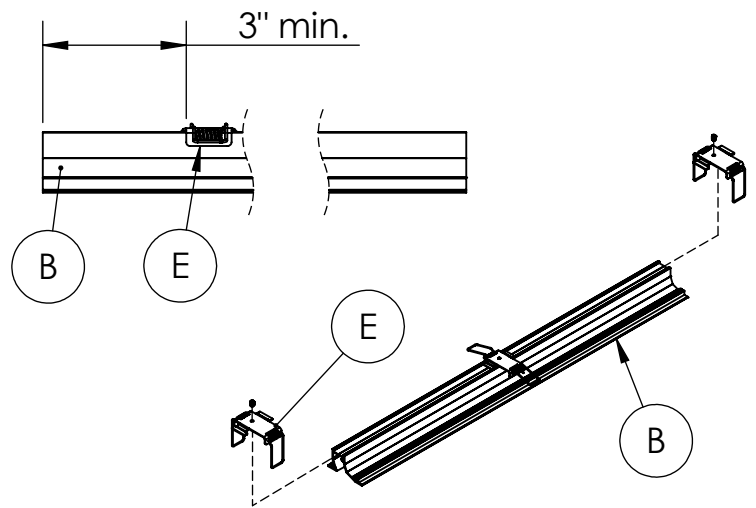
INSTALLATION INSTRUCTIONS

LOCATE AND REVIEW ANY CONSTRUCTION PLANS AND INTER-LUX RECORD DRAWINGS FOR ALL FIXTURE RUNS. IT IS RECOMMENDED TO LOCATE AND LAY OUT ALL COMPONENTS FOR EACH FIXTURE "RUN". A FIXTURE RUN TYPICALLY CONSISTS OF JOINERS, LENGTHS OF HOUSING, AND ENDCAPS. BE SURE TO IDENTIFY ALL CORRECT LENGTHS FOR EACH FIXTURE RUN.

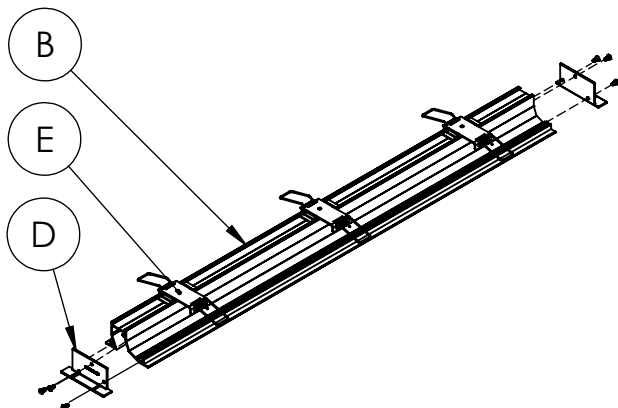
Step 1; Remote Driver Box: Turn off Power before installing. Install Remote Driver Box (A), and make connections to AC power and Low Voltage cables. Then run Low Voltage cables to desired position of fixtures.



Step 2; Install Spring Clips: Secure Spring Clips (E) to Housing (B), evenly spaced, at least 3" from each end using provided set screws.

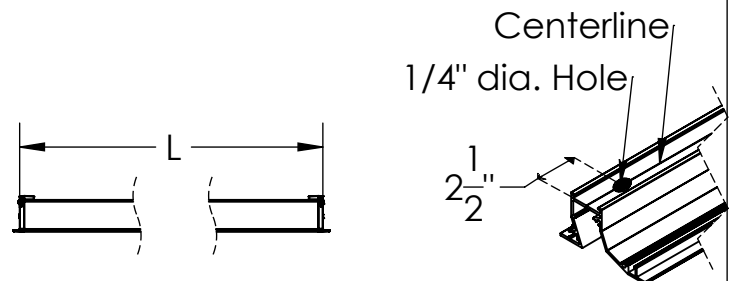


Step 3; Install End Caps: If your order is comprised of stand alone fixtures, they will come with End Caps (D) pre-installed. If it is a continuous run, you will need to install the provided End Caps (D) in the field, at the end of each run.



Step 4; Prepare the ceiling and housing: Cut proper size opening in the ceiling. Cut out dimensions are listed below. Drill a 1/4" hole on the surface of housing along centerline of housing, 2-1/2" away from one end as shown below.

Width : 2"
Length : Overall length of fixture/run



WARNING:
INSTALL PRODUCT IN ACCORDANCE WITH LOCAL AND NATIONAL ELECTRICAL CODES BY A QUALIFIED ELECTRICIAN.

WARNING:
FAILURE TO COMPLY WITH THE INSTALLATION INSTRUCTIONS MAY RESULT IN DEATH OR SERIOUS INJURY.

WARNING:
READ ALL SAFETY INSTRUCTIONS INCLUDED WITH LUMINAIRE BEFORE INSTALLING LUMINAIRE. SAVE INSTRUCTIONS FOR FUTURE USE.

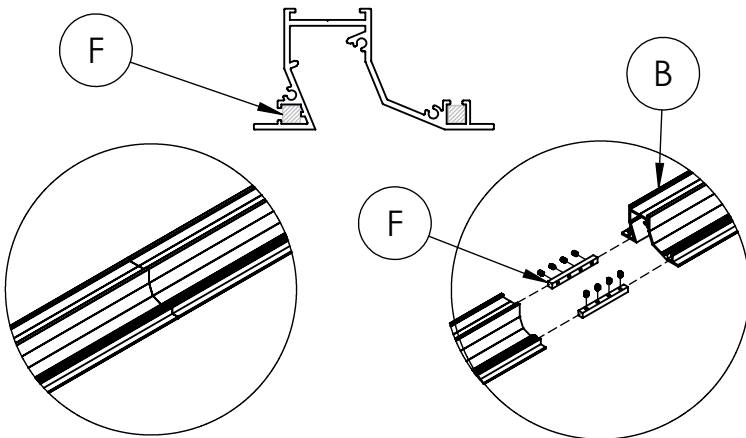
CAUTION:
THIS IS AN ELECTRONIC DEVICE. CARE MUST BE TAKEN DURING STORAGE AND HANDLING. STORE IN A CLEAN, COOL AND DRY LOCATION. ELECTROSTATIC DISCHARGE (ESD) CAN HARM THIS PRODUCT. AVOID STATIC DISCHARGE WHILE HANDLING THIS PRODUCT.

CAUTION:
INTER-LUX IS NOT RESPONSIBLE FOR THE STRUCTURAL INTEGRITY OF THE BUILDING TO SUPPORT THE LUMINAIRE. ADDITIONAL BACKING MAY BE REQUIRED.

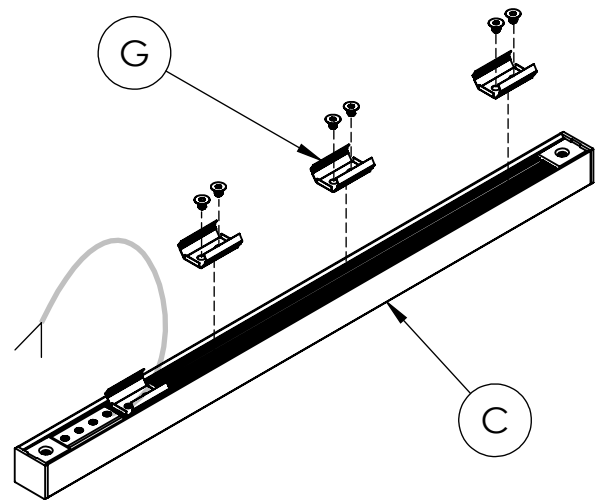
INSTALLATION INSTRUCTIONS

LOCATE AND REVIEW ANY CONSTRUCTION PLANS AND INTER-LUX RECORD DRAWINGS FOR ALL FIXTURE RUNS. IT IS RECOMMENDED TO LOCATE AND LAY OUT ALL COMPONENTS FOR EACH FIXTURE "RUN". A FIXTURE RUN TYPICALLY CONSISTS OF JOINERS, LENGTHS OF HOUSING, AND ENDCAPS. BE SURE TO IDENTIFY ALL CORRECT LENGTHS FOR EACH FIXTURE RUN.

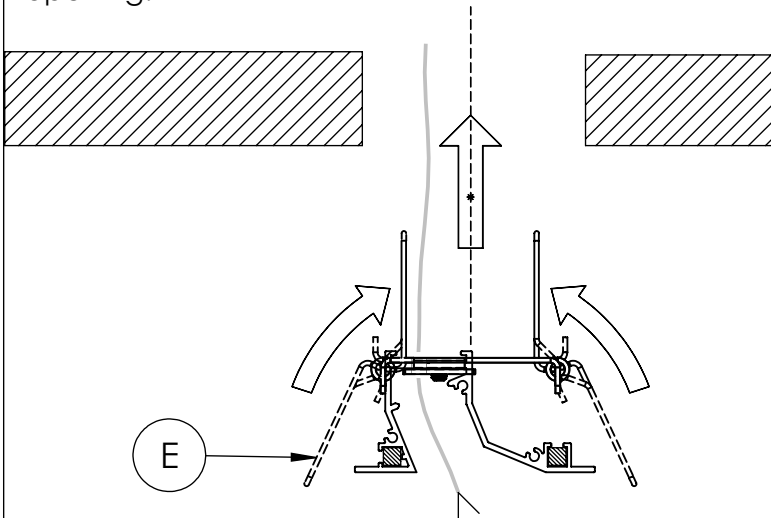
Step 5; Install Joiners: If your order consists of stand alone fixtures, skip this step. If not, connect Housings (B) to each other using supplied Joiner Kits (F). Slide pins into holes and push Housings (B) together, then center Joiner on joint and drive screws into Joiner as shown below.



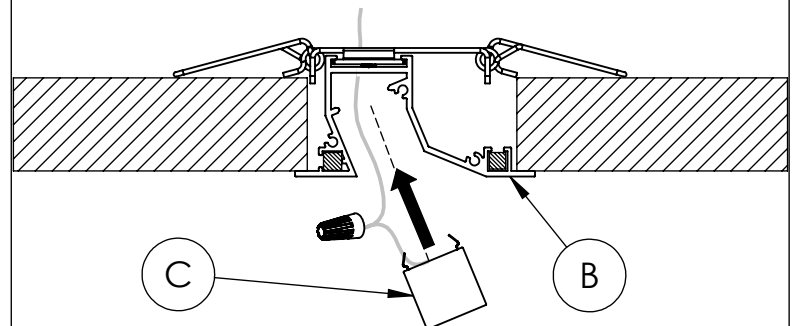
Step 6; Luminaire Assembly: Fasten three evenly spaced Clips (G) onto the back side of Luminaire (C) as shown below.



Step 7; Install Housing: Pull the low voltage cable of Remote Driver (A) through the ceiling hole. Insert the cable through hole on housing. Compress the Spring Clips (E) and gently push the housing into ceiling opening.



Step 8; Luminaire Assembly: Connect the wires of Luminaire to Low voltage cables of Driver (A). Then, gently insert the Luminaire into Housing (B) until it snaps in properly. The wire connectors should fit in the space between the Luminaire (C) and Housing (B). If possible, arrange Luminaire (C) lenses so that they overlap fixture joints. Finally, power and test the Luminaire for proper operation. See page 1 for completed installation.



WARNING:
INSTALL PRODUCT IN ACCORDANCE WITH LOCAL AND NATIONAL ELECTRICAL CODES BY A QUALIFIED ELECTRICIAN.

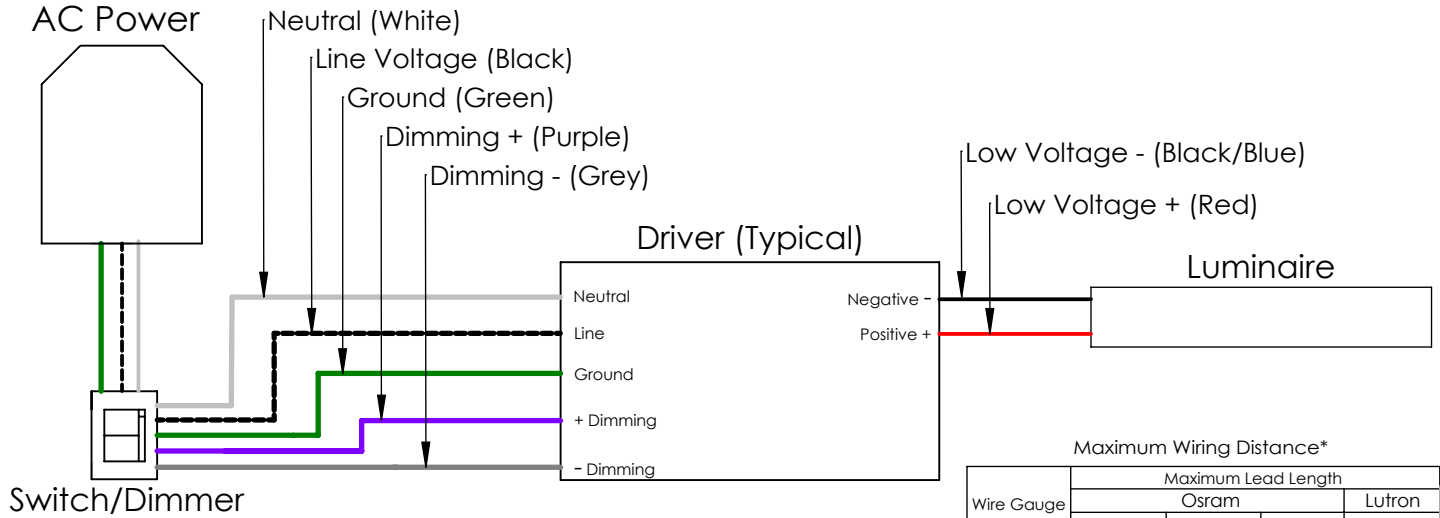
WARNING:
FAILURE TO COMPLY WITH THE INSTALLATION INSTRUCTIONS MAY RESULT IN DEATH OR SERIOUS INJURY.

WARNING:
READ ALL SAFETY INSTRUCTIONS INCLUDED WITH LUMINAIRE BEFORE INSTALLING LUMINAIRE. SAVE INSTRUCTIONS FOR FUTURE USE.

CAUTION:
THIS IS AN ELECTRONIC DEVICE. CARE MUST BE TAKEN DURING STORAGE AND HANDLING. STORE IN A CLEAN, COOL AND DRY LOCATION. ELECTROSTATIC DISCHARGE (ESD) CAN HARM THIS PRODUCT. AVOID STATIC DISCHARGE WHILE HANDLING THIS PRODUCT.

CAUTION:
INTER-LUX IS NOT RESPONSIBLE FOR THE STRUCTURAL INTEGRITY OF THE BUILDING TO SUPPORT THE LUMINAIRE. ADDITIONAL BACKING MAY BE REQUIRED.

Wiring Key



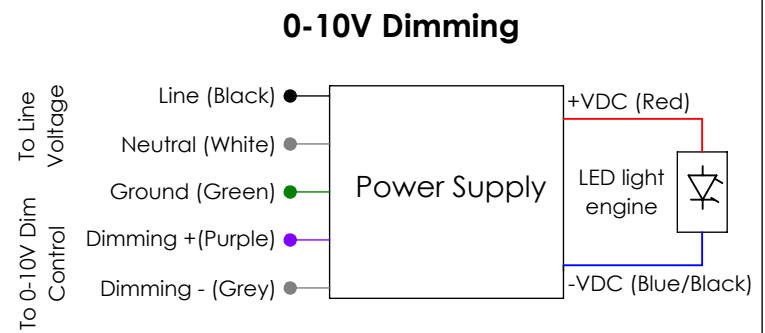
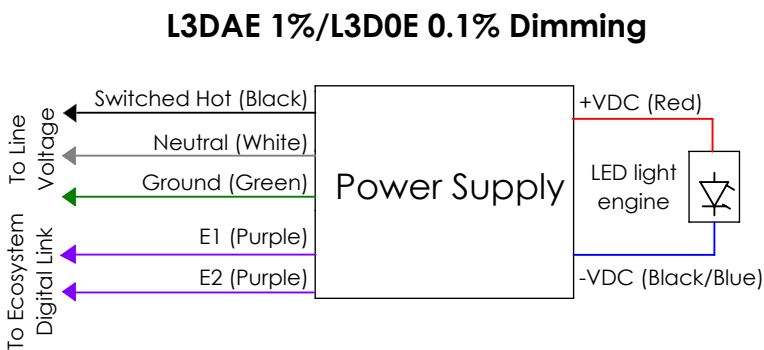
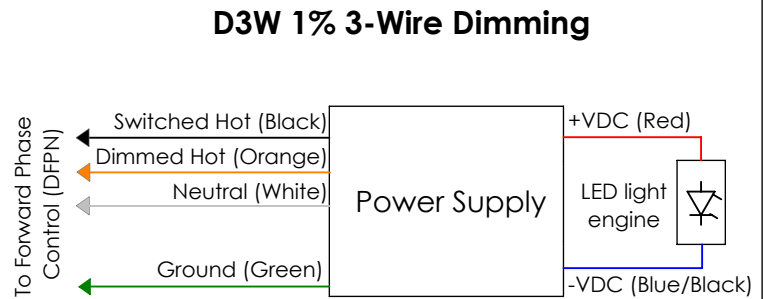
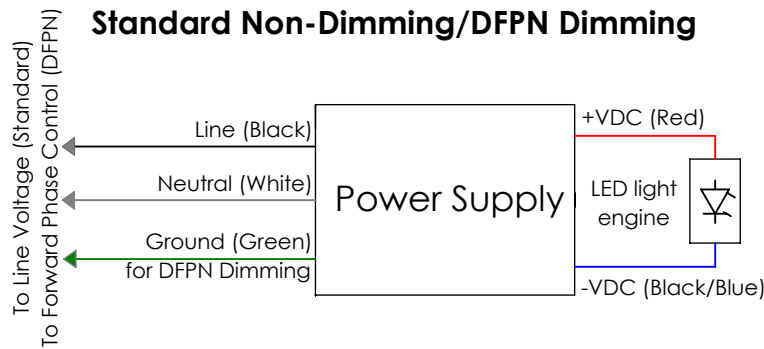
Red	Blue/Black	Green	Black	White	Purple	Grey
Positive	Negative	Ground	Line	Neutral	Dimming +	Dimming -

Maximum Wiring Distance*

Wire Gauge	Maximum Lead Length			
	Osram		Lutron	
	≤ 48W	≤ 72W	≤ 96W	≤ 40W
#18AWG	37'	25'	18'	15'
#16AWG	59'	39'	29'	25'
#14AWG	95'	63'	47'	40'
#12AWG	151'	101'	75'	60'

*Actual Voltage drop to be calculated by installer

Driver Wiring Diagrams



NOTE: ALL SHOWN DRIVERS ARE INTER-LUX PROVIDED. FOR NON INTER-LUX PROVIDED DRIVERS PLEASE REFER TO DRIVER MANUFACTURERS. THE USE OF NON INTER-LUX PROVIDED DRIVERS VOIDS PRODUCT WARRANTY.