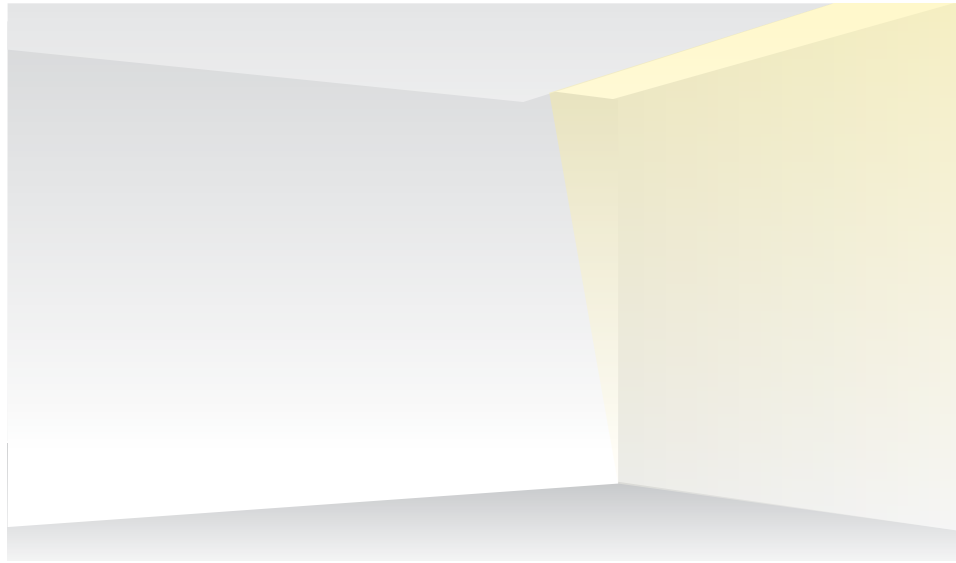


# Edgeless and Box Covers - Perimeter Reveal Application

WG EC-RPT, WG MEC-RPT, WG BC-RPT, WG MBC-RPT



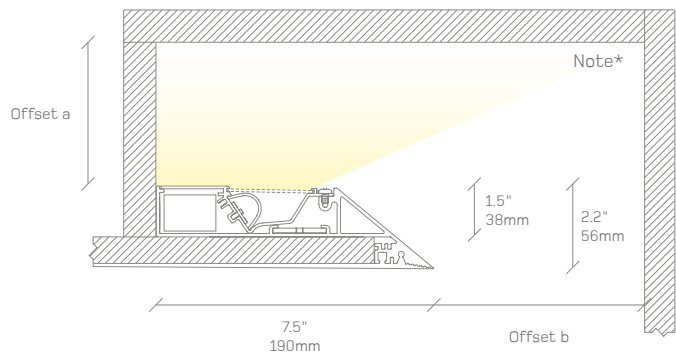
A versatile family of cove luminaires suited to uplighting applications, producing plenty of even ambient light and lifting the ceiling for a fresh feel to the space.

The Edgeless Coves have a leading edge which rakes back to minimise the impression of the luminaire. The Box Cove has a simple, minimal form factor allowing it to deliver light with the minimum visual impact.

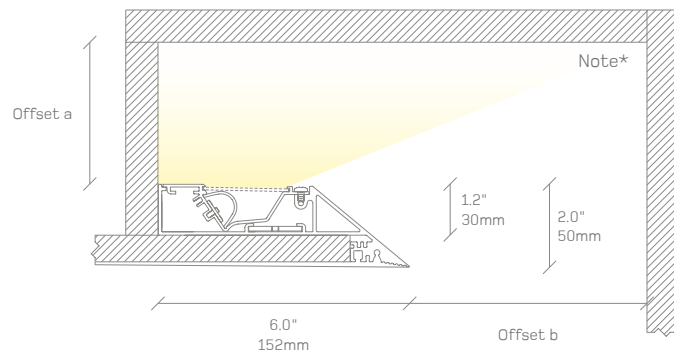
In both cases the aluminium profile forms a perfectly crisp contrasting edge against the lit surface above.

## Mounting and Recommended Spacing

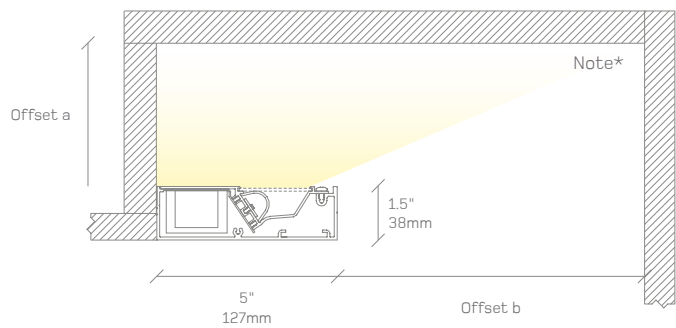
### Edgeless Cove



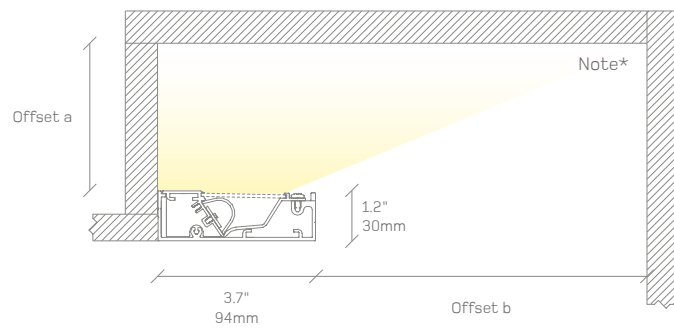
### Mini Edgeless Cove



### Box Cove



### Mini Box Cove



### Note\*

Paint out all internal surfaces of cove in matt white.

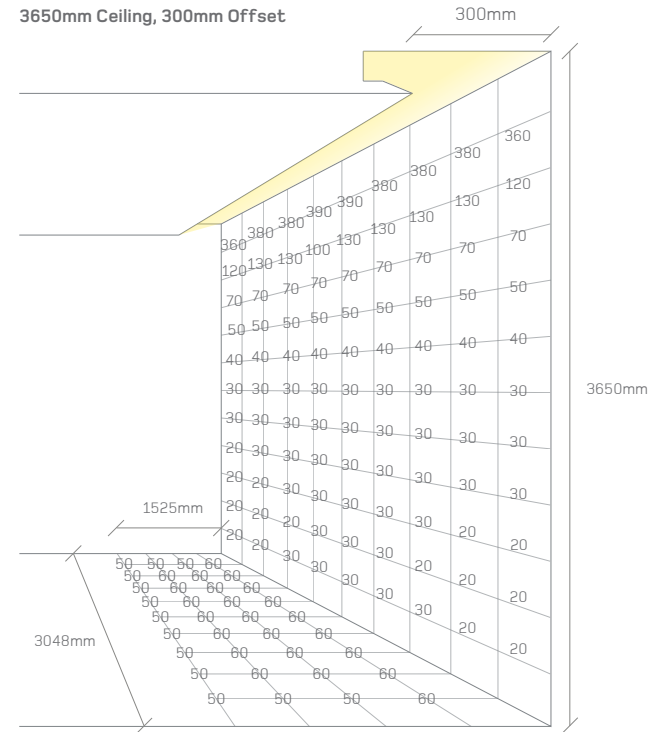
### Offset a

Typical Offset 610mm  
Minimum Offset 150mm

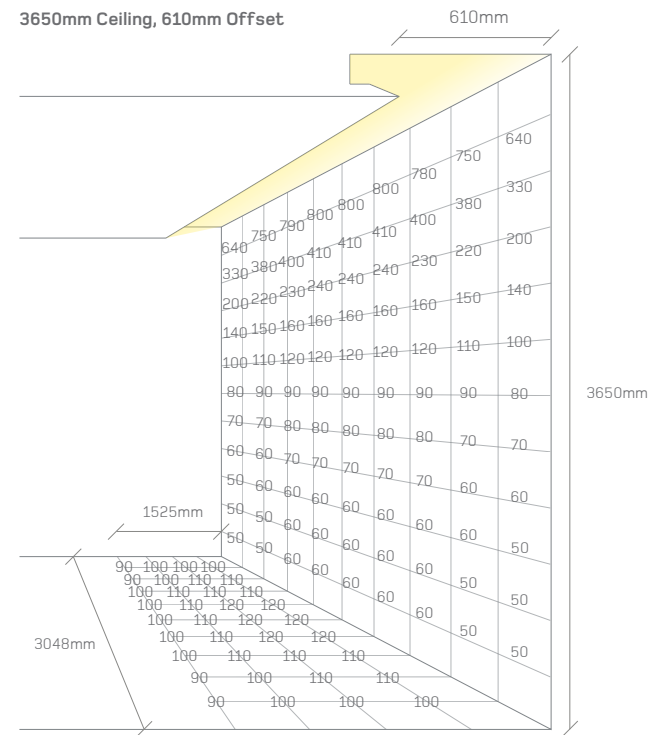
### Offset b

Typical Offset: 300mm-915mm  
Minimum Offset 150mm  
Optimum Offset 915mm

### 3650mm Ceiling, 300mm Offset



### 3650mm Ceiling, 610mm Offset



Values in Lux

Calculated on the following basis:

### Reflectances

Ceiling 70%  
Walls 50%  
Floor 20%

### Maintenance factor

1.0

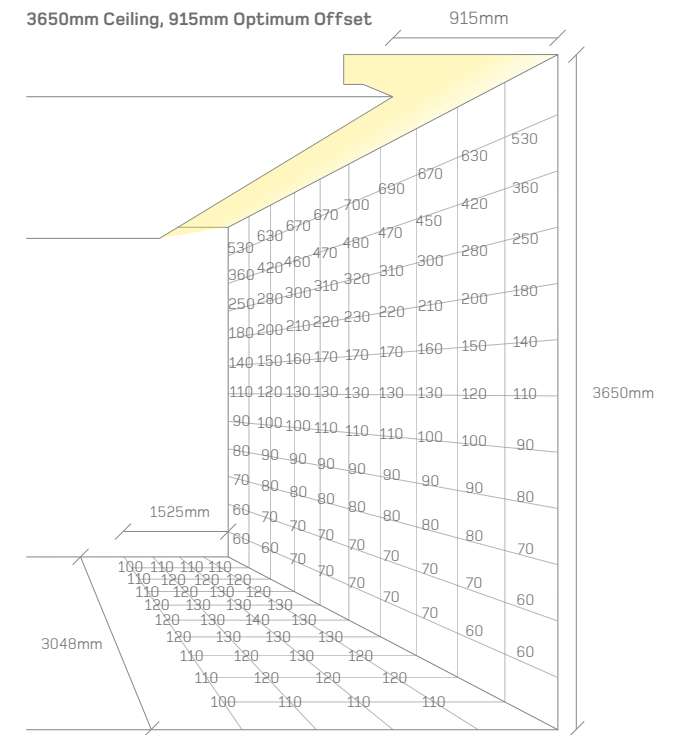
### LED

2940lm/m\*  
3000 Kelvin  
90 CRI

### Diffuser

Snap in Satin

### 3650mm Ceiling, 915mm Optimum Offset



### Edgeless Cove Plaster Trim

Product Details

### Mini Edgeless Cove Plaster Trim

Product Details

### Box Cove Surface Mount

Product Details

### Mini Box Cove Surface Mount

Product Details