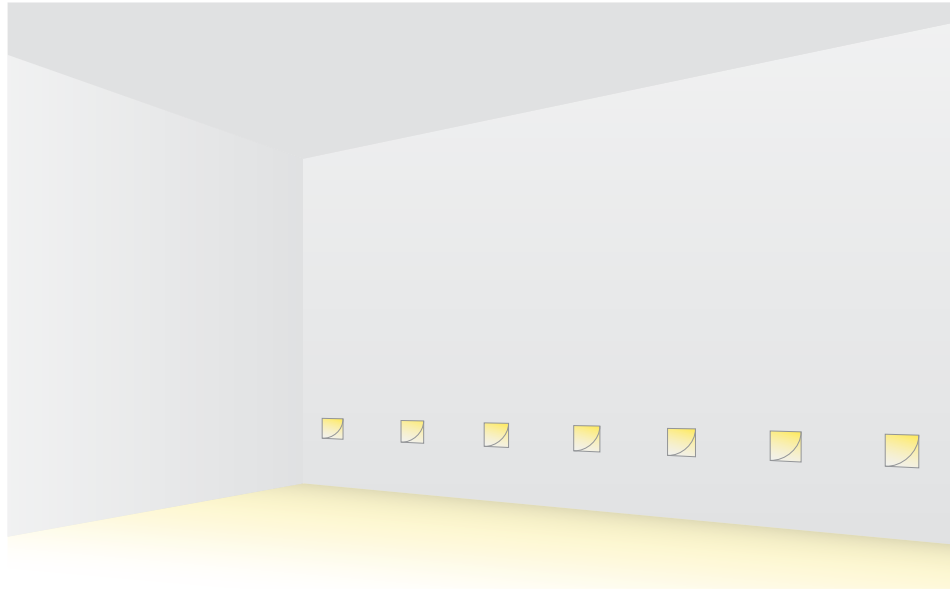


60 Square Ceiling Floor Wash - Corridor Application

WG 60SCFW-RPT, WG 60SCFW-RBT

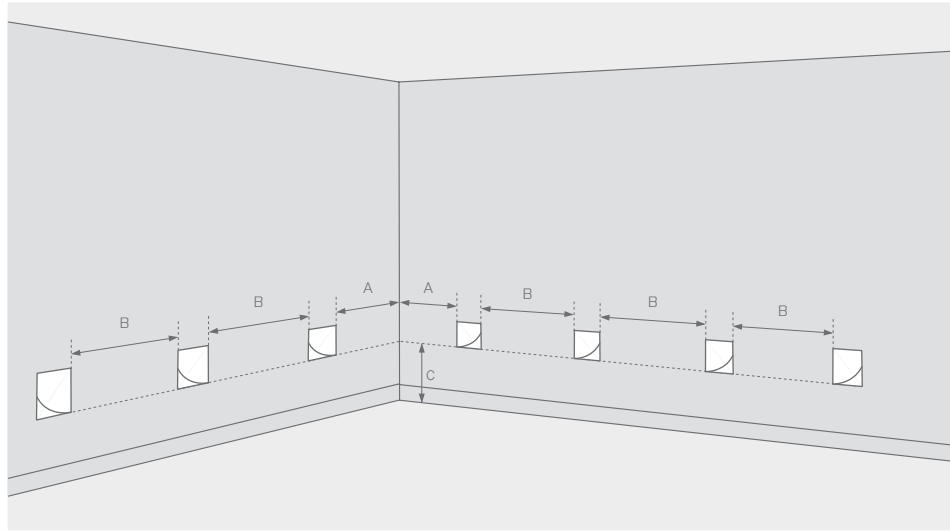


A compact, versatile luminaire which is equally suited to washing light onto a floor, or when inverted, onto the ceiling.

These can be used regularly where a continuous linear product is not practical, or individually as 'night lights', or to give accent to an architectural element such as an arch or portal.

Ideally suited to hospitality and residential environments, they can also be used effectively in lobbies, reception areas and corridors in commercial projects too.

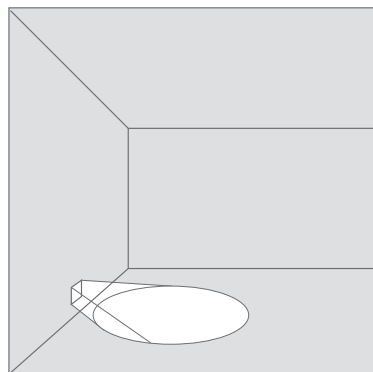
Mounting Options



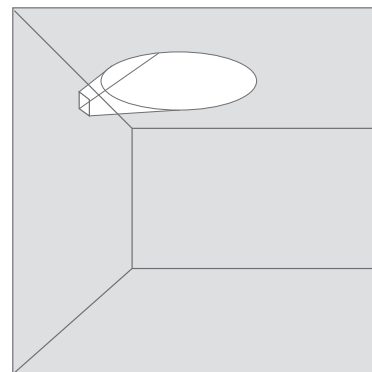
To achieve maximum 'uniformity' of light using our floor/ceiling wash luminaires:

- Distance A should be half of distance B
- Distance B should be equal between luminaires and no greater than twice distance C
- Distance C should be no less than 300mm

Floor Wash



Ceiling Wash



60 Square Ceiling Wash Plaster Trim, Bezel Trim

Product Details 108

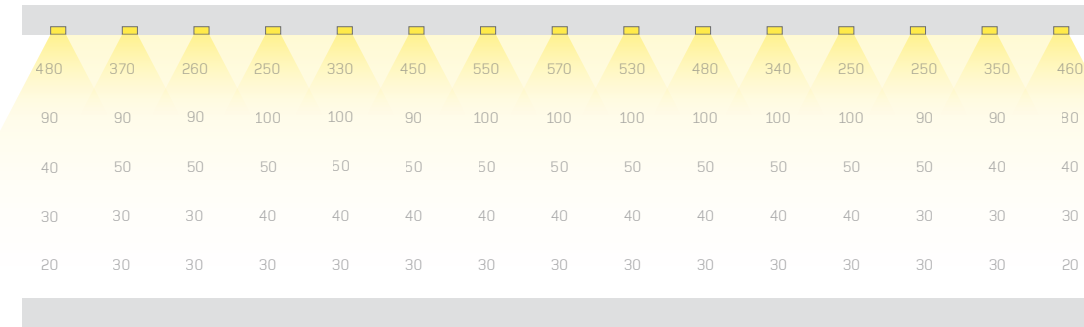
60 Square Floor Wash Plaster Trim, Bezel Trim

Product Details 109

These light maps show expected light levels across a corridor of the size indicated with a floor wash product providing ambient light, created with the 60SCFW.

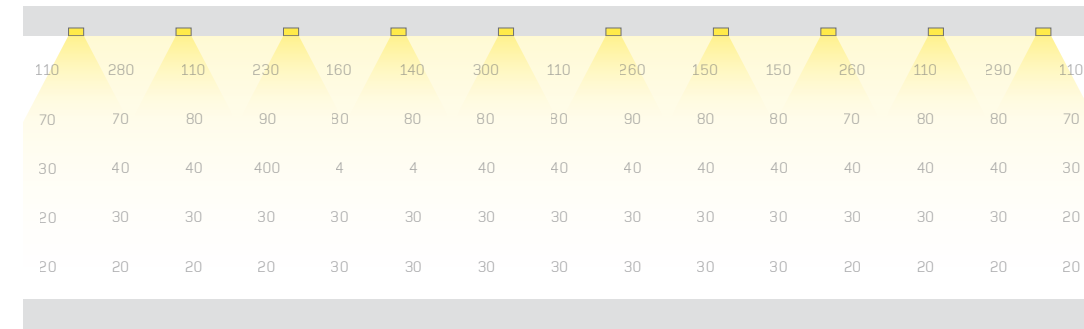
Light levels shown are on a floor. If inverted the same light levels will be achieved on a ceiling.

300mm Offset above ground level 610mm Luminaire spacing centre to centre



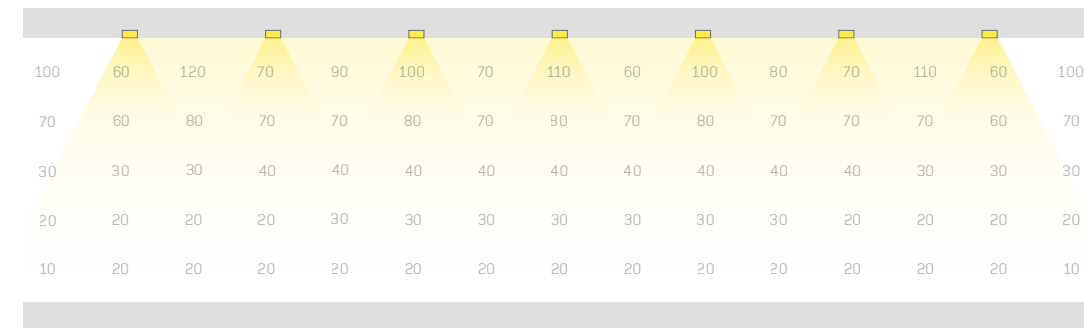
Corridor
Room size 9145mm x 2440mm
Based on 15x 60SCFW
Calculation results taken at ground level

460mm Offset above ground level 915mm Luminaire spacing centre to centre



Corridor
Room size 9145mm x 2440mm
Based on 10x 60SCFW
Calculation results taken at ground level

610mm Offset above ground level 1220mm Luminaire spacing centre to centre



Corridor
Room size 9145mm x 2440mm
Based on 7x 60SCFW
Calculation results taken at ground level

Values in Lux

Calculated on the following basis:

Reflectances	Maintenance Factor	LED	Diffuser
Ceiling 70%	1.0	836lm*	Satin Opal
Walls 50%		3000 Kelvin	
Floor 20%		85 CRI	

*Lumen data correct at the time of print. Source lumens shown. For up to date lumen data refer to specsheet.

60 Square Ceiling Floor Wash - Corridor Application

WG 60SCFW-RPT, WG 60SCFW-RBT

These light maps show expected light levels across a corridor of the size indicated with a floor wash product providing ambient light, created with the 60SCFW.

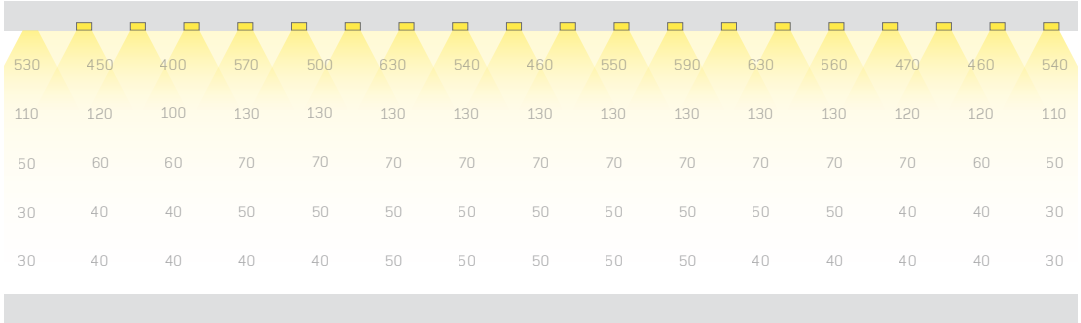
Light levels shown are on a floor. If inverted the same light levels will be achieved on a ceiling.

300mm Offset above ground level
300mm Luminaire spacing centre to centre



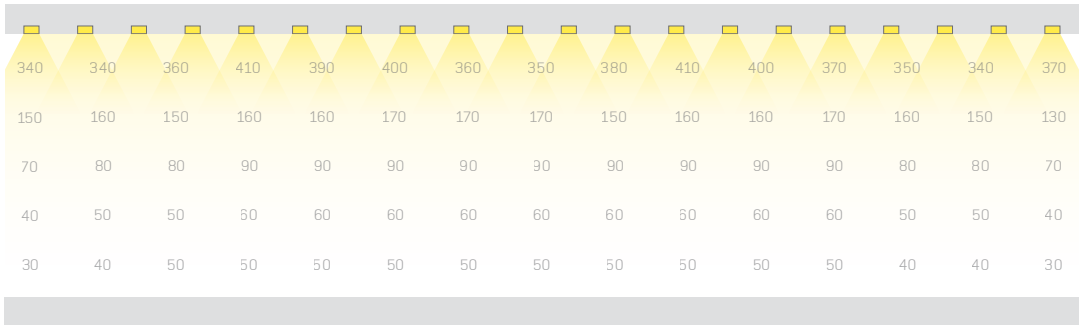
Corridor
Room size 9145mm x 2440mm
Based on 30x 60SCFW
Calculation results taken at ground level

300mm Offset above ground level
450mm Luminaire spacing centre to centre



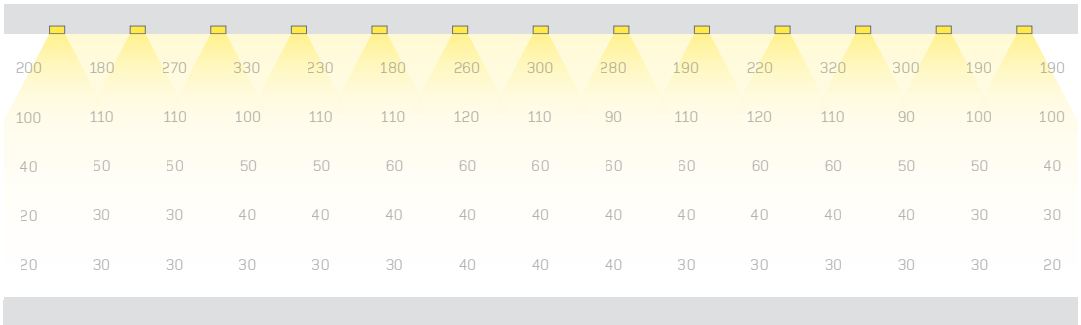
Corridor
Room size 9145mm x 2440mm
Based on 20x 60SCFW
Calculation results taken at ground level

450mm Offset above ground level
450mm Luminaire spacing centre to centre



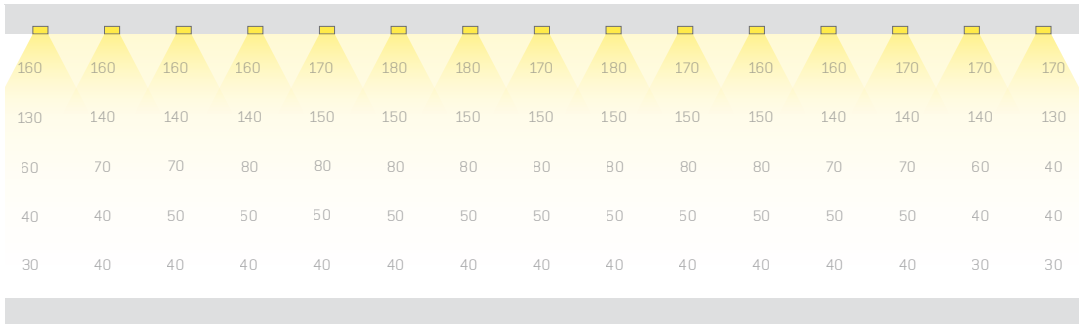
Corridor
Room size 9145mm x 2440mm
Based on 20x 60SCFW
Calculation results taken at ground level

450mm Offset above ground level
680mm Luminaire spacing centre to centre



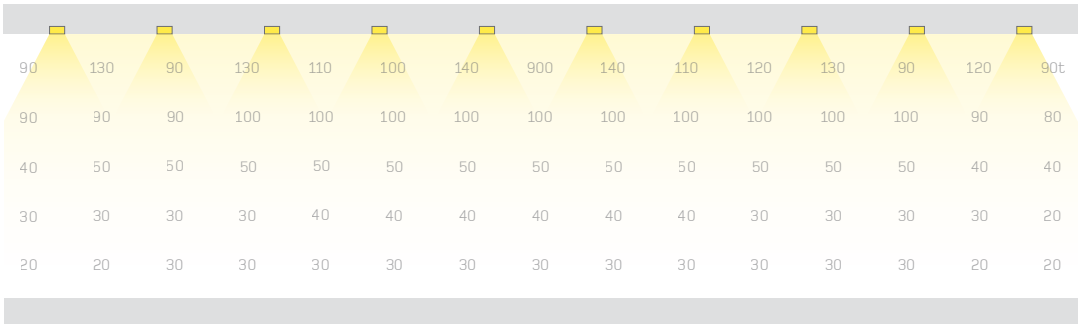
Corridor
Room size 9145mm x 2440mm
Based on 13x 60SCFW
Calculation results taken at ground level

610mm Offset above ground level
610mm Luminaire spacing centre to centre



Corridor
Room size 9145mm x 2440mm
Based on 15x 60SCFW
Calculation results taken at ground level

610mm Offset above ground level
915mm Luminaire spacing centre to centre



Corridor
Room size 9145mm x 2440mm
Based on 10x 60SCFW
Calculation results taken at ground level

Values in Lux

Values in Lux

Calculated on the following basis:

60 Square Ceiling Wash Plaster Trim, Bezel Trim		60 Square Floor Wash Plaster Trim, Bezel Trim	
Product Details	108	Product Details	109

Reflectances	Maintenance Factor	LED	Diffuser
Ceiling 70%	1.0	836lm*	Satin Opal
Walls 50%		3000 Kelvin	
Floor 20%		85 CRI	