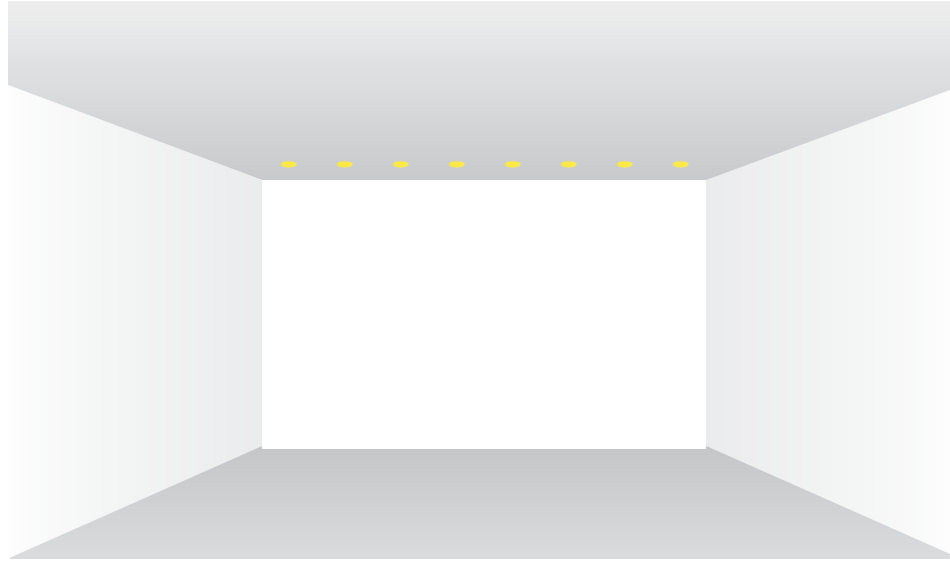


100 ProTools D Downlight - High Angle Illumination

WG 100SPTD, WG 100RPTD

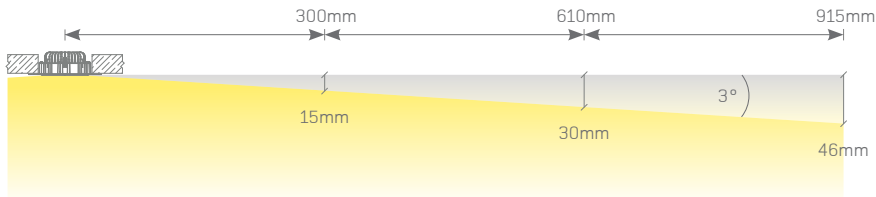


The ProTools D is a versatile luminaire with various trim, diffuser and cover options. When specified with a Flush Satin Opal Diffuser, it has excellent high angle lighting performance. Although it is not intended as a dedicated wall wash luminaire, it can provide excellent illumination to nearby vertical surfaces as well as providing excellent ambient light throughout a space.

In this Design Guide, we provide you with all the information you need to work out exactly how much light can expect to deliver to a wall and floor below, relative to the distance from the surface and the centre to centre spacings of the luminaires.

Angle of Illumination / High Angle Lighting Performance

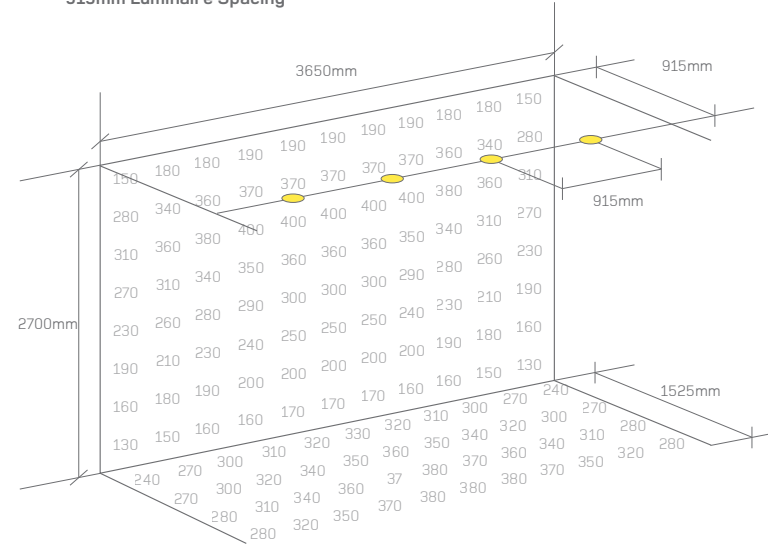
WG 100SPTD, WG 100RPTD



The diagrams show the point at which the contrast between the lit and the unlit perpendicular surface occurs as a soft transition line, at various distances from the luminaire.

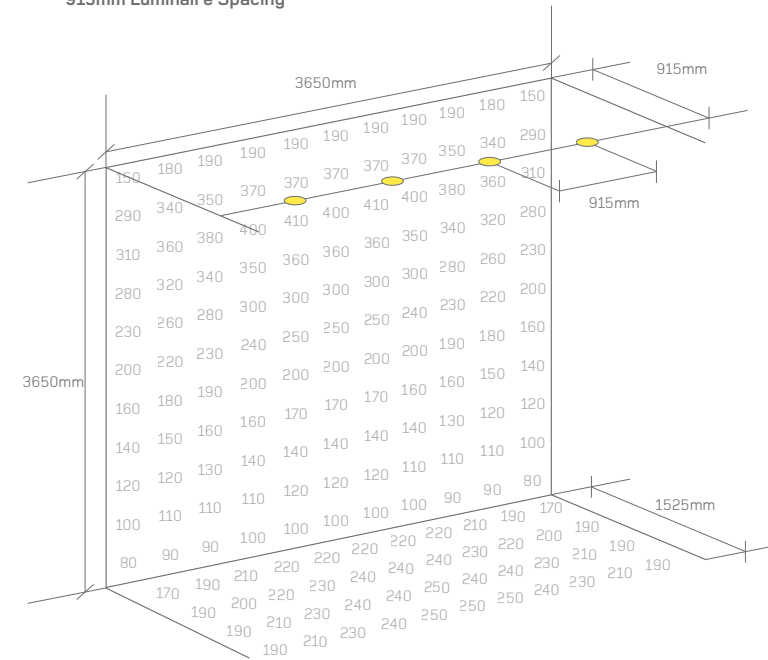
Values in millimeters

2700mm Ceiling, Typical 915mm Offset, 915mm Luminaire Spacing



This page shows typical offsets and luminaire spacings and the resulting illumination which can be expected on the wall and floor. The following page shows results at different offsets and luminaire spacings.

3650mm Ceiling, Typical 915mm Offset, 915mm Luminaire Spacing



Values in Lux

Calculated on the following basis:

Reflectances	Maintenance Factor	LED	Diffuser
Ceiling 70%	1.0	1512lm*	Custom Micro-Prismatic
Walls 50%		3000 Kelvin	Wash Lens
Floor 20%		90 CRI	

100 ProTools D Downlight
All Covers

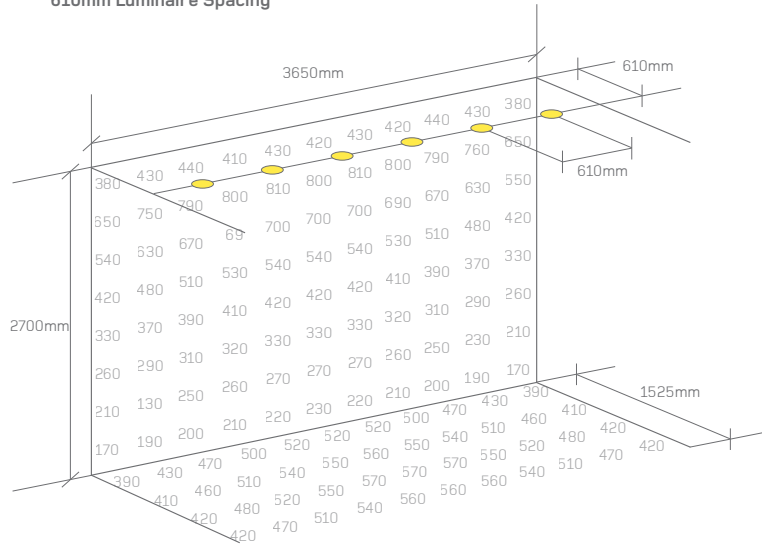
Product Details 76-77

*Lumen data correct at the time of print. Source lumens shown. For up to date lumen data refer to specsheet.

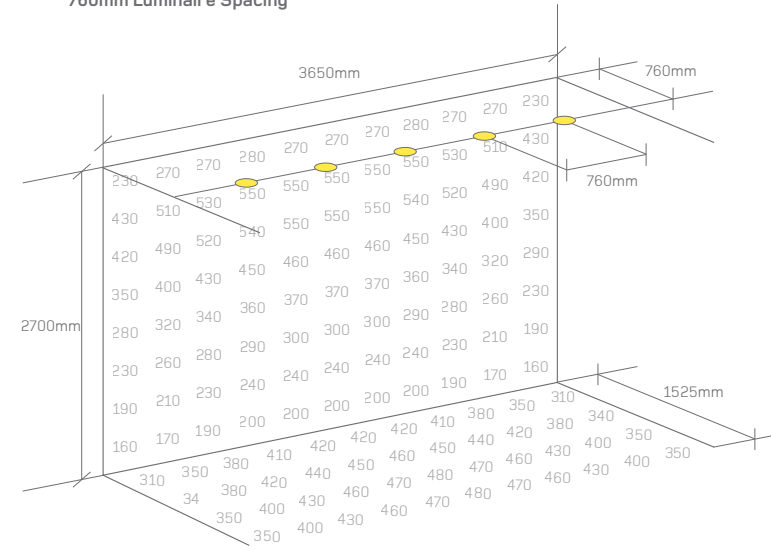
100 ProTools D Downlight - High Angle Illumination

WG 100SPTD, WG 100RPTD

**2700mm Ceiling, Optimal 610mm Offset,
610mm Luminaire Spacing**

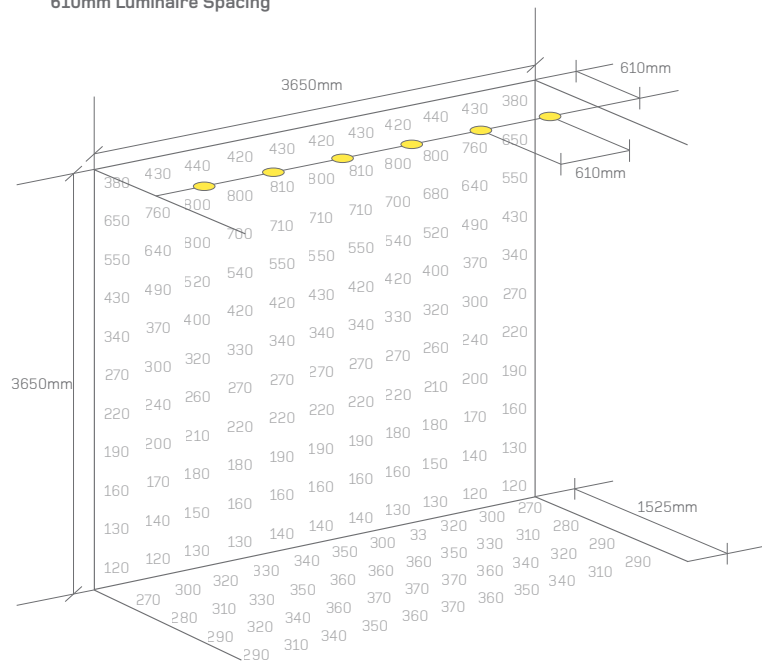


**2700mm Ceiling, Optimal 760mm Offset,
760mm Luminaire Spacing**



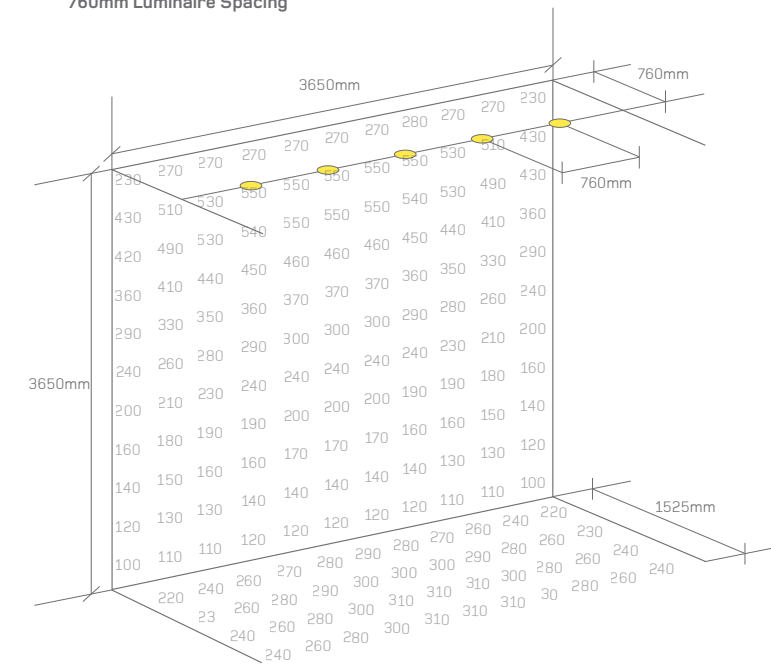
This page shows what we feel are the optimal offsets and luminaire spacings to achieve even illumination.

**3650mm Ceiling, Optimal 610mm Offset,
610mm Luminaire Spacing**



Values in Lux

**3650mm Ceiling, Optimal 760mm Offset,
760mm Luminaire Spacing**



Values in Lux

Calculated on the following basis:

**100 ProTools D Downlight
All Covers**

Reflectances	Maintenance Factor	LED	Diffuser
Ceiling 70%	1.0	1512lm*	Custom Micro-Prismatic
Walls 50%		3000 Kelvin	Wash Lens
Floor 20%		90 CRI	

Product Details 76-77

*Lumen data correct at the time of print. Source lumens shown. For up to date lumen data refer to specsheet.