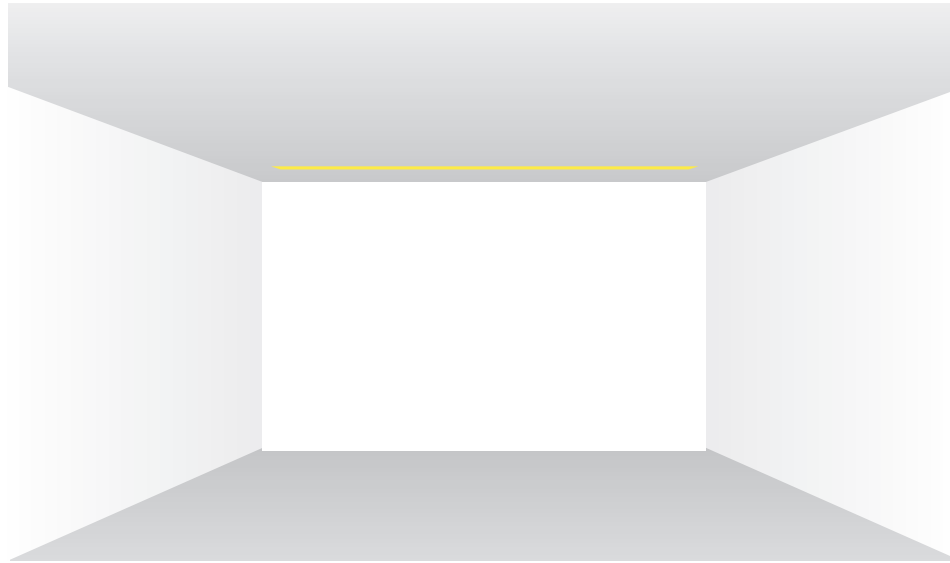


# 20 Linear - High Angle Illumination

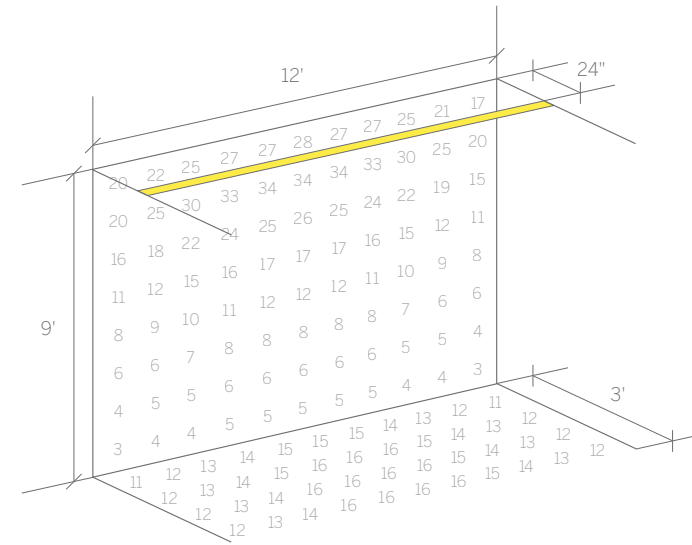
WG 20LDL-RPT, WG 20LDL-RBT, WG 20LDL-SM, WG 20LUC-SM



The 20 Linear is a versatile product. In its simplest form it is a recessed or surface mounted continuous linear strip of light.

It can be used for general illumination, or lighting within architectural details, or to illuminate specific surfaces. Below you can see the effect on a wall when a 20LDL-RPT, RBT or SM is mounted at relatively close offset to a wall.

9' Ceiling, 24" Optimum Offset



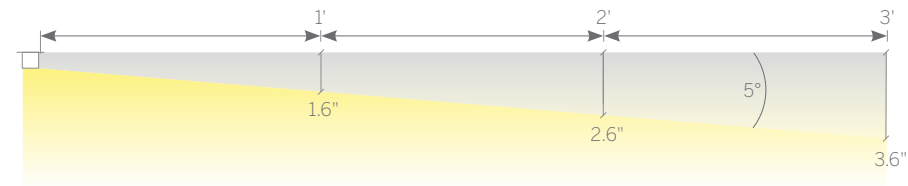
These diagrams indicate light levels to be expected on the wall and floor when using these luminaire types at various distances from the wall.

This page shows what we feel are the optimum offsets for the ceiling heights as shown.

The following page shows results at different offsets.

## Angle of Illumination / High Angle Lighting Performance

WG 20LDL-SM, WG 20LUC-SM



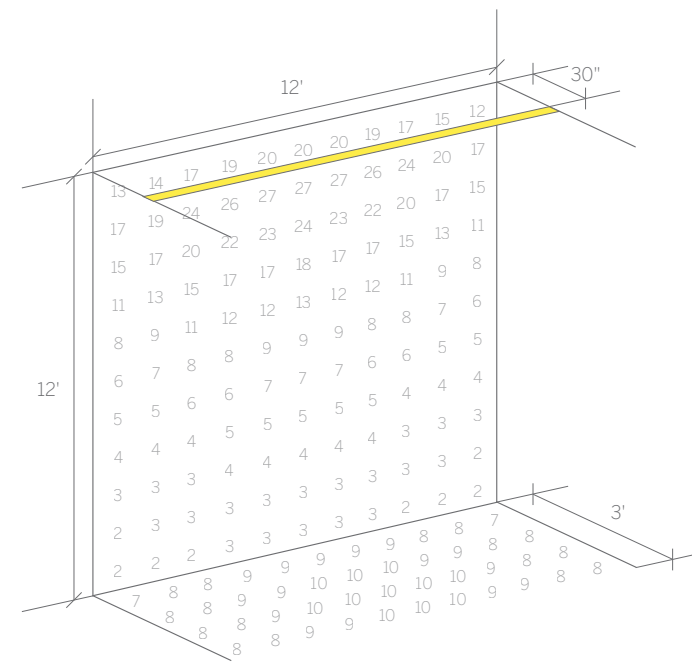
The diagrams show the point at which the contrast between the lit and the unlit perpendicular surface occurs as a soft transition line, at various distances from the luminaire.

Values in feet & inches

WG 20LDL-RPT-S, WG 20LDL-RBT



12' Ceiling, 30" Optimum Offset



Values in Foot Candles

Calculated on the following basis:

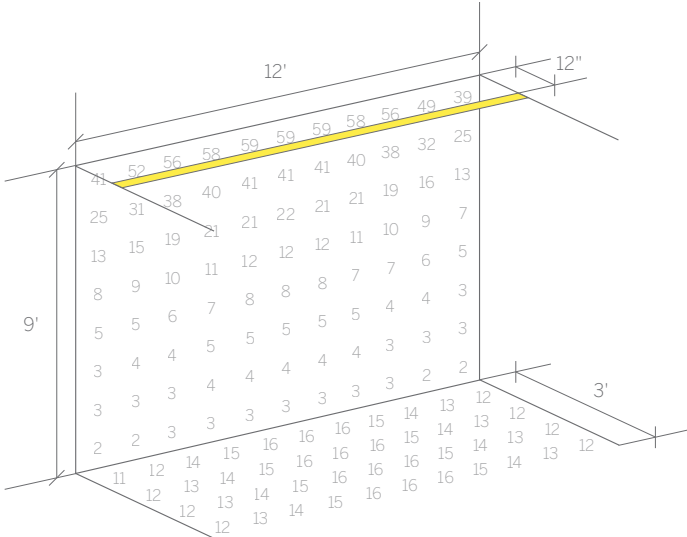
Reflectances	Maintenance Factor	LED	Diffuser
Ceiling 70%	1.0	579lm/ft*	Satin Opal
Walls 50%		3000 Kelvin	
Floor 20%		90 CRI	

20 Linear Plaster Trim	Product Details	120	20 Linear Surface Mount	Product Details	124-127
20 Linear Bezel Trim <td>Product Details</td> <td>122</td> <td>20 Linear Under Cabinet</td> <td>Product Details</td> <td>144</td>	Product Details	122	20 Linear Under Cabinet	Product Details	144

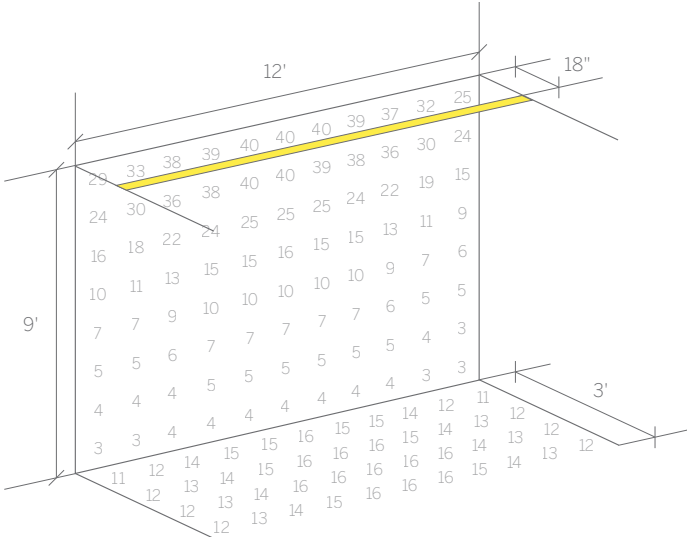
# 20 Linear - High Angle Illumination

WG 20LDL-RPT, WG 20LDL-RBT, WG 20LDL-SM, WG 20LUC-SM

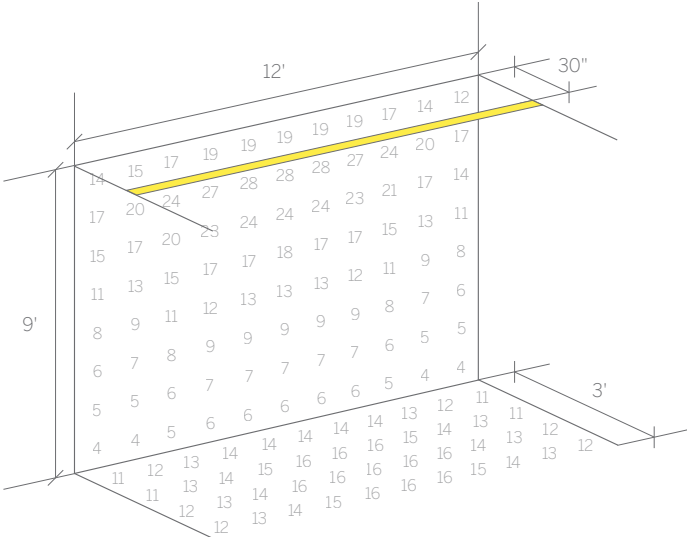
9' Ceiling, 12" Offset



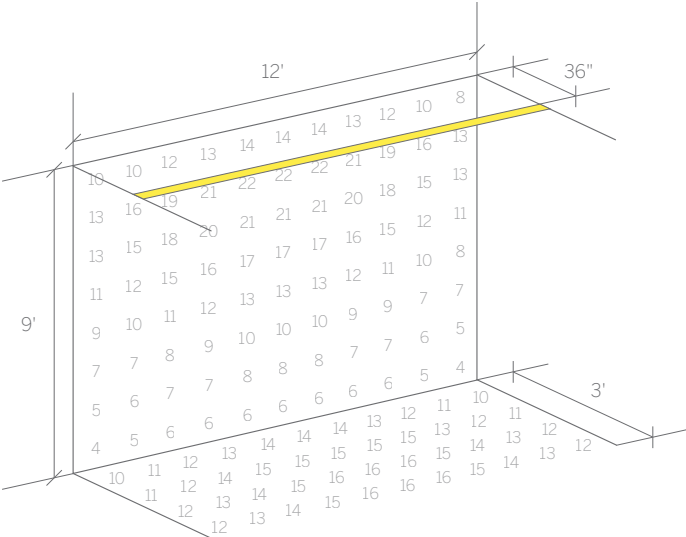
9' Ceiling, 18" Offset



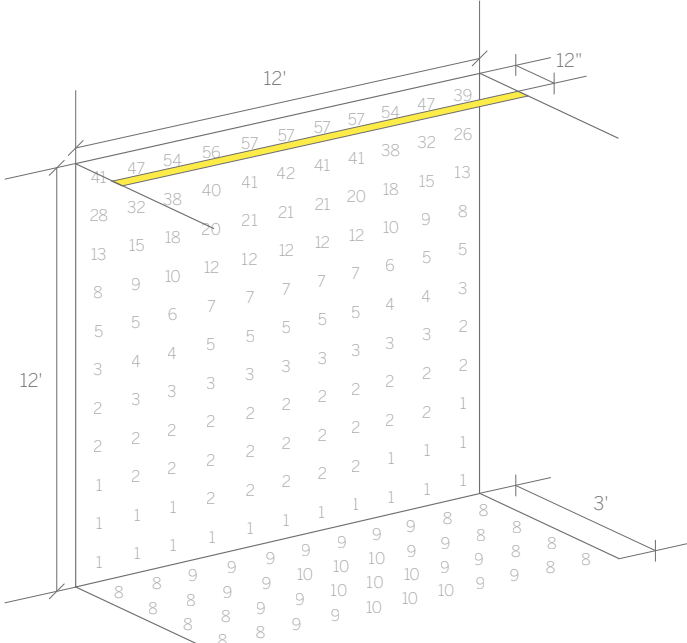
9' Ceiling, 30" Offset



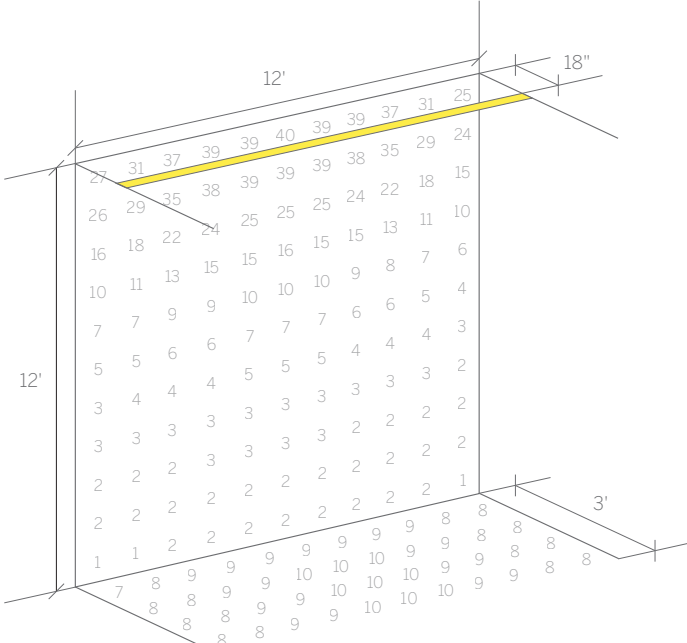
9' Ceiling, 36" Offset



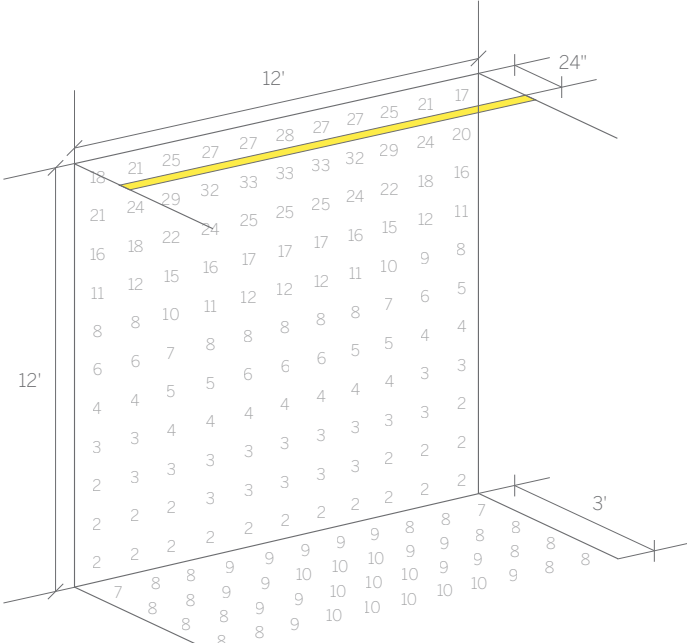
12' Ceiling, 12" Offset



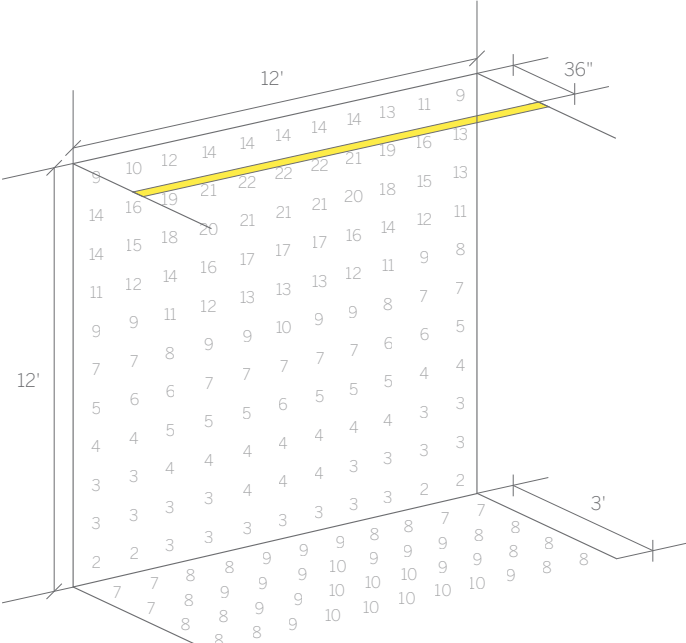
12' Ceiling, 18" Offset



12' Ceiling, 24" Offset



12' Ceiling, 36" Offset



Values in Foot Candles

Values in Foot Candles

<b>20 Linear Plaster Trim</b>	Product Details	120	<b>20 Linear Surface Mount</b>	Product Details	124-127
<b>20 Linear Bezel Trim</b>	Product Details	122	<b>20 Linear Under Cabinet</b>	Product Details	144

Calculated on the following basis:

<b>Reflectances</b>	<b>Maintenance Factor</b>	<b>LED</b>	<b>Diffuser</b>
Ceiling 70%	1.0	579lm/ft*	Satin Opal
Walls 50%		3000 Kelvin	
Floor 20%		90 CRI	