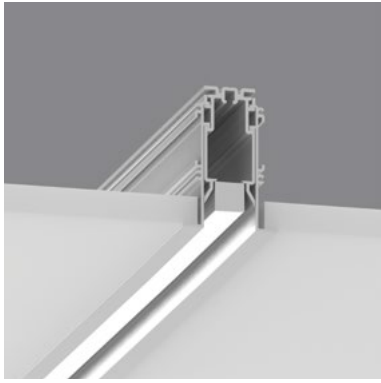
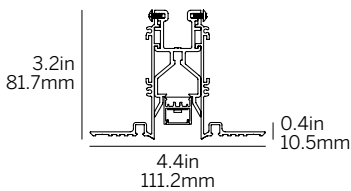


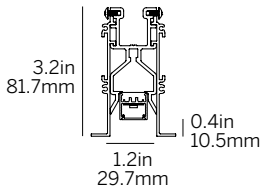
20 Linear Recessed Flush Lens



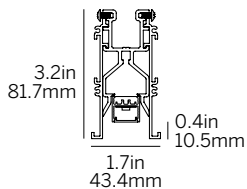
Ordering Information									
Model	Fixation	Pattern ¹	Length	Power ²	CRI/CCT ³	Driver ⁴	Lens	Finish	Options
WG-20LRF	RPT RBT RRT RGT9 RGT15	S P	A A x B A x B x C A x B x A x B	L M	927 930 935 940	X S D010 L3DAE L3DOE DFPN	OD (std) SD	W (std) B G F	BEC FEC PEC



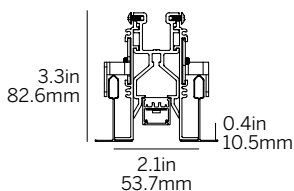
Recessed Plaster Trim (RPT)



Recessed Bezel Trim (RBT)



Recessed Return Trim (RRT)



Recessed Grid Trim (RGT9/RGT15)

Luminaire

- Continuous, evenly illuminated snap-in lens almost flush to the ceiling plane.
- Opal Diffuser for even illumination and no LED appearance. Satin diffuser for high efficiency and minimum LED appearance.
- Field replaceable LED boards.
- 90+ CRI, 3 steps MacAdam.
- Lengths and angles factory cut to exact field dimensions specified to 0.25".
- Standard and custom corners.
- Supplied with 4' class 2 plenum rated feed cable per fixture lengths.

Fixation

- RPT = Recessed plaster trim
- RBT = Recessed bezel trim
- RRT = Recessed return trim
- RGT9 = Recessed grid trim 9/16"
- RGT15 = Recessed grid trim 15/16"

Pattern¹

- S = Straight run
- P = Standard patterns 2, 3 or 4 sided with 90° corners on the same plane.

Length

- A, B, C = specify inches to the nearest 0.25" (i.e. 72.25") For patterns specify each length (i.e. 2 sided: A x B = 72.25" x 48"; 3 sided: A x B x C; 4 sided: A x B x A x B)

Power²

- L = 3.2W/ft low power (24V)
- M = 6.4W/ft mid power (24V)

CRI/CCT³

- 90+ CRI (low/mid power)
- 927 = 2700K, (188/348 lm/ft)
- 930 = 3000K, (194/359 lm/ft)
- 935 = 3500K, (198/366 lm/ft)
- 940 = 4000K, (200/370 lm/ft)

Driver (remote)⁴

- X = No driver, ordered separately
- S = Standard driver 120-277V
- D010 = Osram, 10%, 0-10V dimming, 120-277V
- L3DAE = Lutron Hi-lume 1% EcoSystem, 120-277V
- L3DOE = Lutron Hi-lume Premier 0.1% EcoSystem, 120-277V
- DFPN = Lutron Forward Phase 1%, 120VAC

Lens

- OD = Satin opal diffuser (standard)
- SD = Satin clear diffuser (high efficiency)

Finish

- W = White, 20% gloss, RAL9010 (standard)
- B = Black, 20% gloss
- G = Gray, 20% gloss
- F = Custom finished trim, specify RAL

Options

- BEC = Bezel end caps
- FEC = Flat end caps
- PEC = Plaster-in end caps

Emergency

- Emergency LED driver available, order separately.

¹ See pattern spec sheet.

² Wattage shown does not include power supplies/drivers.

³ Delivered lumens with satin opal diffuser shown.

⁴ Remote power supply required. See power supply page for details.