



Plaster Trim



Bezel Trim

Ordering Information

Model	Fixation	Pattern	Length	Power ²	CRI/ CCT ³	Driver ⁴	In-fill	Lens	Finish	Options
WG-ZC								SD		
WG-ZC	RPT RBT RGT9 RGT15	S ¹ PC ² PR ² PZ ²	A A x B A x B x C A x B x A x B	L M H	927 930 935 940	X SW D010 DALI LE	X P4 P5	SD (std)	W (std) B G F	LEC REC LREC

Luminaire

- Linear perimeter slot system featuring plaster-in or bezel precision knife edge for clean, minimal effect.
- Suitable for 5/8" drywall ceiling.
- Lengths and angles factory cut to exact field dimensions.
- Mitered corners available with continuous LED illumination.
- Powder coat painted white - RAL 9010
- Optional adjustable In-Fill panel to accommodate 4" - 6" slot.
- Micro-refractive satin diffuser guides light further down the wall.

Fixation

- RPT = Recessed Plaster Trim
- RBT = Recessed Bezel Trim
- RGT9 = Recessed Grid Trim 9/16"
- RGT15 = Recessed Grid Trim 15/16"

Pattern

- S = Straight run
- PC = Standard patterns coffer 2, 3 or 4 sided with 90° corners¹
- PR = Standard patterns raft 2, 3 or 4 sided with 90° corners¹
- PZ = Non-standard patterns and/or corners other than 90°, consult factory¹

Length

- A, B, C = specify inches to the nearest 0.25" (6.35mm), i.e. 72.25" (1835mm)
For patterns specify each length, i.e. 2 sided:
A x B = 72.25" (1835mm) x 48" (1220mm);
3 sided:
A x B x C; 4 sided: A x B x A x B)

Power²

- L = 10.5W/m low power (24V)
- M = 21W/m mid power (24V)
- H = 35W/m high power (24V)

CCT / CRI³

- 90+ CRI minimum (Low/Mid/High)
- 927 = 2700K, (840/1551/2315 lm/m)
 - 930 = 3000K (866/1600/2388 lm/m)
 - 935 = 3500K, (886/1633/2437 lm/m)
 - 940 = 4000K, (892/1650/2460 lm/m)

Driver⁴

- X = Driver ordered separately
- SW = Switched/NON DIM
- D010 = 0-10/1-10V DIM
- DALI = DALI DIM
- LE = Leading-Edge DIM

In-fill

- X = No in-fill panel
- P4 = 4" (100mm) - 5" (130mm) adjustable in-fill panel
- P5 = 5" (130mm) - 6" (150mm) adjustable in-fill panel

Lens

- SD = Satin clear diffuser (standard)

Finish

- W = White, 20% gloss, RAL9010 (standard)
- B = Black, 20% gloss
- G = Gray, 20% gloss
- F = Custom finished trim, specify RAL

Options

- LEC = Left end cap
- REC = Right end cap
- LREC = Left & Right end caps

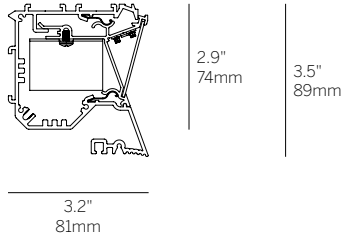
Emergency

- Contact factory for emergency lighting options

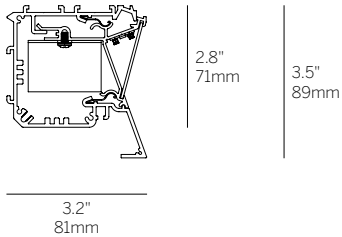
¹ See pattern spec sheet. Standard setup assumes the cove ends at a perpendicular wall and the led board is setback from the end to minimize light on the perpendicular wall. Contact us for options.

² Wattage shown does not include power supplies/drivers.

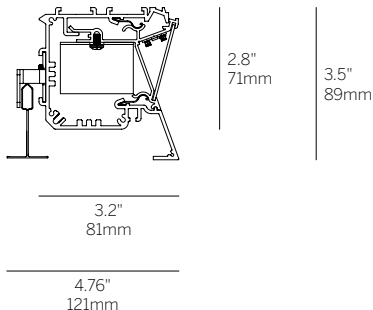
³ Delivered lumens with satin clear diffuser shown.



Plaster Trim (RPT)



Bezel Trim (RBT)



Grid Trim (RGT9/RGT15)

