

***Direct/Indirect
Specify one from each**

- ex 1: - L1 - D010 - SD
- ex 2: - M3 - SW - SD

Power/CRI/CCT			Driver ⁴	Lens	
L	M	H	X	OD	
927	L1	M1	H1	SW	SD
930	L2	M2	H2	D010	
935	L3	M3	H3	DALI	
940	L4	M4	H4	LE	

Ordering Information

Model	Fixation	Pattern	Length	Direct*	Indirect*	Finish	Options
WG-60LD-S direct	48	S	A	Specify options using chart below* See ex 1: L1 - D010 - SD	Specify options using chart below* See ex 2: M3 - SW - OD	W (std) B G F	DC
WG-60LI-S indirect	96	P ¹	A x B				
WG-60LDI-S direct/indirect		PZ ¹	A x B x C A x B x A x B				

Luminaire

- Continuous, evenly illuminated snap-in lens without visible LED pattern.
- Standard Opal Diffuser for even illumination, Satin Diffuser for high efficiency and minimal LED appearance.
- Field replaceable LED boards.
- 90+ CRI, 3 steps MacAdam.
- Lengths and angles factory cut to exact field dimensions.
- Standard and custom corners.
- Single circuit standard, dual circuit optional. (see options).
- Powder coat painted white - RAL 9010.

Fixation

- 48 = 48" (1220mm) suspension cable (standard)
- 96 = 96" (2440mm) suspension cable, field-cuttable

Pattern

- S = Straight run
- P = Standard patterns 2, 3 or 4 sided with 90° corners on the same plane¹
- PZ = Non-standard patterns and/or corners other than 90° on multiple planes, consult factory¹

Length

- A, B, C = specify inches to the nearest 0.25" (6.35mm), i.e. 72.25" (1835mm)
For patterns specify each length, i.e. 2 sided:
A x B = 72.25" (1835mm) x 48" (1220mm);
3 sided:
A x B x C; 4 sided: A x B x A x B)

Power²

- L = 10.5W/m low power (24V)
- M = 21W/m mid power (24V)
- H = 34W/m high power (24V)

CRI/CCT³

- 90+ CRI (low/mid/high power)
 - 927 = 2700K, (567/1052/1568 lm/m)
 - 930 = 3000K, (587/1086/1617 lm/m)
 - 935 = 3500K, (600/1105/1650 lm/m)
 - 940 = 4000K, (603/1118/1666 lm/m)

Driver (integral)⁴

- X = Driver ordered separately
- SW = Switched/NON DIM
- D010 = 0-10/1-10V DIM
- DALI = DALI DIM
- LE = Leading-Edge DIM

Lens

- OD = Satin opal diffuser (standard)
- SD = Satin clear diffuser (high efficiency)

Finish

- W = White, 20% gloss, RAL9010 (standard)
- B = Black, 20% gloss
- G = Gray, 20% gloss
- F = Custom finished trim, specify RAL

Options

- DC = Dual circuit

Emergency

- Emergency LED driver available, order separately.

¹ See pattern specsheet.

² Wattage shown does not include power supplies/drivers.

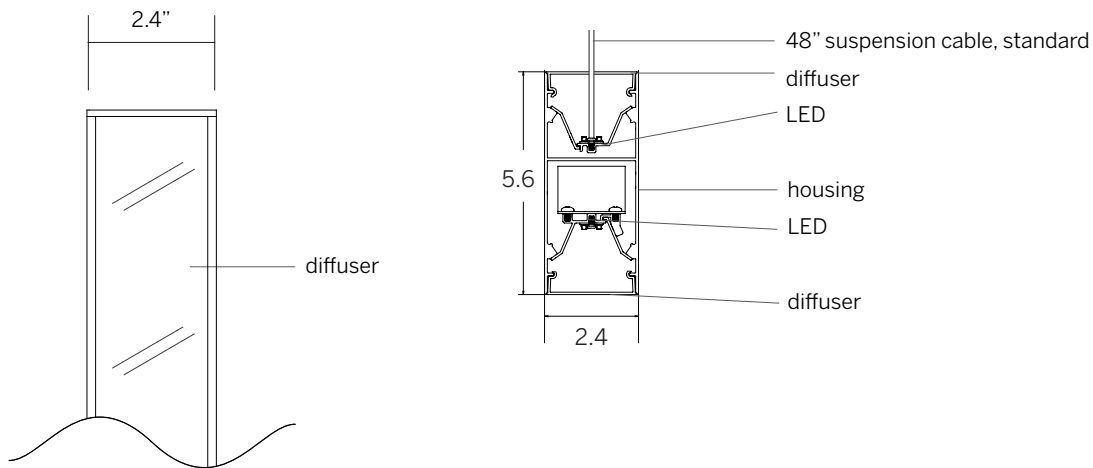
³ Delivered lumens with satin opal diffuser shown in one direction.

⁴ Remote power supply required. See power supply page for details.



60 Linear Suspended Direct / Indirect LED

Dimensions



Installation

