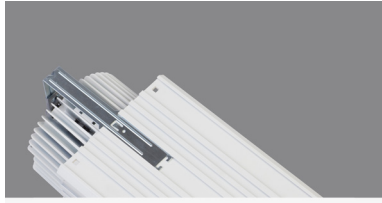


150 Square Wall Wash

whitegoods

Project Title:

Luminaire Ref:



plaster-in

Ordering Information					
Code	Module	Diffuser	Driver	Voltage	Emergency
P150SWW* plaster-in	LVC* low voltage capsule CDM-TC* ceramic discharge metal halide CFL* compact fluorescent	FRG* frosted glass FRP frosted polycarbonate CLG clear glass SCG sculpture glass MPG micro prismatic glass	ND non-dim 1-10V* 1-10 Volt dim TR* trailing edge dim DALI* DALI protocol DSI Digital	220-240V standard 120-277V universal	EMND non-dim

* Items available for Quickship

Product Description

A 150 x 225mm rectangular wall wash luminaire with bezel trim or trimless 'plaster-in' for absolute minimal visual impact. Available with various adjustable diffusers for flush and regressed applications.

Lamp

LVC: low voltage capsule
Type: QTax-12
Base: GY6.35
Lamp power: 20-90W
Lamp lumens: 320-1800 lm

CDM: Ceramic discharge metal halide
Type: CDM-TC
Base: G8.5
Lamp power: 35-70W
Lamp lumens: 2200-6000 lm

CFL: Compact fluorescent
Type: TC-TEL
Base: GX24Q-3
Lamp power: 26-32W
Lamp lumens: 1800-2400 lm

Cut-out

170 x 245 mm

Driver

- ND: non-dimming
- 1-10V: 1-10 Volt dimming, min 10% (excludes ceramic discharge halide)
- TR: trailing edge dimming (low voltage only)
- DALI: DALI protocol, min 10% (excludes ceramic discharge halide)
- DSI: Digital (excludes ceramic discharge halide)

Voltage

220-240V AC 50-60Hz
120-277V universal AC 50-60Hz

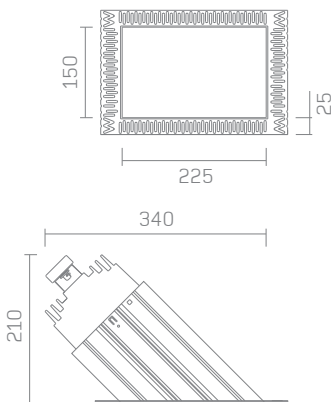
Emergency

- EMND: emergency non-dimmable (available for LVC and CFL only)

Note

- Indicative lamp information shown. Consult lamp manufacturer for current information.
- 32W CFL only available in the flush position only.

Please contact Whitegoods for further lamp specifications.



Specifier Details