

# Light Strip

whitegoods

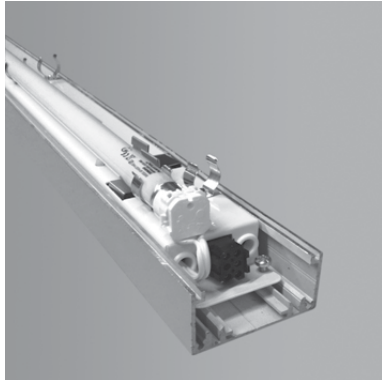
Project Title: .....

Luminaire Ref: .....



Press to send

Send form to whitegoods



## Ordering Information

Code	Length mm	Power Supply	Voltage	Emergency
LSL	Specify length length (mm)	ND* non-dim 1-10V 1-10 Volt dim DALI DALI protocol DSI Digital	220-240V* standard 120 - 277V universal	EMND non-dim EMST self-test EMDA DALI

\* Items available for Quickship

### Product Description

A uniquely flexible system for concealment within architectural details, surface mounted in any position.

### Lamp

T5 fluorescent  
Base: G5  
Lamp power: 14W  
Lamp lumens: 1200 lm  
Information shown based on one T5 lamp

### Power Supply

- ND: non dimming
- 1-10V: 1-10 Volt dimming, min 10%
- DALI: DALI protocol, min 10%
- DSI: Digital

### Voltage

220-240V AC 50-60Hz  
120-277V universal AC 50-60Hz

### Emergency

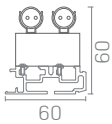
EMND: emergency non-dimmable  
EMST: emergency self-test  
EMDA: emergency DALI protocol

### Finish

Standard product finish is white powder coated RAL 9010 with 30% gloss.

### Note

Indicative lamp information shown. Consult lamp manufacturer for current information.



## Specifier Details

