

150 Round Downlight LED

whitegoods

Project Title:

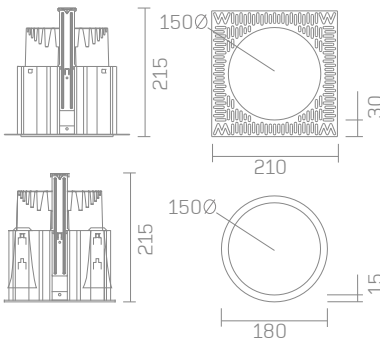
Luminaire Ref:



plaster-in



bezel



Ordering Information							
Frame	LED ¹	Rated Lumens	Beam ^o	Voltage ²	Power Supply	Diffuser	Options
WG-P150RDL plaster-in	80 CRI XTD-827	4000 34.2W	30° 43°	STD UNV	S D010 D110 DALI	CG FR MP	EM
	XTD-830	3000					
WG-B150RDL bezel trim	XTD-835	25.7W					
	XTD-840	2000 15.2W 1490 10.6W					
	95 CRI XTD-927	3000 30.5W					
	XTD-930	2000					
	XTD-935	20.0W					
	XTD-940	1300 13.3W					

For North America specification please visit inter-lux.com/products/150-round-downlight/

Luminaire

- Bezel trim or trimless 'plaster-in' round for drywall ceilings.
- Installation from below for refurbishment or new construction.
- 'Easy click' tool free installation of diecast aluminum lamp insert module.
- Diecast aluminum trim housing with heavy gauge galvanized steel yoke with removable jbox from below ceiling.
- Pre-wired with a 'Plug and Play' electrical connection.
- Adjustable frosted diffuser (standard) with flush or regressed position.
- Powder coat painted white - RAL 9010.
- Luminaires rated at 40° maximum ambient temperature.

LED¹

Xicato XTM 80 Series, 80 CRI

- XTD-827 = 2700K
- XTD-830 = 3000K
- XTD-835 = 3500K
- XTD-840 = 4000K

Xicato XTM Artist Series, 95 CRI

- XTD-927 = 2700K
- XTD-930 = 3000K
- XTD-935 = 3500K
- XTD-940 = 4000K

Rated Lumens³

Xicato XTM 80 Series

- 4000 = 4000 lm @ 1400mA, 34.2W
- 3000 = 3000 lm @ 1050mA, 25.7W
- 2000 = 2000 lm @ 700mA, 15.2W
- 1490 = 1490 lm @ 500mA, 10.6W

Xicato XTM Artist Series

- 3000 = 3000 lm @ 1050mA, 30.5W
- 2000 = 2000 lm @ 1050mA, 20.0W
- 1300 = 1300 lm @ 700mA, 13.3W

Beam^o

- 30 = 30° accent illumination
- 43 = 43° general illumination

Voltage²

- STD = 220-240V
- UNV = 120-277V (excludes N. America)

Power Supply (integral)

- S = Standard driver, non-dimming
- D010 = 0-10V dimming, min 1%
- D110 = 1-10 Volt dimming, min 1%
- DALI = DALI protocol, min 1%

Diffuser (frosted diffuser standard)

- CG = clear glass
- FR = frosted diffuser
- MP = micro prismatic glass

Options

- EM = Contact factory for emergency lighting options

Notes

- 1 Other lumen packages available, consult factory.
- 2 For specification of Whitegoods products in North America please visit inter-lux/whitegoods
- 3 Manufacturer LED module detail shown. Refer to photometry data for delivered lumens (LM79-08 results) on the Whitegoods website.

Specifier Details



Whitegoods reserves the right to make technical alterations without notice.
w: www.whitegoods.com e: info@whitegoods.com

(930-20199-REVA)