

150 Round Downlight LED

whitegoods

Project Title:

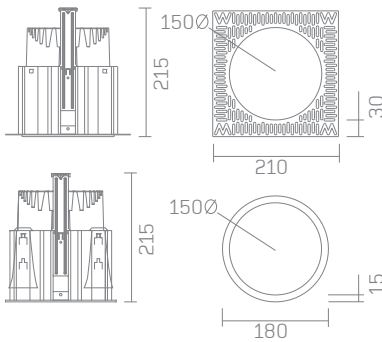
Luminaire Ref:



plaster-in



bezel



Specifier Details

Product Codes & Description (Ordering information)

| Frame | LED module | Beam ° | Diffuser | Dimming | Voltage | Emergency |
|---|---|-------------------------------|---|--|---|--|
| P150RDL* plaster-in B150RDL* bezel | XI-830-3000 80 CRI 45W Up to 3000 lm | Xicato 14° 52°* | FRG* frosted glass FRP frosted polycarbonate CLG clear glass | ND non-dim 0-10V 0-10 Volt dim 1-10V 1-10 Volt dim TR trailing edge dim | 220-240V standard 120 - 277V universal | EMND non-dim EMST self-test EMDA DALI |
| | XI-930-2000* 90 CRI 43.2W Up to 2000 lm | Citiled 12° 38° 72°* | SCG sculpture glass MPG micro prismatic glass | DALI DALI protocol | | |
| | CL-830-4000 80 CRI 39.4W Up to 4000 lm | | | | | |
| | CL-930-3000 97 CRI 39W Up to 3000 lm | | | | | |

* Items available for Quickship

Product Description

A 150mm round recessed luminaire with bezel trim or trimless 'plaster-in' for absolute minimal visual impact. Available with various adjustable diffusers for flush and regressed applications

Finish

Standard product finish is white powder coated RAL 9010 with 30% gloss.

Cut-out

Ø 170mm



Example LED module codes

XI-830-2000

XI = Xicato

830 = 80CRI, 3000K colour temperature

2000 = up to 2000 lumen package

XI-927-1300

XI = Xicato

927 = 95CRI, 2700K colour temperature

1300 = up to 1300 lumen package

CL-830-4000

CL = Citiled

830 = 80CRI, 3000K colour temperature

4000 = up to 4000 lumen package

Examples of typical output options

Module XI-827/830/840

Run @ 1050mA = 2000lm, 28.8W

Run @ 700mA = 1420lm, 18.5W

Module XI-927/930/940

Run @ 1050mA = 1300lm, 27.7W

Run @ 700mA = 930lm, 17.8W

Module CL-827/830/940

Run @ 1050mA = 4000lm, 39W

Run @ 700mA = 2800lm, 25W

Run @ 500mA = 2100lm, 17.4W

Dimming

- ND: non-dimming
- 0-10V: 0-10 Volt dimming, min 0.1%
- 1-10V: 1-10 Volt dimming, min 0.1%
- TR: trailing edge dimming
- DALI: DALI protocol, min 0.1%

All drivers are suitable for remote mounting up to 10 meters from fixture. Longer distances are available on request. Minimum ceiling depths apply, contact Whitegoods for further details.

Emergency

EMND: emergency non-dimmable

EMST: emergency self-test

EMDA: emergency DALI protocol

Notes

- Manufacturing LED module detail shown. Refer to photometry data for LM79-08 results.
- All LED modules available in 2700, 3000, 3500 and 4000 Kelvin.
- Xicato and Citiled modules can be underrun.
- Luminaires rated at 40°C maximum ambient temperature.

Please contact Whitegoods for further LED specifications.