

# 100 Square Floor Wash LED

whitegoods

Project Title: .....

Luminaire Ref: .....



plaster-in



bezel

## Product Codes & Description (Ordering information)

Frame	LED module	Dimming	Voltage	Emergency
<b>P100SCFW*</b> plaster-in	<b>CL-830-600</b> 80 CRI 6.4W	<b>ND</b> non-dim	<b>220-240V</b> standard	<b>EMND</b> non-dim
<b>B100SCFW*</b> bezel	600 lm	<b>0-10V</b> 0-10 Volt dim <b>1-10V</b> 1-10 Volt dim <b>TR</b> trailing edge dim <b>DALI</b> DALI protocol	<b>110V</b> universal	<b>EMST</b> self-test <b>EMDA</b> DALI

\* Items available for Quickship

### Product Description

A 100mm high level ceiling wash luminaire with absolute minimal visual impact.

### Finish

Standard product finish is white powder coated RAL 9010 with 30% gloss.

### Cut-out

115 x 115 mm

Fixture requires 80mm wall gap for installation.



### Example LED module code

CL-830-600

CL = Cited

830 = 80CRI, 3000K colour temperature

600 = up to 600 lumen package

### Examples of typical output options

Module CL-827/830/840

Run @ 350mA = 579lm, 6.4W

### Dimming

- ND: non-dimming
- 0-10V: 0-10 Volt dimming, min 0.1%
- 1-10V: 1-10 Volt dimming, min 0.1%
- TR: trailing edge dimming
- DALI: DALI protocol, min 0.1%

All drivers are suitable for remote mounting up to 10 meters from fixture. Longer distances are available on request. Additional ceiling depths apply with certain drivers, contact Whitegoods for further details.

### Emergency

EMND: emergency non-dimmable

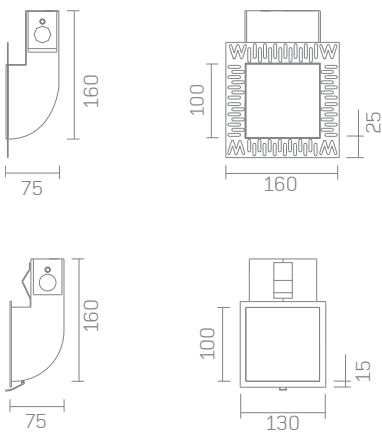
EMST: emergency self-test

EMDA: emergency DALI protocol

### Notes

- Manufacturing LED module detail shown. Refer to photometry data for LM79-08 results.
- All LED modules available in 2700, 3000, 3500 and 4000 Kelvin.
- Luminaires rated at 40°C maximum ambient temperature.

Minimum wall gap for emergency system is required, contact Whitegoods for further details.



## Specifier Details