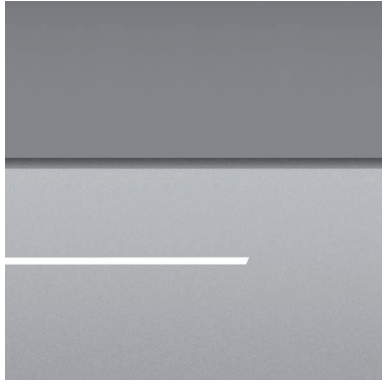


20 Linear Plaster-in LED

Project Title:

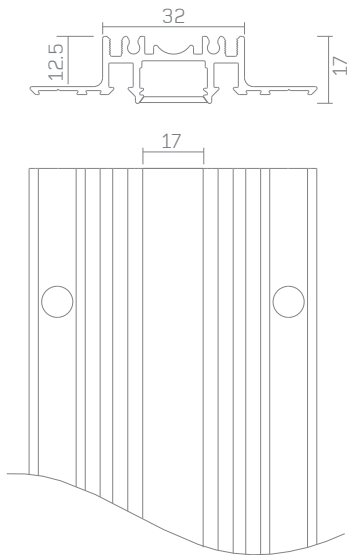
Luminaire Ref:



plaster-in

Product Codes & Description (Ordering information)						
Frame	Led module	Lumens lm/m	Length (mm)	Dimming	Voltage	Emergency
P20L plaster-in	CV-827* CV-830* CV-840 85 CRI	1117* 20.0W per meter opal diffuser 1464* 20.0W per meter clear diffuser	Specify length	ND* non-dim 0-10V 0-10 Volt dim 1-10V 1-10 Volt dim DALI DALI protocol	220-240V standard 120-277V universal	EMND non-dim EMST self-test EMDA DALI
	CC-827 CC-830* CC-840 80 CRI	1958 21.0W per meter opal diffuser 2566 21.0W per meter clear diffuser				

* Items available for Quickship



Product Description

A miniature continuous linear recessed plaster-in downlight with minimal visual impact. Can be specified to any desired length. Optimised for high efficiency LEDs.

Finish

Standard product finish is white powder coated RAL 9010 with 30% gloss.

Cut-out

40mm x (overall length + 20mm)



Example LED module code

CV-830-1117

CV = Whitegoods Constant Voltage LED
830 = 85+ CRI, 3000K colour temperature
1117 = 1117 lumens per meter delivered

Examples of typical output options

Module: CV-827 / 830 / 835/ 840
1117 lm/m running at 20.0W/m (56lm/w)
Opal diffuser 110° beam angle

Module: CV-827 / 830 / 835/ 840
1464 lm/m running at 20.0W/m (73lm/w)
Clear diffuser 97° beam angle

Module: CC-827 / 830 / 835/ 840
1958 lm/m running at 21.0W/m (93lm/w)
Opal diffuser 110° beam angle

Module: CC-827 / 830 / 835/ 840
2566 lm/m running at 21.0W/m (122lm/w)
Clear diffuser 97° beam angle

Data shown is delivered lumens (3000K)

Dimming

- ND: non-dimming
- 0-10V: 0-10 Volt dimming, min 0.1%
- 1-10V: 1-10 Volt dimming, min 0.1%
- DALI: DALI protocol, min 0.1%

All drivers are suitable for remote mounting up to 10 meters from fixture. Longer distances are available on request.

Emergency

EMND: emergency non-dimmable
EMST: emergency self-test
EMDA: emergency DALI protocol

Note

- Indicative LED information shown. Refer to photometry data for LM79-08 results.
- All LED boards available in 2700, 3000, 3500 and 4000 Kelvin.
- Luminaires rated at 40°C maximum ambient temperature.
- LED boards in increments of:
constant voltage = 25mm
constant current = 100mm
- Max product length from a single driver:
constant voltage = 4.8 meters
constant current = 1.5 meters
- Available as continuous length up to 2.4m (not suitable for upright application).
Please contact Whitegoods for further LED specifications.

Specifier Details