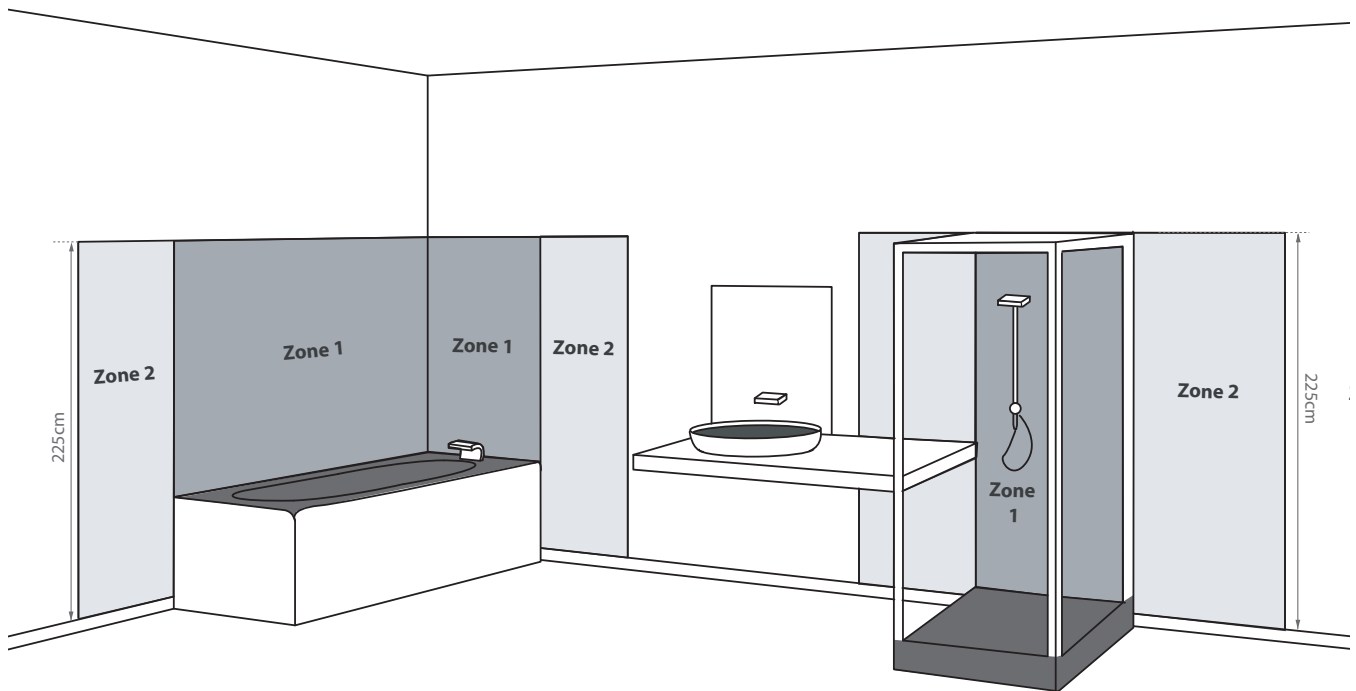


Bathroom Zones

based on BS7671 17th edition



Zone 0: This is the area inside the bath or shower and is rated at **IPx7**. For showers with no basin Zone 0 is 0.10m above the base surface or floor.



Zone 1: Refers to the area above the bath or shower up to a height of 2.25 metres and carries a minimum rating of **IPx4**.



Zone 2: Covers an area 0.6 metres wide, immediately from and around the Zone 1 border. The wash basin area should also be considered as Zone 2 although it is not regulation. The minimum rating for Zone 2 is **IPx4**.



The area outside of the Zones has no special requirements, unless water jets are likely to be used for cleaning purposes. Equipment installed outside these zones must be suitable for the conditions likely at that particular point. However sockets are not permitted within 3m of Zone 1.

ingress protection The IP code refers to the different levels of protection against dust and water which our luminaires meet. The code is defined by EN 60529 which is an international classification system and is defined by two characteristic numerals. The first indicates the protection of hazardous parts and protection of equipment against ingress of foreign solid objects. The second numeral indicates protection against harmful ingress of liquids. The full classification is shown below:

NB: Please be aware, in certain areas a specific IP rating is required (i.e. bathrooms). For further clarification please see the appropriate standards/documentation.

First Identification Number

(Degree of protection against penetration of solids)

- 0** - Not protected
- 1** - Protected against penetration of solids larger than 50mm²
- 2** - Protected against penetration of solids larger than 12mm²
- 3** - Protected against penetration of solids larger than 2.5mm²
- 4** - Protected against penetration of solids larger than 1mm²
- 5** - Protected against penetration of dust, limited ingress (no harmful deposit)
- 6** - Completely protected against penetration of dust

Second Identification Number

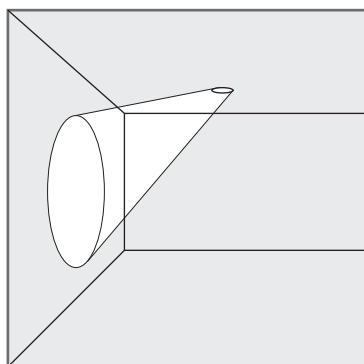
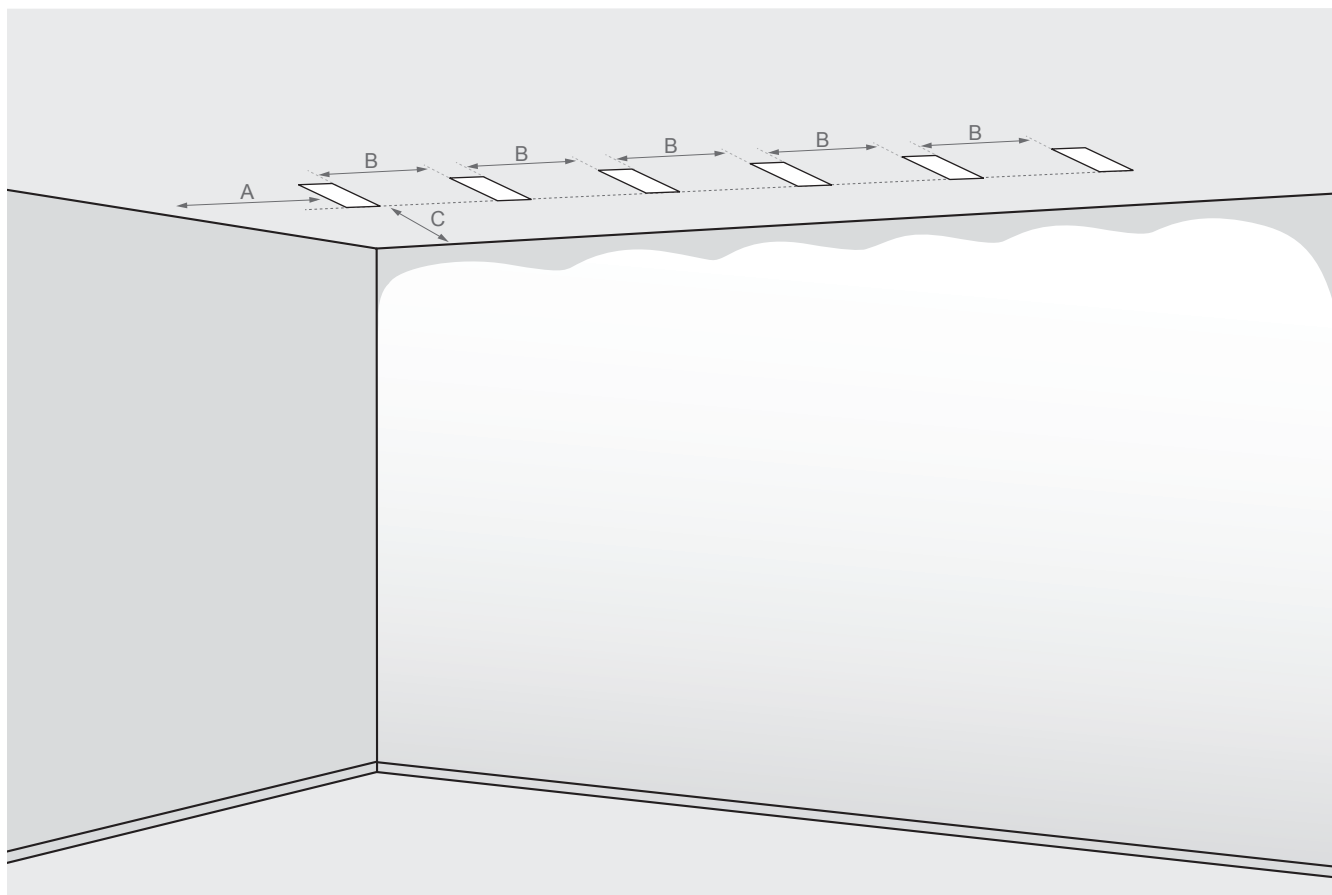
(Degree of protection against penetration of liquids)

- 0** - Not protected
- 1** - Protection against vertically falling drops of water
- 2** - Protection against direct sprays of water up to 15° from vertical
- 3** - Protection against direct sprays of water up to 60° from vertical
- 4** - Protection against water splashing from all directions – limited ingress permitted
- 5** - Protected against low pressure jets of water from all directions
- 6** - Protected against high pressure jets of water from all directions
- 7** - Protected against the effect of immersion between 15cm and 1m
- 8** - Protected against long periods of immersion under pressure

whitegoods downlights 100 and 150 round, square and linear are equivalent to IP40 protection when installed plaster-in.

whitegoods 60 square and round 'IP' designated downlights are tested to IP65.

wall wash set out guide

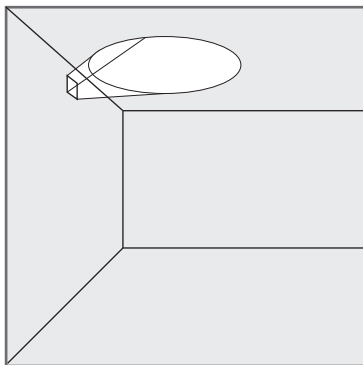
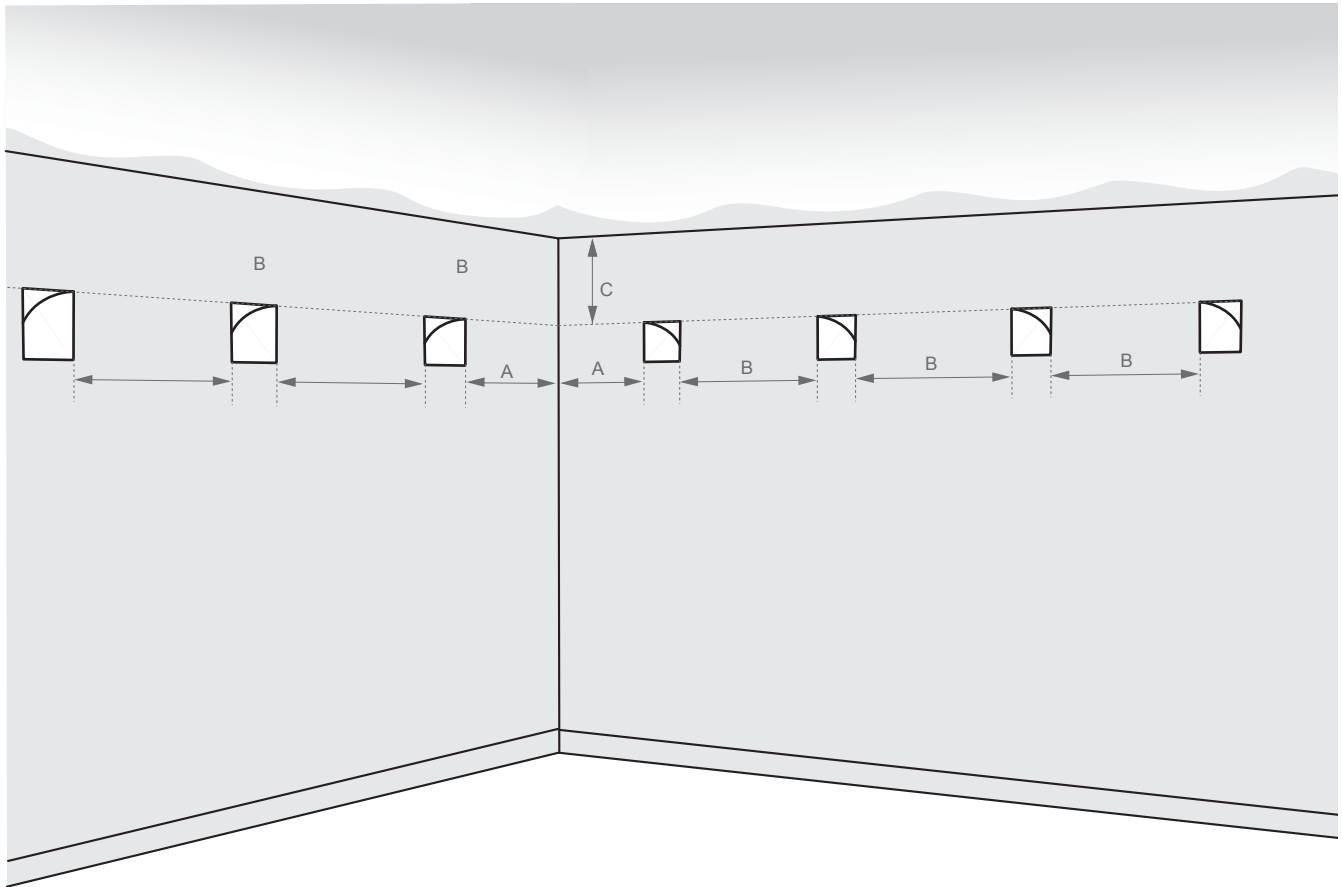


wall wash to achieve maximum "uniformity" of light using our wall wash luminaires:

- a – distance A should be half of distance B
- b – distance B should be equal between luminaires and no greater than C
- c – distance C should be no less than 600mm and no greater than 1,000mm

NB: For guidance purposes only, please consult our technical department for your particular application.

ceiling wash set out guide



ceiling wash

to achieve maximum “uniformity” of light using our ceiling wash luminaires:

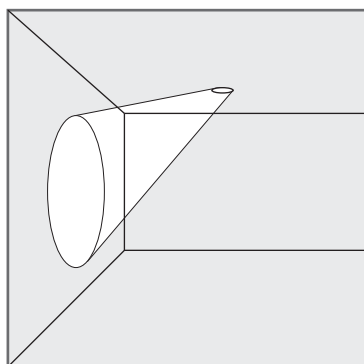
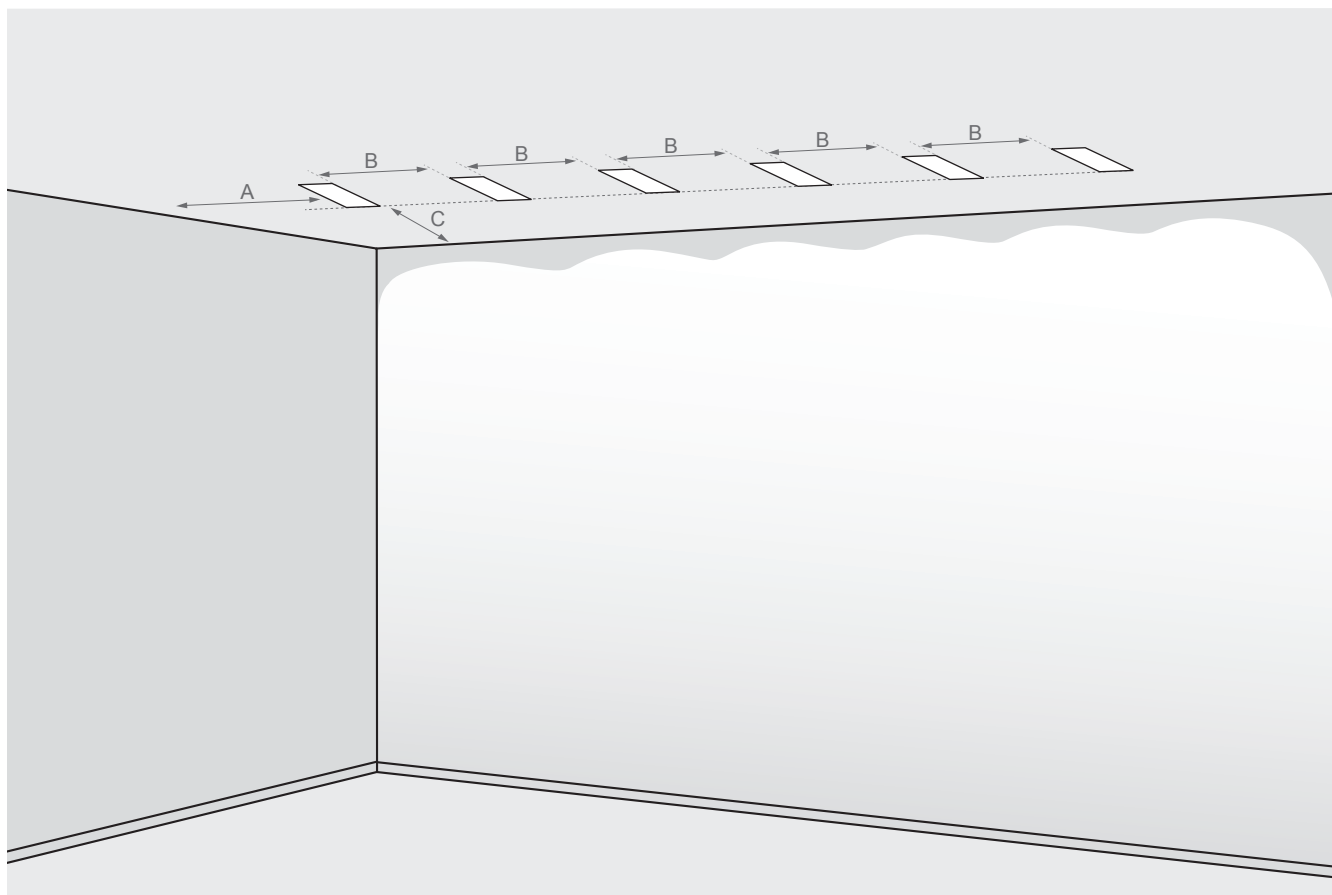
a – distance A should be half of distance B

b – distance B should be equal between luminaires and no greater than twice distance C

c – distance C should be less than 500mm

NB: For guidance purposes only, please consult our technical department for your particular application.

wall wash set out guide

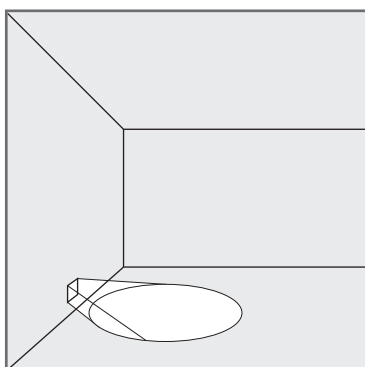
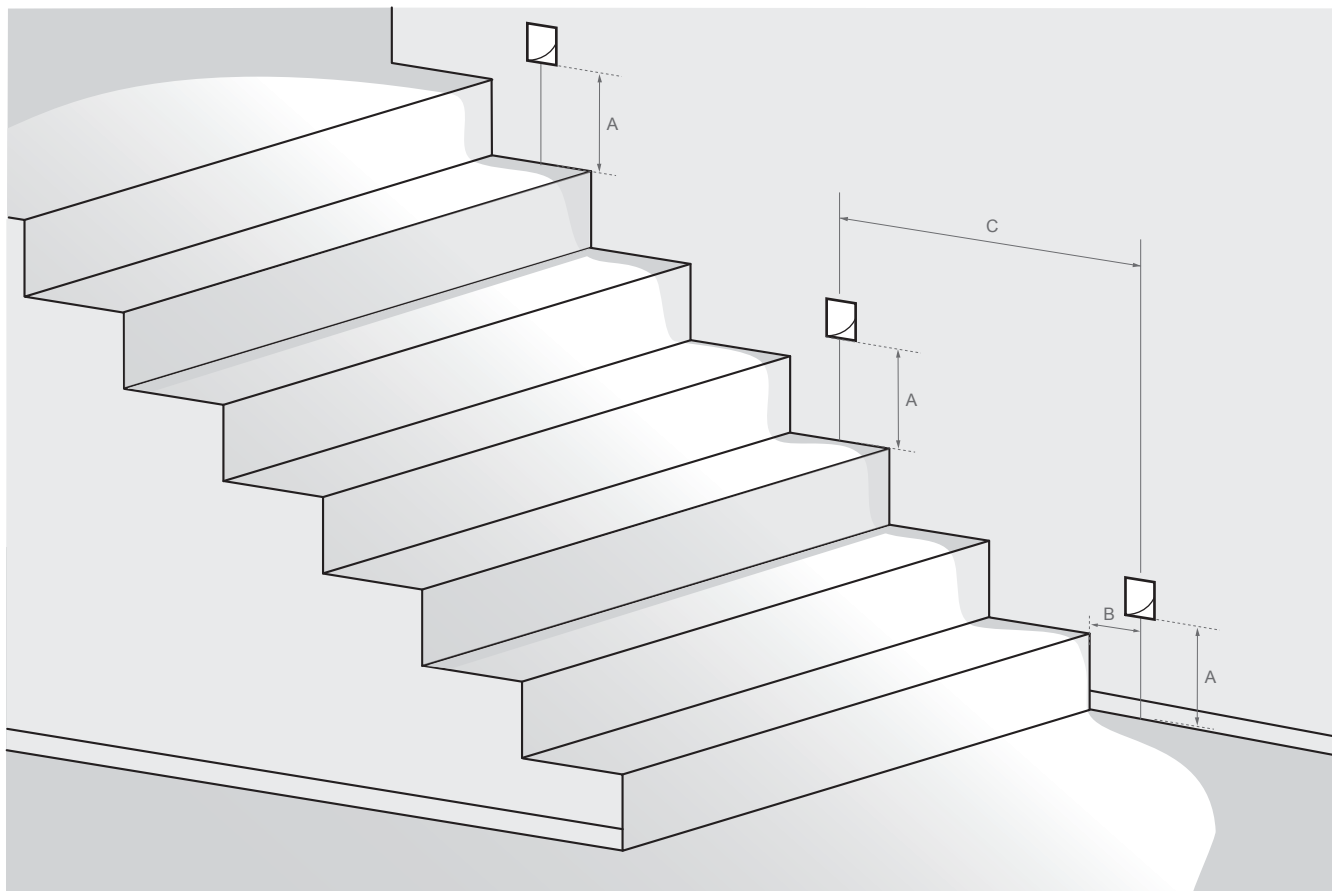


wall wash to achieve maximum "uniformity" of light using our wall wash luminaires:

- a – distance A should be half of distance B
- b – distance B should be equal between luminaires and no greater than C
- c – distance C should be no less than 600mm and no greater than 1,000mm

NB: For guidance purposes only, please consult our technical department for your particular application.

floor wash set out guide



stair wash

to achieve maximum "uniformity" of light using our floor wash luminaires in stair case applications:

- a – distance A should be no less than 250mm
- b – distance B should be half the width of the stair tread
- c – distance C should be no more than 3 standard depth treads

NB: For guidance purposes only, please consult our technical department for your particular application.