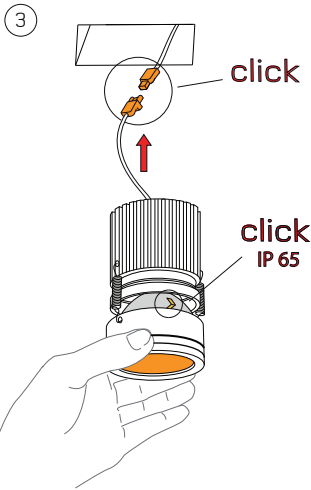
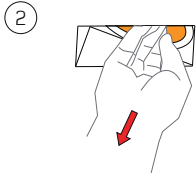
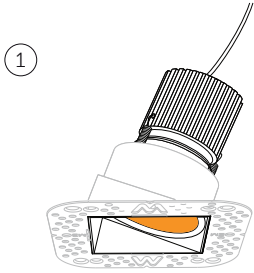
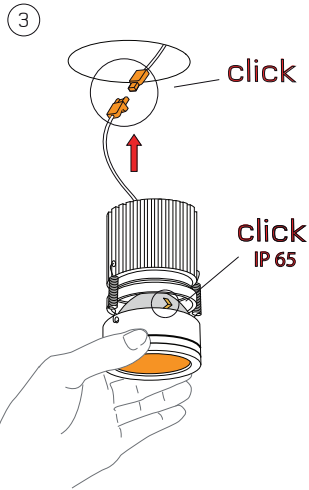
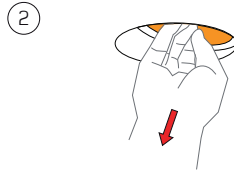
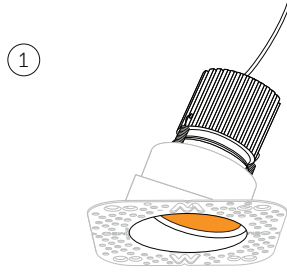


insert removal:

P60SWWIP



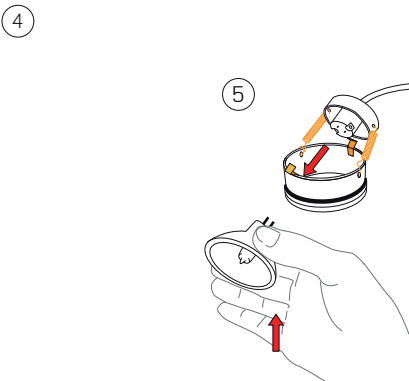
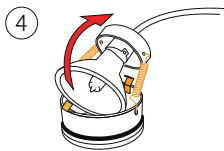
P60RWWIP



lamp Removal

Contact whitegoods at end of LED lamp life (average LED lamp life is 50,000hrs)

Replacing all other lamp types follow step 4 and 5.



whitegoods

installation instructions; 60 plaster-in wall wash:

- P60SWWIP-LVR
- P60SWWIP-LEDR/MVR
- P60SWWIP-CDMR
- P60SWWIP-XI
- P60SWWDDL-LVR
- P60SWWDDL-LEDR/MVR
- P60SWWDDL-CDMR
- P60SWWDDL-XI

- P60RWWIP-LVR
- P60RWWIP-LEDR/MVR
- P60RWWIP-CDMR
- P60RWWIP-XI
- P60RWWDDL-LVR
- P60RWWDDL-LEDR/MVR
- P60RWWDDL-CDMR
- P60RWWDDL-XI

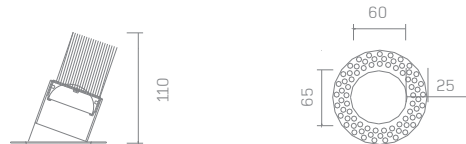
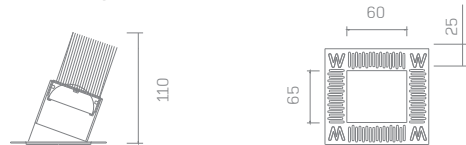
cut-out:
80mm x 70mm

cut-out:
oval 80 x 70mm

Standard LED heatsink



Reduced depth LED heatsink



- Recess depth required for all integral CMH, CDMR and LED lamps is 170mm
- Recess depth required for emergency lamps is 200mm

Traditional IP65 lamp source



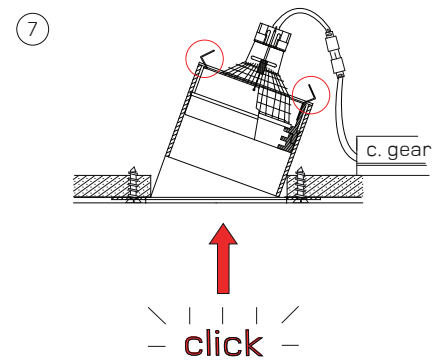
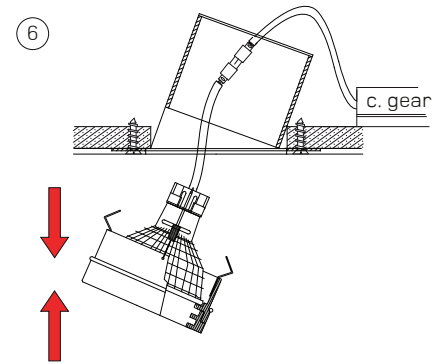
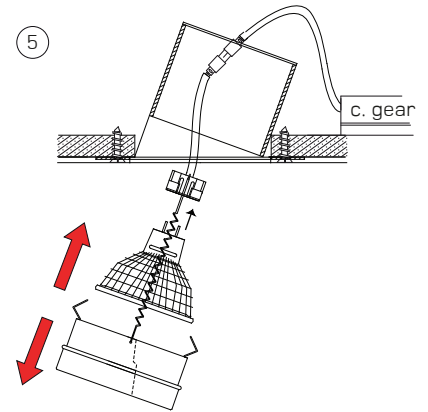
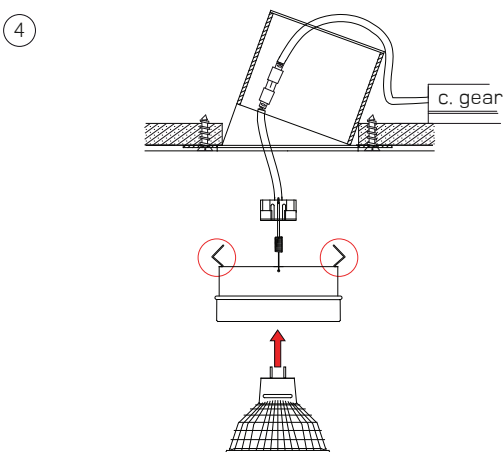
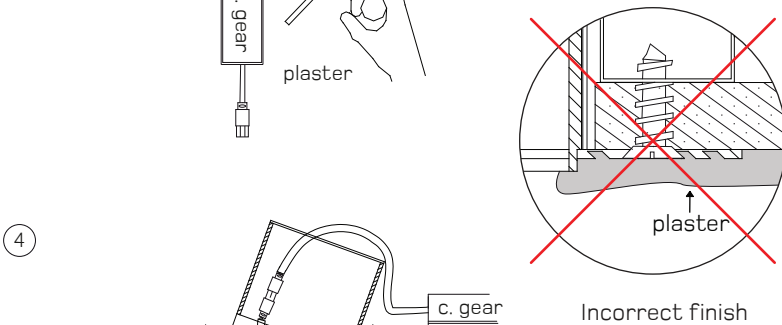
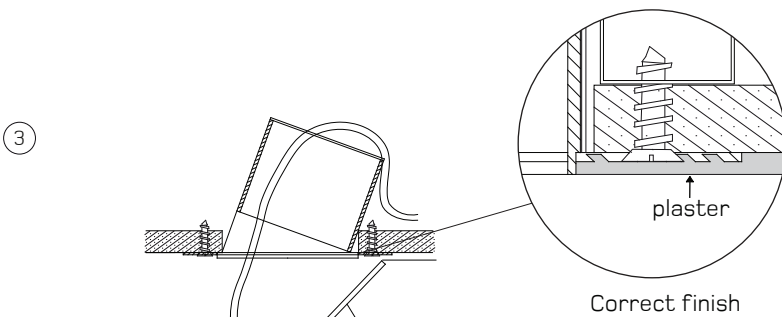
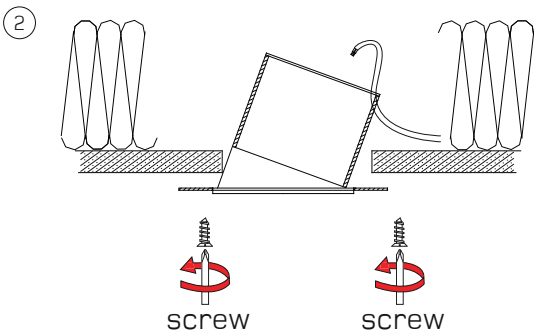
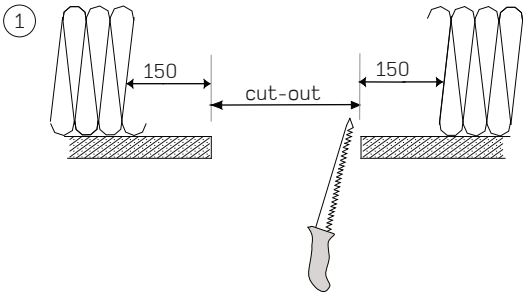
- Recess depth required for LVR & MVR lamps is 110mm

whitegoods

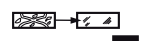
⚠ Ensure all mains power is switched off at source.

⚠ Do not attempt installation or maintenance on electrically live product.

⚠ Installation and maintenance to be carried out only by a qualified electrician or electrical contractor.



D 0,5m



Registration number is WEE/FG0362QY

Installation The installation of these products should only be carried out by a suitably qualified electrician in accordance with the instructions supplied with the product. All installation instructions can be downloaded from our website. We recommend that they are included with construction issue drawings and specifications.

Ceiling void depths for recessed downlights and linear luminaires: The Ceiling void depth should ideally be 25mm deeper than the overall height of the luminaire. When a fire-hood and/or a remote emergency pack is to be used, the void depth and space surrounding the luminaire will need to be increased.

Dimensions and specification The drawings, dimensions and finishes of the products in this catalogue and any accompanying information are purely indicative. Great care is taken to provide up to date information in this publication, however, due to a continuing programme of design and development, we reserve the right to change these dimensions without prior notice. Please check the website for most up to date information. If a dimension is critical to the success of your project, please confirm it directly with the technical department. Throughout this publication, cut-out sizes refer to the aperture required when fittings are mounted in soft plasterboard. For fibrous tiles, timber, metal tiles and cast-in construction, check dimensions on site, or ask for a sample. Whitegoods reserves the right to discontinue any product in this publication at any time without prior notice.

Performance All photometric data supplied is taken from a standard production luminaire tested under ideal laboratory conditions and may vary from data taken in alternative conditions. All calculated light levels and/or lighting plots provided are offered for guidance only. The customer must satisfy themselves that luminaires proposed are suitable for the application intended in all performance and physical criteria.

Temperature and physical environment All products are tested with stated lamp wattage. Incorrect lamp types and wattages may effect efficiency, create glare and seriously overheat the luminaire. Adequate ventilation and free air space around fittings (in accordance with the installation instructions supplied with the product) will be necessary when used in confined spaces where elevated temperatures will occur. All luminaires are designed to operate in a maximum 30degree ambient temperature. Operating in ambient temperatures above this can affect performance and the mechanical functionality of the luminaire.

Intellectual property In order that we can continue to develop innovative quality products, we believe it is of critical importance that we protect our ideas and visions. Therefore any infringement of our intellectual property will be vigorously pursued.

Returns We cannot offer refunds on Custom or Tailored products, Standard product may be eligible for re-stocking within 3 months of original purchase date, subject to a 30% handling charge. All original packaging and documentation must be present and goods must be in original condition.

Service Whitegoods will endeavor to fulfill all orders as quickly as possible and treat all customers with the highest regard. For further information about Whitegoods products and services, please visit www.whitegoods.com.

WEEE directive The Waste Electrical and Electronic Equipment Directive (WEEE Directive) is the European Community directive 2002/96/EC on waste electrical and electronic equipment, together with the RoHS Directive 2002/95/EC which became European Law in February 2003, setting collection, recycling and recovery targets for all types of electrical goods. This imposes responsibility for the disposal of waste electrical and electronic equipment (WEEE) on the manufacturers of such equipment. To meet these targets Whitegoods has become a member of Lumicom to allow us to meet the current and future directives. For further information on the WEEE directive please contact our offices. WEEE Registration number is WEE/FG0362QY

