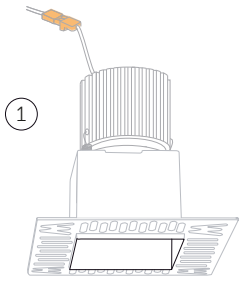
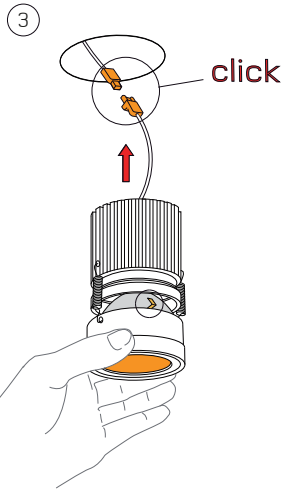
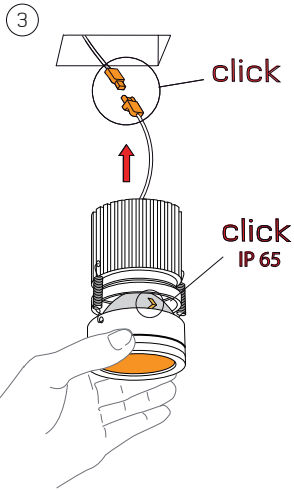
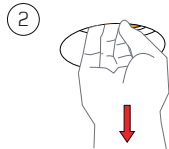
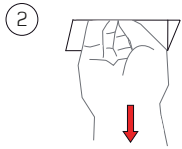
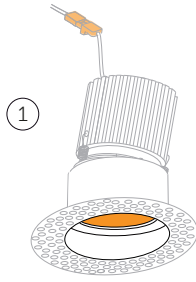


insert removal:
P60SDLIP; P60RDLIP



insert removal:
P60SDDL; P60RDDL

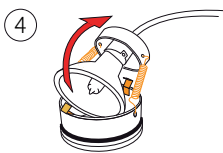


lamp removal

Contact whitegoods at end of LED lamp life
(projected lifetime of LED is 50,000hrs)

Plug and play option only available with LED lamp sources

When replacing all other lamp types follow step 4 and 5.



whitegoods

installation instructions / 60 plaster-in directional downlight:

P60SDLIP-LVR
P60SDLIP-LEDR/MVR
P60SDLIP-CDMR
P60SDLIP-XI
P60SDDL-LVR
P60SDDL-LEDR/MVR
P60SDDL-CDMR
P60SDDL-XI
P60SDDL-CL

P60RDLIP-LVR
P60RDLIP-LEDR/MVR
P60RDLIP-CDMR
P60RDLIP-XI
P60RDDL-LVR
P60RDDL-LEDR/MVR
P60RDDL-CDMR
P60RDDL-XI
P60RDDL-CL

lamp position

- Lamp is regressed 30mm as standard.

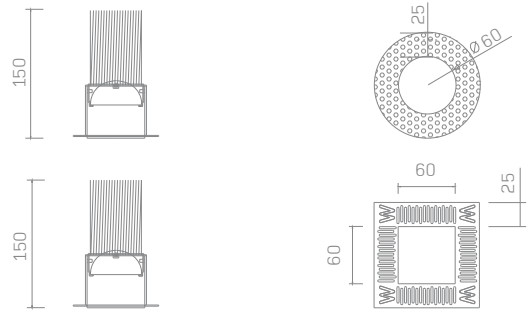
cut-out:

70mm x 70mm

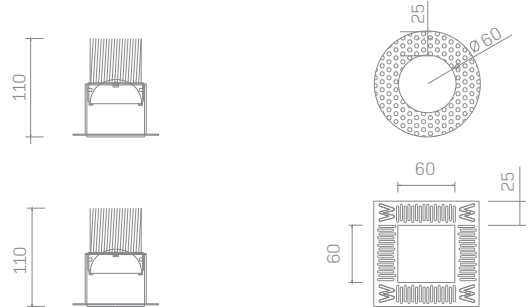
cut-out:

Ø 70mm

Standard / IP65 LED heatsink

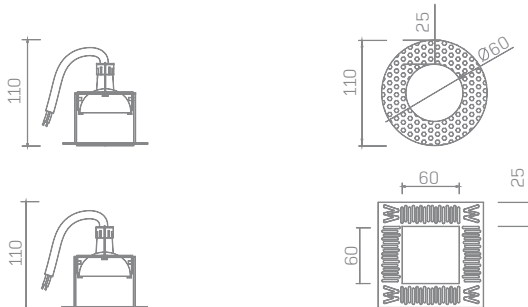


Reduced depth / IP65 LED heatsink



- Recess depth required for all integral CMH, CDMR and LED lamps is 170mm
- Recess depth required for emergency lamps is 200mm

Traditional / IP65

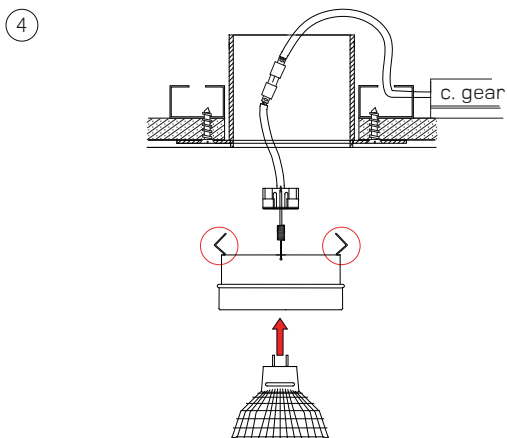
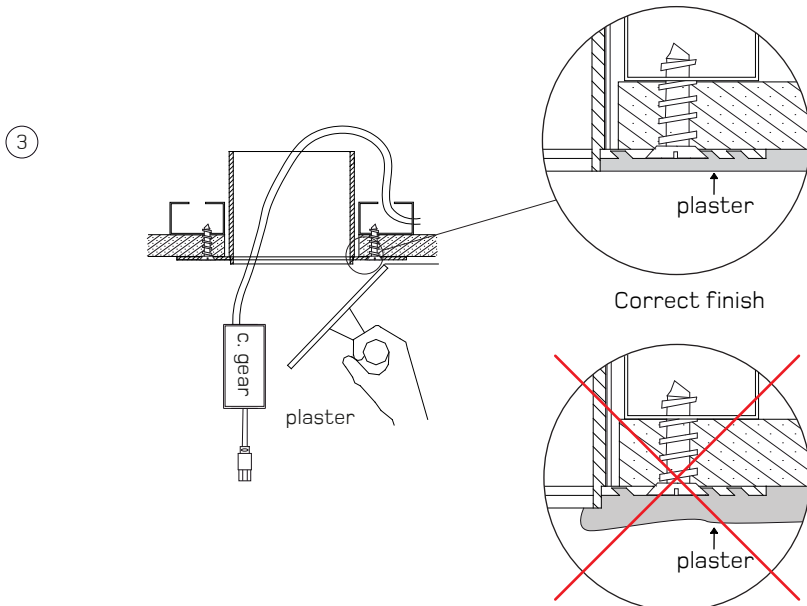
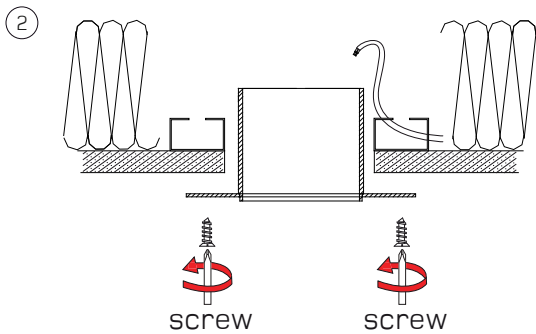
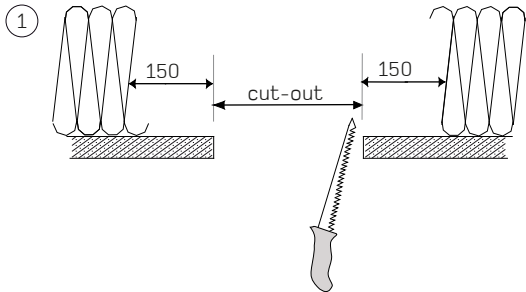


- Recess depth required for LVR & MVR lamps is 110mm

⚠ Ensure all mains power is switched off at source.

⚠ Do not attempt installation or maintenance on electrically live product.

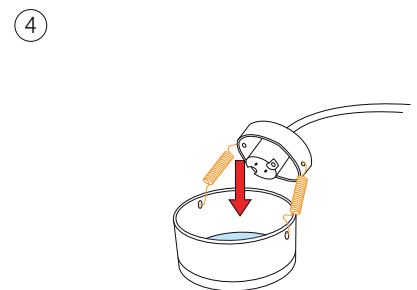
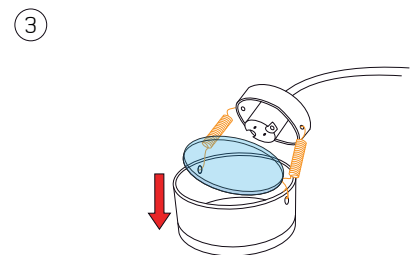
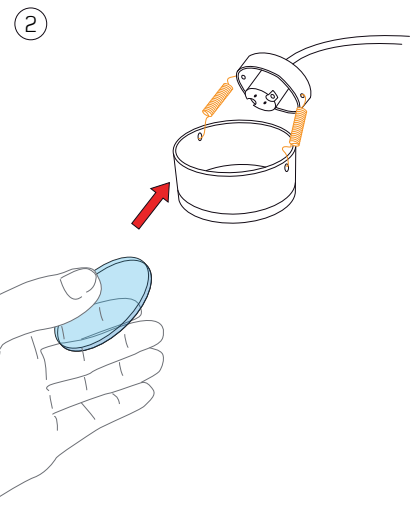
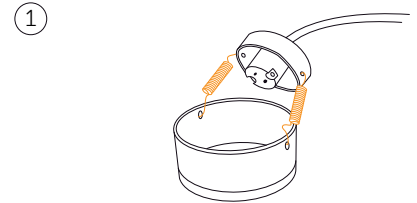
⚠ Installation and maintenance to be carried out only by a qualified electrician or electrical contractor.



whitegoods

installation instructions / 60 Directional Downlight Accessories

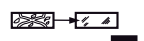
AG-50-F
AG-50-C
AG-50-S
AG-50-P
AL-50



Glass Accessory installation shown.
Follow same process for Louvre and
Snoot installation

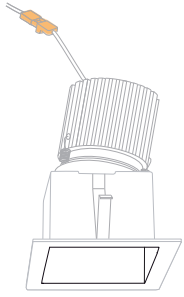


D 0,5m

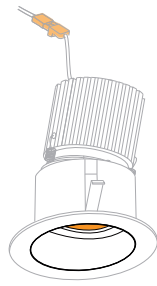


Registration number is WEE/FG0362QY

insert removal:
B60SDDL



insert removal:
B60RDDL



whitegoods

installation instructions / 60 bezel directional downlight:

B60SDDL-LVR
B60SDDL-LEDR/MVR
B60SDDL-CDMR
B60SDDL-LED-XI
B60SDDL-LED-CL

B60RDDL-LVR
B60RDDL-LEDR/MVR
B60RDDL-CDMR
B60RDDL-LED-XI
B60RDDL-LED-CL

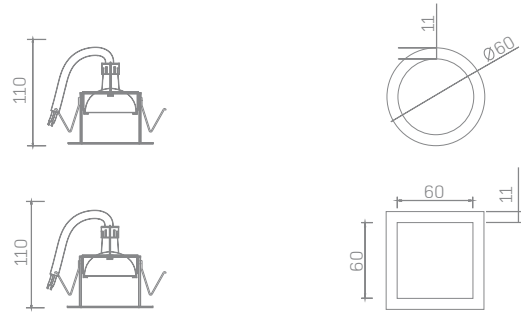
lamp position

Lamp is regressed 30mm as standard. For flush glass order separate accessory.

cut-out:
70mm x 70mm

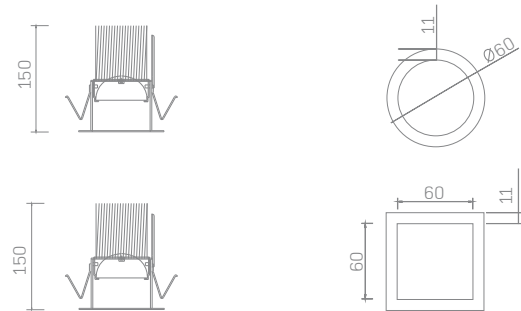
cut-out:
Ø 70mm

standard / IP 65

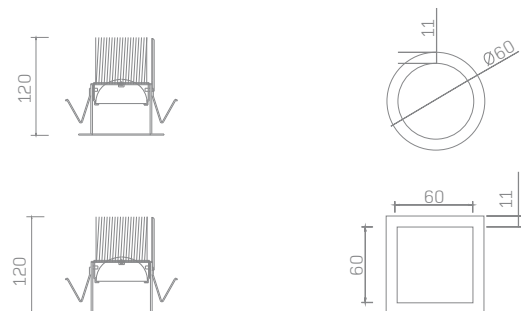


Recess depth required for LVR & MVR lamps is 110mm

LED Standard / IP 65



LED Reduced depth

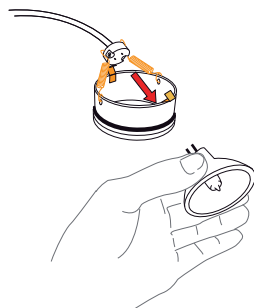


Recess depth required for all integral CMH, CDMR and LED lamps is 170mm
Recess depth required for emergency lamps is 200mm

lamp removal

Contact whitegoods at end of LED lamp life
(projected lifetime of LED is 50,000hrs)

Replacing all other lamp types follow step 4 and 5.



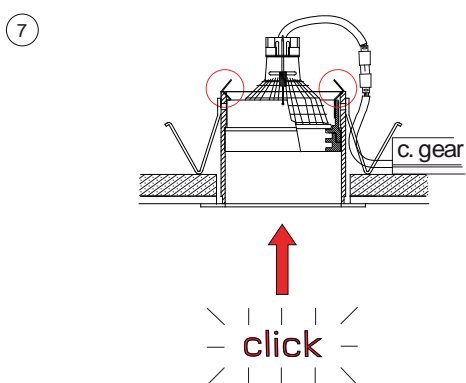
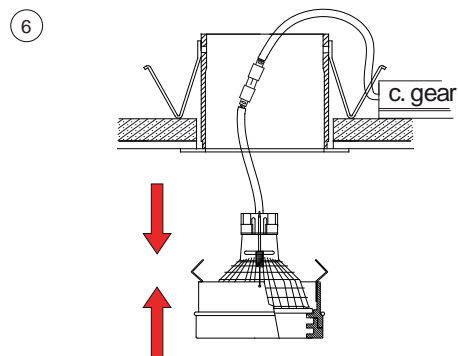
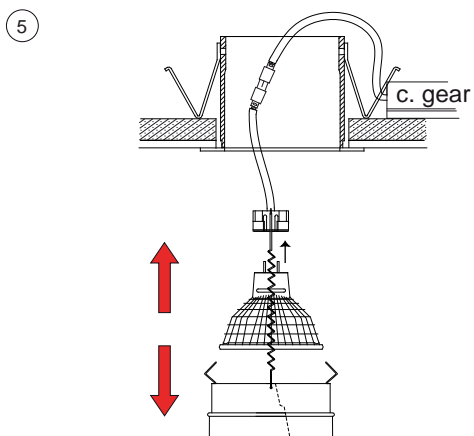
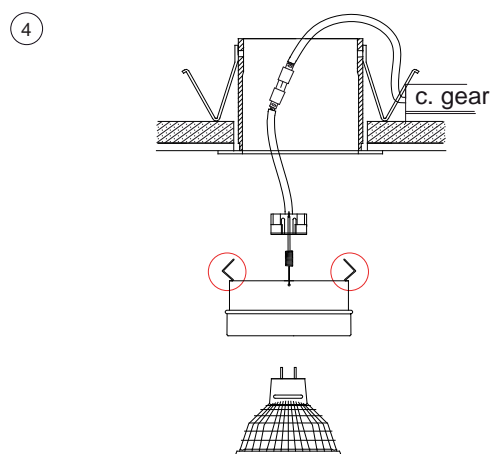
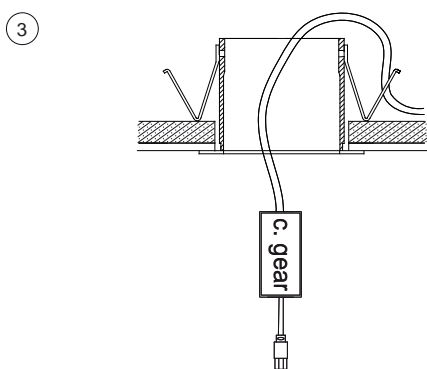
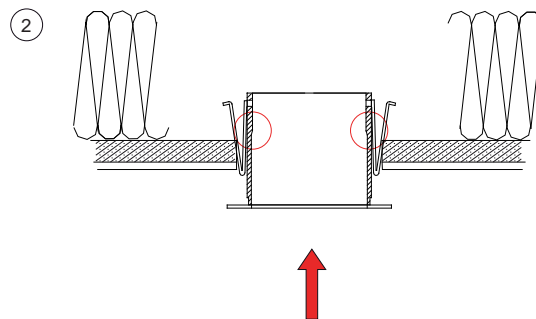
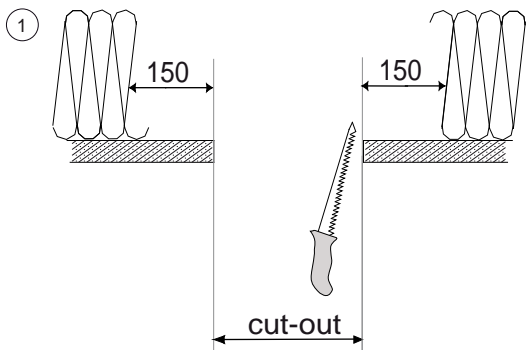
Registration number is WEE/FG0362QY

- ⚠ Ensure all mains power is switched off at source.
- ⚠ Do not attempt installation or maintenance on electrically live product.
- ⚠ Installation and maintenance to be carried out only by a qualified electrician or electrical contractor.

whitegoods

installation instructions / 60 bezel directional downlight:

B60SDDL-LVR	B60RDDL-LVR
B60SDDP-MVR	B60RDDL-MVR
B60SDDL-LEDR/CDMR	B60RDDL-LEDR/CDMR
B60SDDL-LED-XI	B60RDDL-LED-XI
B60SDDL-LED-CL	B60RDDL-LED-CL



0,5m



Registration number is WEE/FG0362QY

Installation

The installation of these products should only be carried out by a suitably qualified electrician in accordance with the instructions supplied with the product. All installation instructions can be downloaded from our website. We recommend that they are included with construction issue drawings and specifications.

Ceiling void depths for recessed downlights and linear luminaires: The Ceiling void depth should ideally be 25mm deeper than the overall height of the luminaire. When a fire-hood and/or a remote emergency pack is to be used, the void depth and space surrounding the luminaire will need to be increased.

Dimensions and specification

The drawings, dimensions and finishes of the products in this catalogue and any accompanying information are purely indicative. Great care is taken to provide up to date information in this publication, however, due to a continuing programme of design and development, we reserve the right to change these dimensions without prior notice. Please check the website for most up to date information. If a dimension is critical to the success of your project, please confirm it directly with the technical department. Throughout this publication, cut-out sizes refer to the aperture required when fittings are mounted in soft plasterboard. For fibrous tiles, timber, metal tiles and cast-in construction, check dimensions on site, or ask for a sample. Whitegoods reserves the right to discontinue any product in this publication at any time without prior notice.

Performance

All photometric data supplied is taken from a standard production luminaire tested under ideal laboratory conditions and may vary from data taken in alternative conditions. All calculated light levels and/or lighting plots provided are offered for guidance only. The customer must satisfy themselves that luminaires proposed are suitable for the application intended in all performance and physical criteria.

Temperature and physical environment

All products are tested with stated lamp wattage. Incorrect lamp types and wattages may effect efficiency, create glare and seriously overheat the luminaire. Adequate ventilation and free air space around fittings (in accordance with the installation instructions supplied with the product) will be necessary when used in confined spaces where elevated temperatures will occur. All luminaires are designed to operate in a maximum 30degree ambient temperature. Operating in ambient temperatures above this can affect performance and the mechanical functionality of the luminaire.

Intellectual property

In order that we can continue to develop innovative quality products, we believe it is of critical importance that we protect our ideas and visions. Therefore any infringement of our intellectual property will be vigorously pursued.

Returns

We cannot offer refunds on Custom or Tailored products, Standard product may be eligible for re-stocking within 3 months of original purchase date, subject to a 30% handling charge. All original packaging and documentation must be present and goods must be in original condition.

Service

Whitegoods will endeavor to fulfill all orders as quickly as possible and treat all customers with the highest regard. For further information about Whitegoods products and services, please visit www.whitegoods.com.

WEEE directive



The Waste Electrical and Electronic Equipment Directive (WEEE Directive) is the European Community directive 2002/96/EC on waste electrical and electronic equipment, together with the RoHS Directive 2002/95/EC which became European Law in February 2003, setting collection, recycling and recovery targets for all types of electrical goods. This imposes responsibility for the disposal of waste electrical and electronic equipment (WEEE) on the manufacturers of such equipment. To meet these targets Whitegoods has become a member of Lumicom to allow us to meet the current and future directives. For further information on the WEEE directive please contact our offices. WEEE Registration number is WEE/FG0362QY