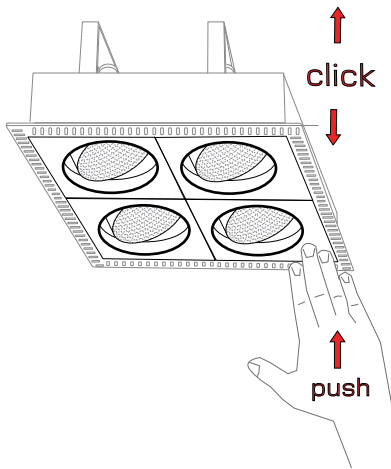
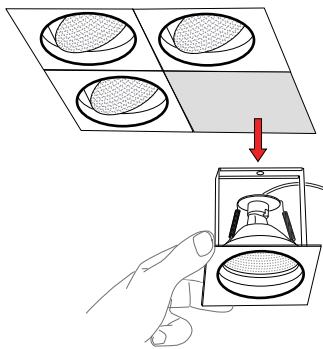


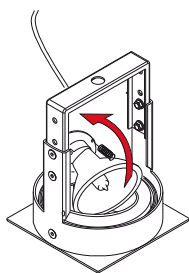
lamp removal



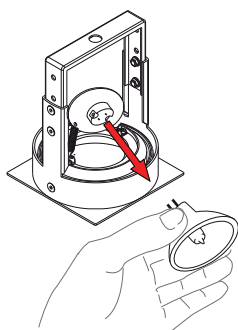
1



2



3



4

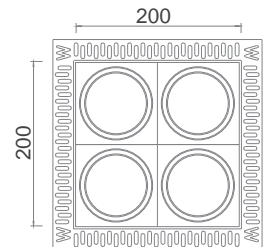
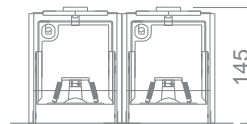
installation instructions / 300 square gimbal plaster-in; 200 square gimbal plaster-in:

P200SRG-LVR
P200SRG-LEDR-GU10
P200SRG-LEDR-GU5.3
P200SRG-MVR
P200SRG-CDMR
P200SRG-LED-XI
P200SRG-LED-CL

P300SRG-LEDR111
P300SRG-LVAR111
P300SRG-CDMR111
P300SRG-CDM-TC
P300SRG-LED-XI
P300SRG-LED-CL

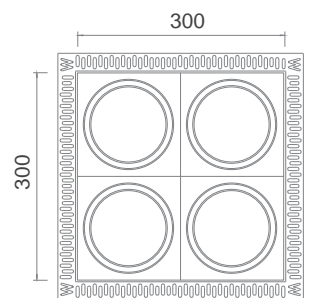
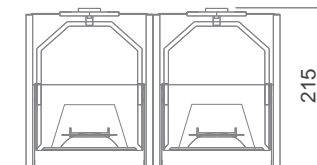
P200SRG

cut-out:
220 x 220mm

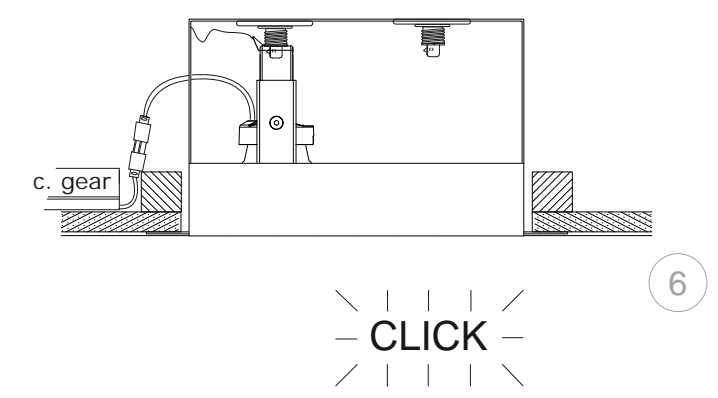
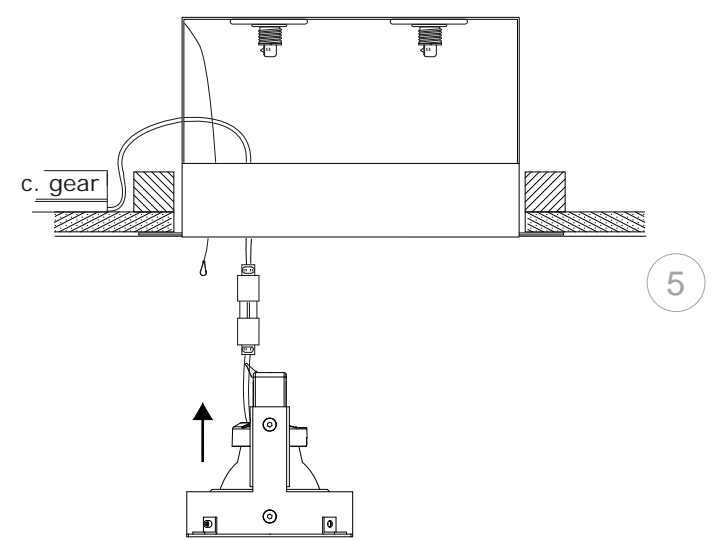
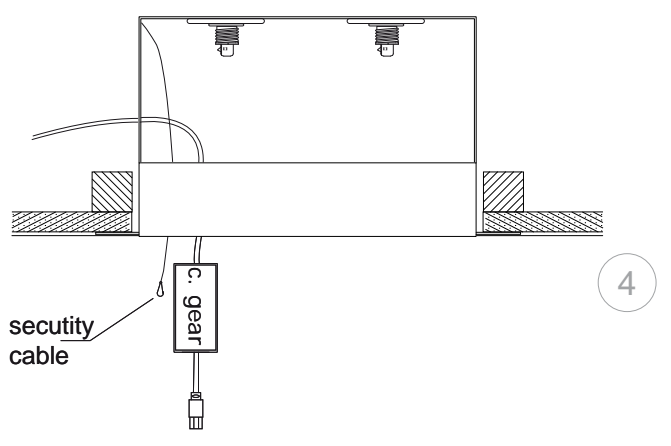
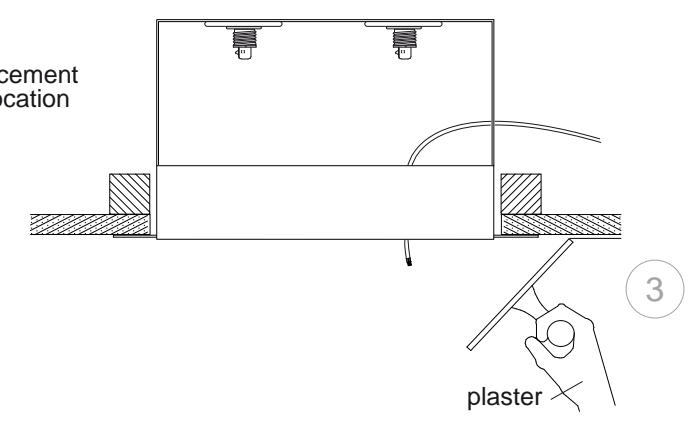
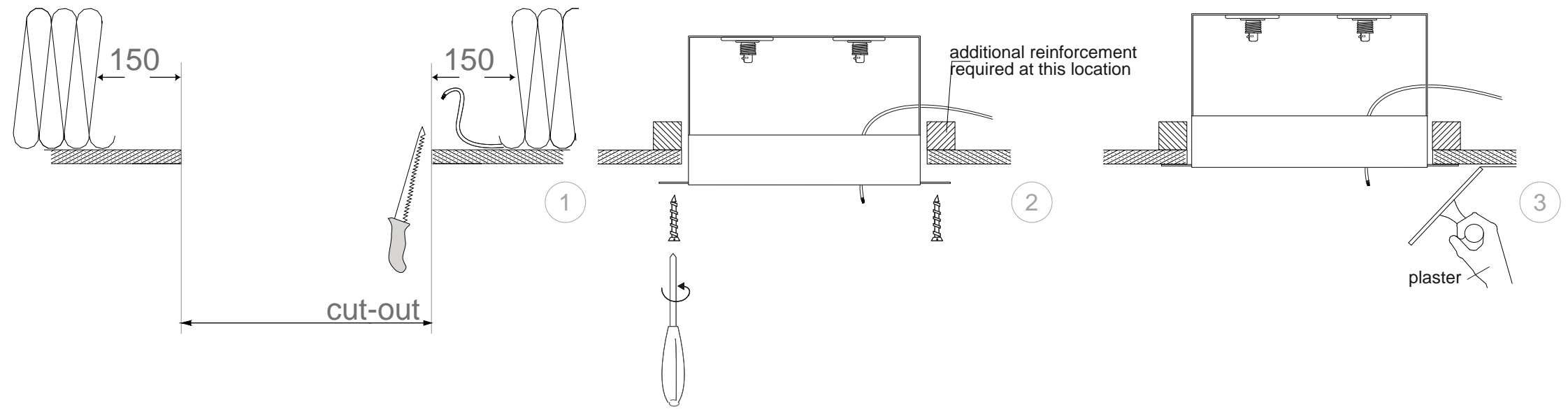


P300SRG

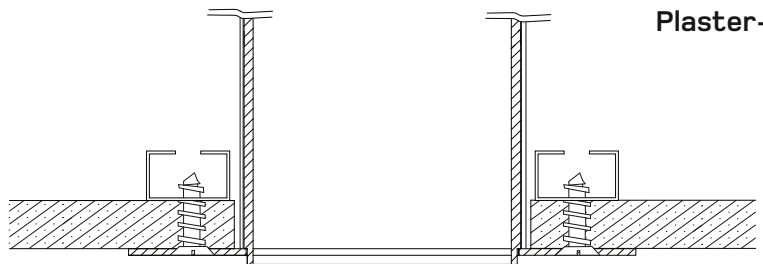
cut-out:
320 x 320mm



Registration number is WEE/FG0362QY

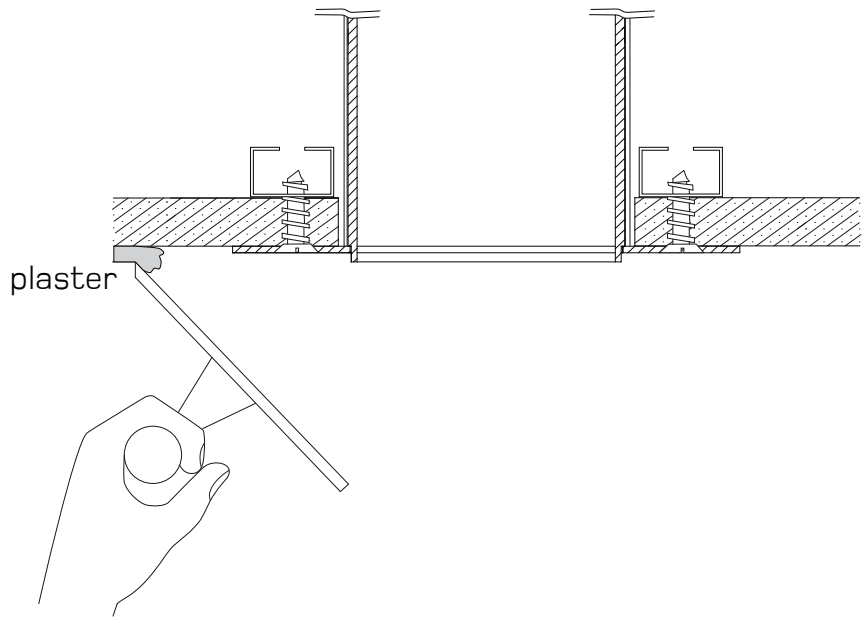


1 Ensure the housing is fixed securely in place

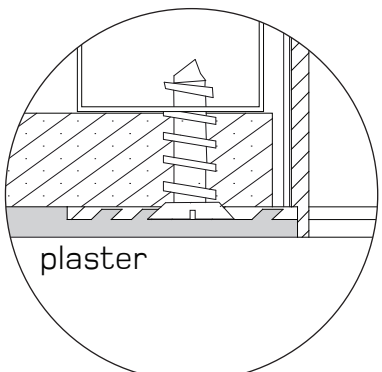
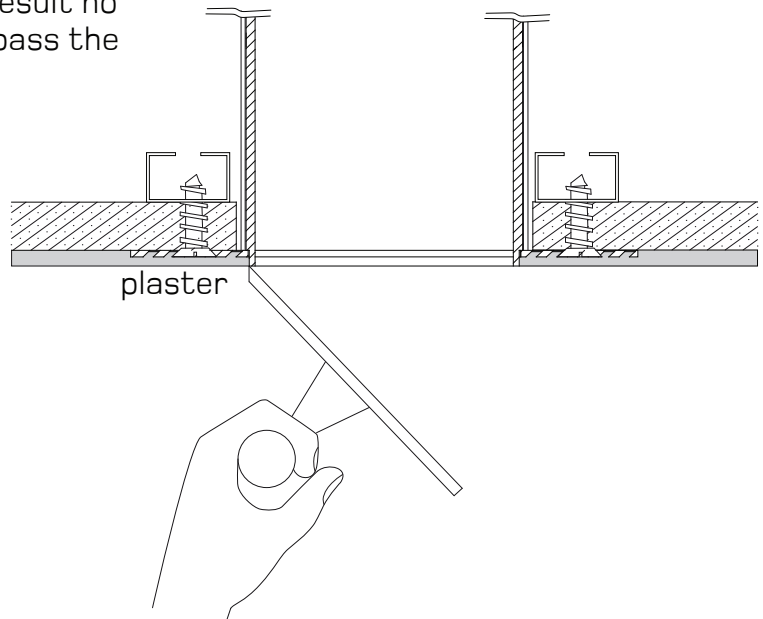


Plaster-in finish instructions

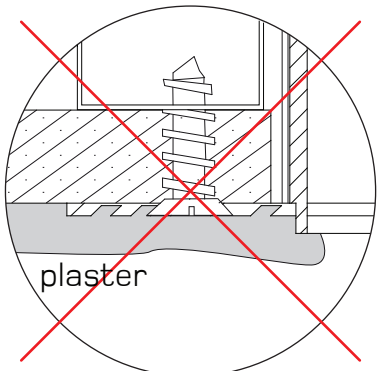
2 Distribute an even amount of plaster that conceals the trim of the housing.



3 Ensure there is a smooth and neat finish at the edge of the housing. To achieve the correct result no plaster is to pass the housing lip

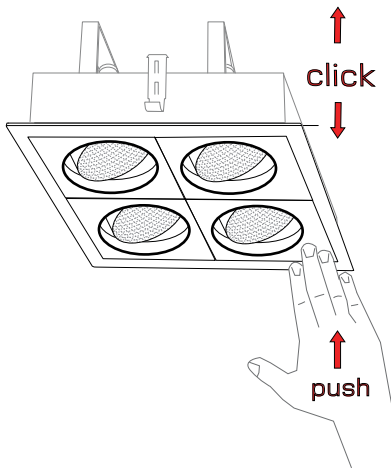


Correct finish

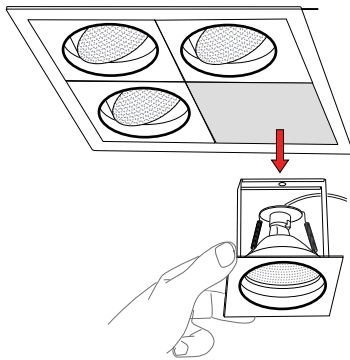


Incorrect finish

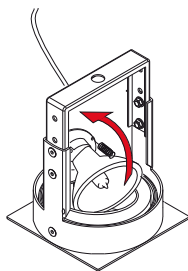
lamp removal



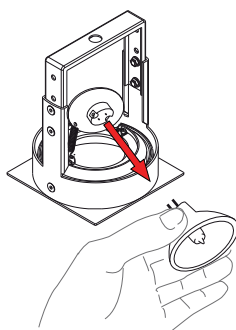
1



2



3



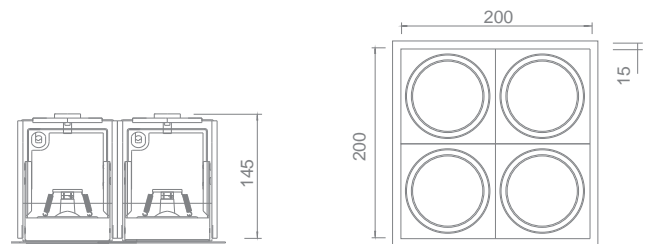
4

installation instructions / 300 square gimbal Bezel; 200 square gimbal Bezel:

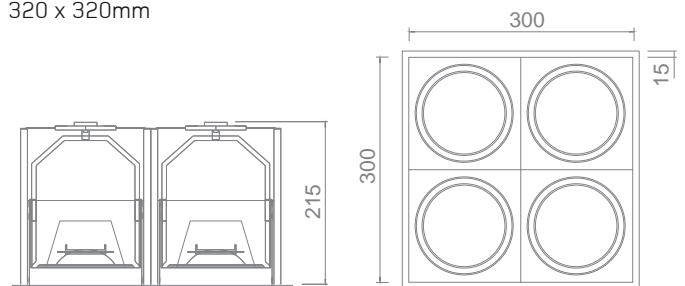
B200SRG-LVR
B200SRG-LEDR-GU10
B200SRG-LEDR-GU5.3
B200SRG-MVR
B200SRG-CDMR
B200SRG-LED-XI
B200SRG-LED-CL

B300SRG-LEDR111
B300SRG-LVAR111
B300SRG-CDMR111
B300SRG-CDM-TC
B300SRG-LED-XI
B300SRG-LED-CL

cut-out:
220 x 220mm

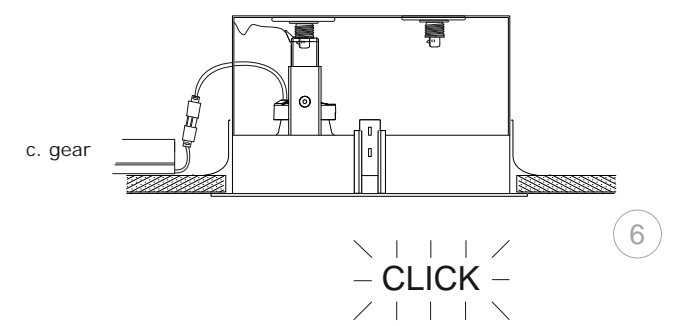
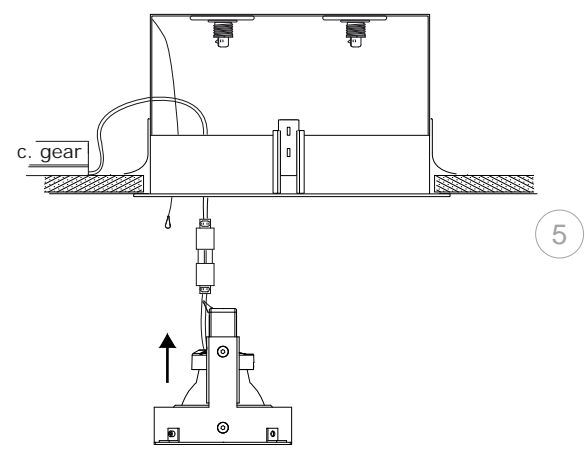
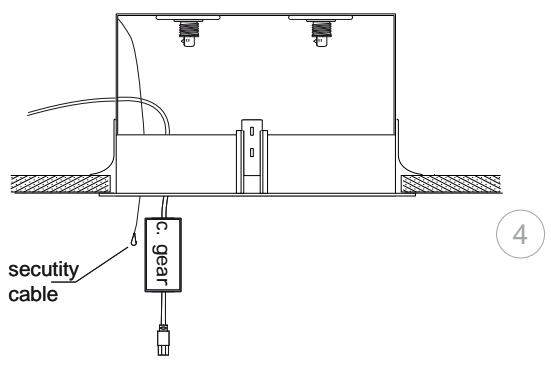
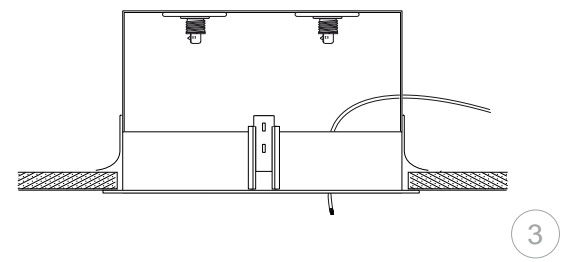
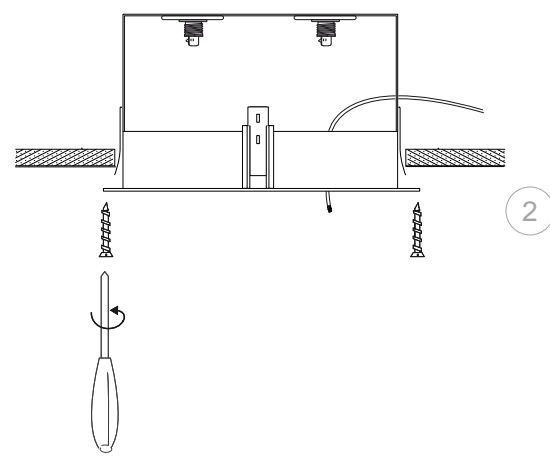
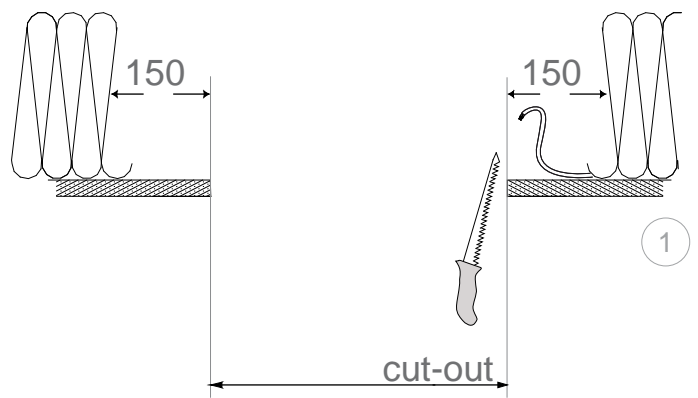
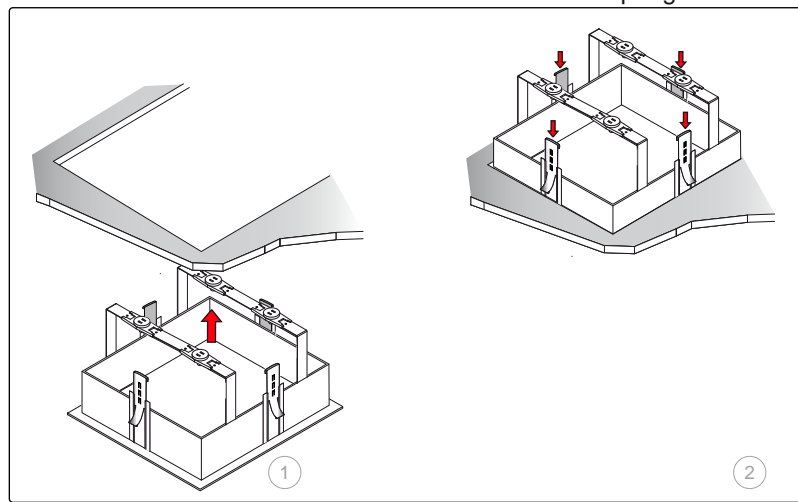


cut-out:
320 x 320mm



Registration number is WEE/FG0362QY

spring installation



Installation

The installation of these products should only be carried out by a suitably qualified electrician in accordance with the instructions supplied with the product. All installation instructions can be downloaded from our website. We recommend that they are included with construction issue drawings and specifications.

Ceiling void depths for recessed downlights and linear luminaires: The Ceiling void depth should ideally be 25mm deeper than the overall height of the luminaire. When a fire-hood and/or a remote emergency pack is to be used, the void depth and space surrounding the luminaire will need to be increased.

Dimensions and specification

The drawings, dimensions and finishes of the products in this catalogue and any accompanying information are purely indicative. Great care is taken to provide up to date information in this publication, however, due to a continuing programme of design and development, we reserve the right to change these dimensions without prior notice. Please check the website for most up to date information. If a dimension is critical to the success of your project, please confirm it directly with the technical department. Throughout this publication, cut-out sizes refer to the aperture required when fittings are mounted in soft plasterboard. For fibrous tiles, timber, metal tiles and cast-in construction, check dimensions on site, or ask for a sample. Whitegoods reserves the right to discontinue any product in this publication at any time without prior notice.

Performance

All photometric data supplied is taken from a standard production luminaire tested under ideal laboratory conditions and may vary from data taken in alternative conditions. All calculated light levels and/or lighting plots provided are offered for guidance only. The customer must satisfy themselves that luminaires proposed are suitable for the application intended in all performance and physical criteria.

Temperature and physical environment

All products are tested with stated lamp wattage. Incorrect lamp types and wattages may effect efficiency, create glare and seriously overheat the luminaire. Adequate ventilation and free air space around fittings (in accordance with the installation instructions supplied with the product) will be necessary when used in confined spaces where elevated temperatures will occur. All luminaires are designed to operate in a maximum 30degree ambient temperature. Operating in ambient temperatures above this can affect performance and the mechanical functionality of the luminaire.

Intellectual property

In order that we can continue to develop innovative quality products, we believe it is of critical importance that we protect our ideas and visions. Therefore any infringement of our intellectual property will be vigorously pursued.

Returns

We cannot offer refunds on Custom or Tailored products, Standard product may be eligible for re-stocking within 3 months of original purchase date, subject to a 30% handling charge. All original packaging and documentation must be present and goods must be in original condition.

Service

Whitegoods will endeavor to fulfill all orders as quickly as possible and treat all customers with the highest regard. For further information about Whitegoods products and services, please visit www.whitegoods.com.

WEEE directive



The Waste Electrical and Electronic Equipment Directive (WEEE Directive) is the European Community directive 2002/96/EC on waste electrical and electronic equipment, together with the RoHS Directive 2002/95/EC which became European Law in February 2003, setting collection, recycling and recovery targets for all types of electrical goods. This imposes responsibility for the disposal of waste electrical and electronic equipment (WEEE) on the manufacturers of such equipment. To meet these targets Whitegoods has become a member of Lumicom to allow us to meet the current and future directives. For further information on the WEEE directive please contact our offices. WEEE Registration number is WEE/FG0362QY