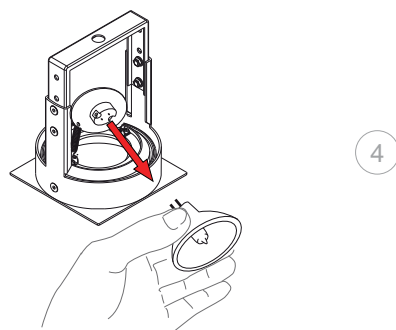
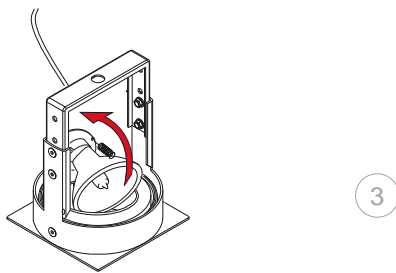
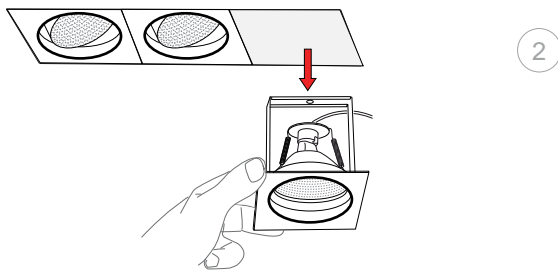
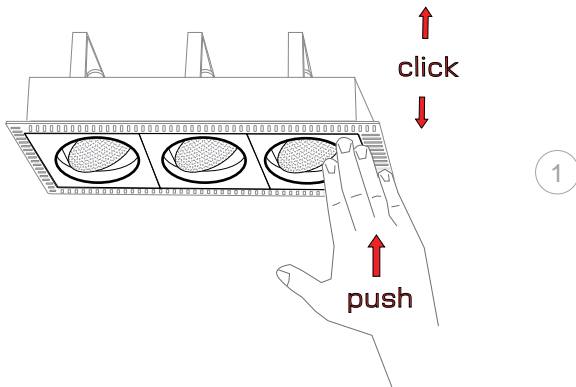


lamp removal

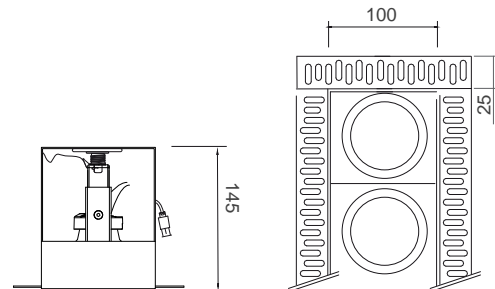


installation instructions / 100 and 150 linear gimbal plaster-in:

P100LRG2-LVR	P150LRG2-LVR
P100LRG3-LVR	P150LRG3-LVR
P100LRG4-LVR	P150LRG4-LVR
P100LRG2-LVC	P150LRG2-LVC
P100LRG3-LVC	P150LRG3-LVC
P100LRG4-LVC	P150LRG4-LVC
P100LRG2-LEDR	P150LRG2-LEDR
P100LRG3-LEDR	P150LRG3-LEDR
P100LRG4-LEDR	P150LRG4-LEDR
P100LRG2-LED-XI	P150LRG2-LED-XI
P100LRG3-LED-XI	P150LRG3-LED-XI
P100LRG4-LED-XI	P150LRG4-LED-XI
P100LRG2-LED-CL	P150LRG2-LED-CL
P100LRG3-LED-CL	P150LRG3-LED-CL
P100LRG4-LED-CL	P150LRG4-LED-CL

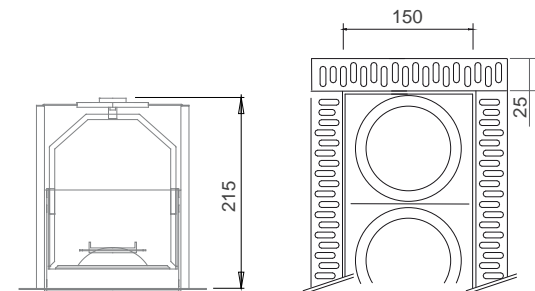
TP100LDLHE-(mm)

cut-out:
length +20mm x 120mm

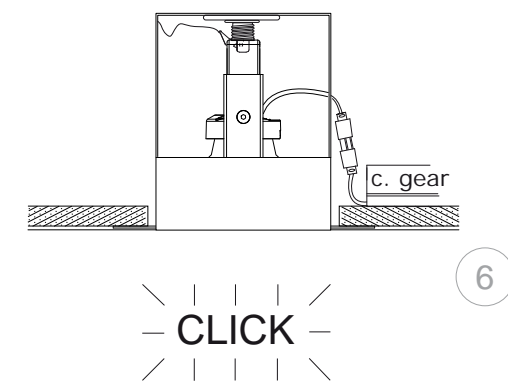
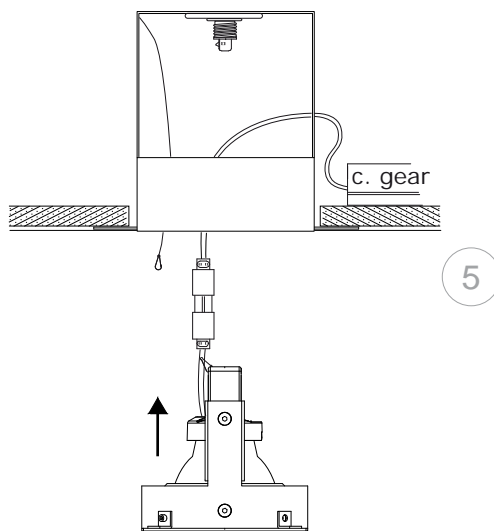
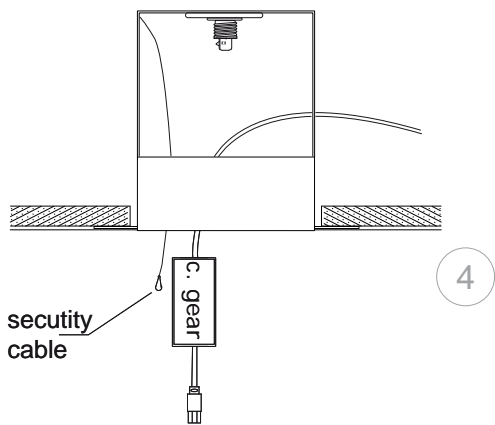
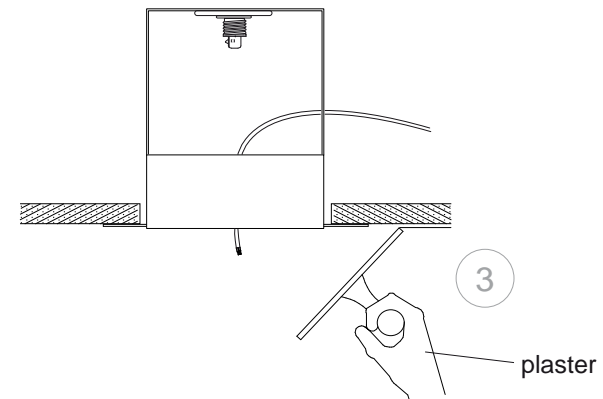
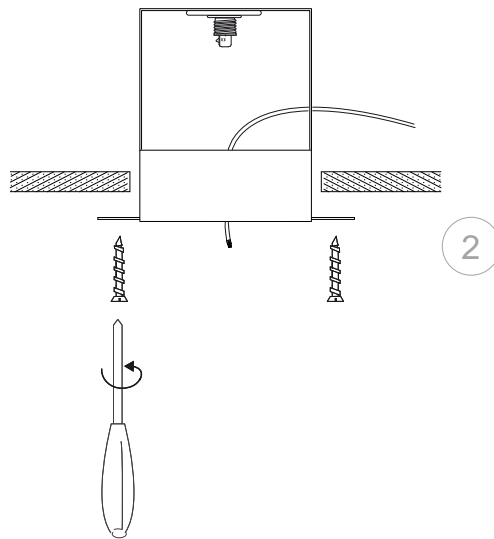
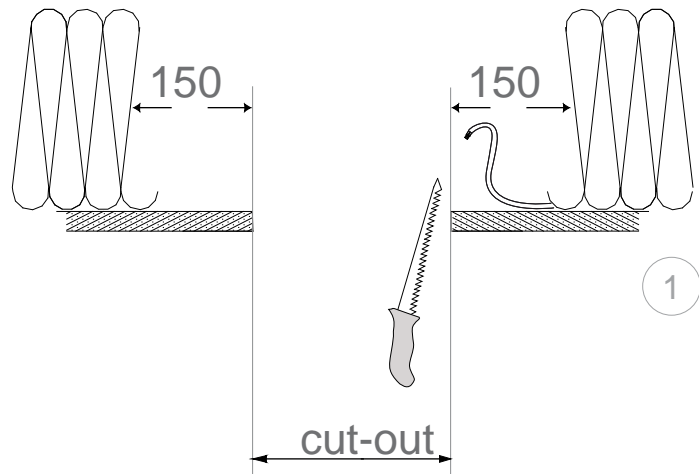


TP150LDLHE-(mm)

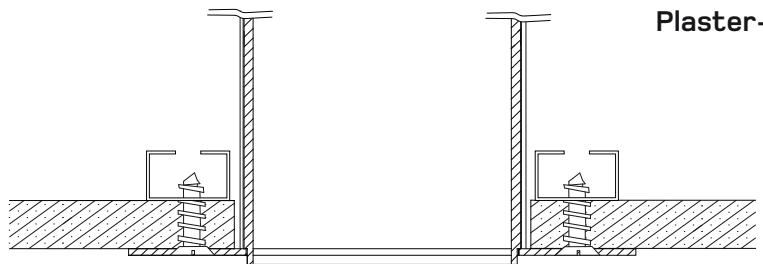
cut-out:
length +20mm x 170mm



Registration number is WEE/FG0362QY

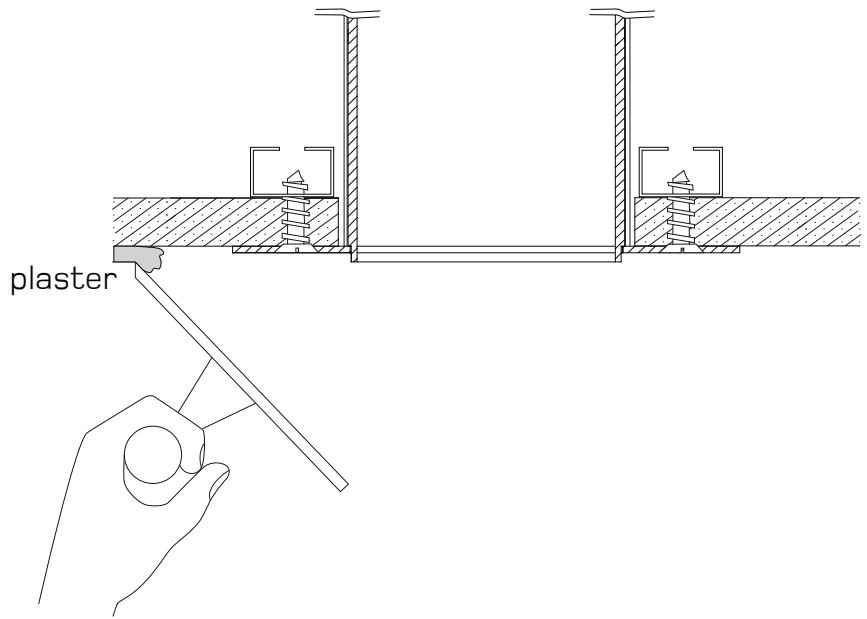


1 Ensure the housing is fixed securely in place

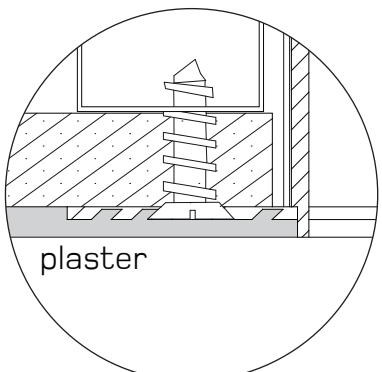
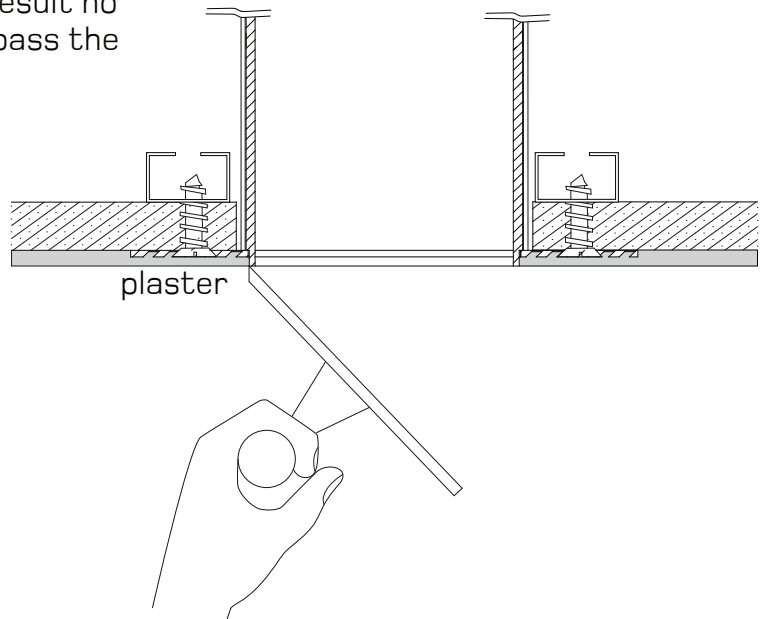


Plaster-in finish instructions

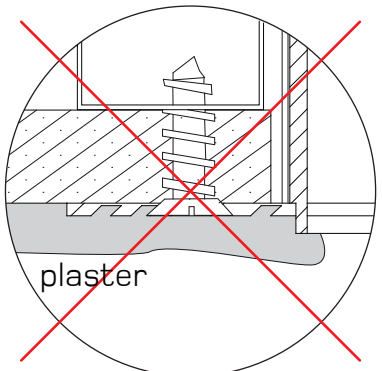
2 Distribute an even amount of plaster that conceals the trim of the housing.



3 Ensure there is a smooth and neat finish at the edge of the housing. To achieve the correct result no plaster is to pass the housing lip

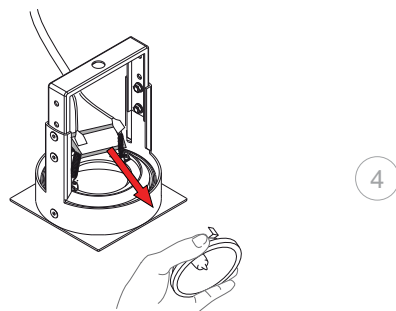
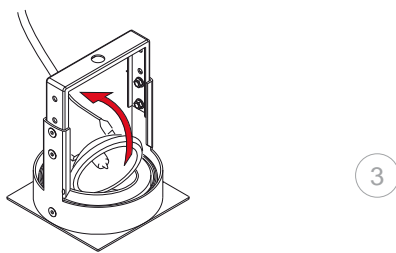
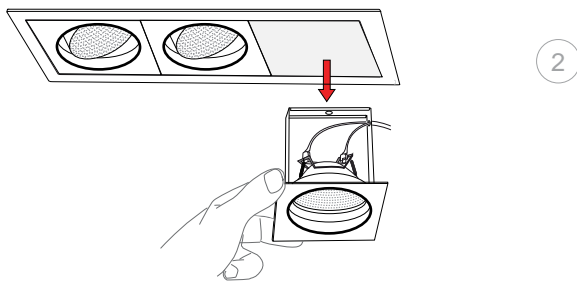
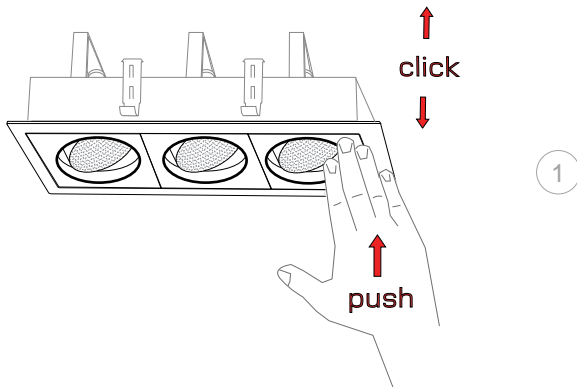


Correct finish



Incorrect finish

lamp removal

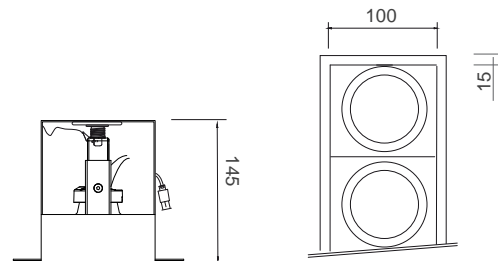


installation instructions / 100 and 150 linear gimbal plaster-in;

B100LRG2-LEDR/LVR	B150LRG2-LVAR111/LEDR111
B100LRG3-LEDR/LVR	B150LRG3-LVAR111/LEDR111
B100LRG4-LEDR/LVR	B150LRG4-LVAR111/LEDR111
B100LRG2-LEDR/MVR	B150LRG2-CDMR111
B100LRG3-LEDR/MVR	B150LRG3-CDMR111
B100LRG4-LEDR/MVR	B150LRG4-CDMR111
B100LRG2-CDMR	B150LRG2-CDM-TC
B100LRG3-CDMR	B150LRG3-CDM-TC
B100LRG4-CDMR	B150LRG4-CDM-TC
P100LRG2-LED-XI	P150LRG2-LED-XI
P100LRG3-LED-XI	P150LRG3-LED-XI
P100LRG4-LED-XI	P150LRG4-LED-XI
P100LRG2-LED-CL	P150LRG2-LED-CL
P100LRG3-LED-CL	P150LRG3-LED-CL
P100LRG4-LED-CL	P150LRG4-LED-CL

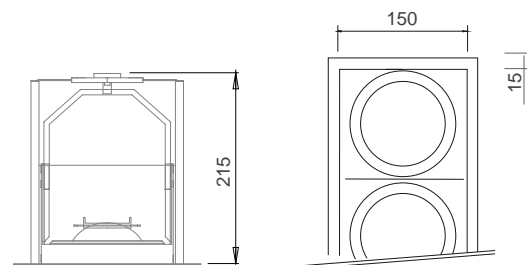
TB100LDLHE-(mm)

cut-out:
length +20mm x 120mm



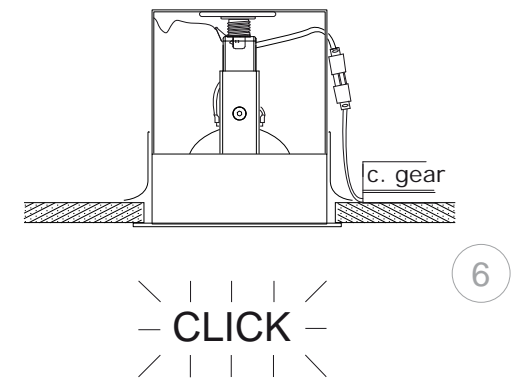
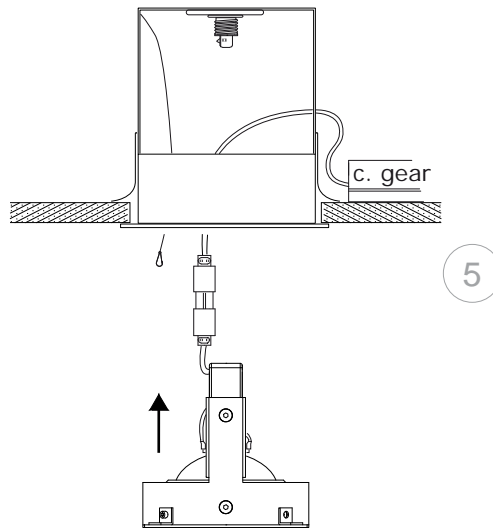
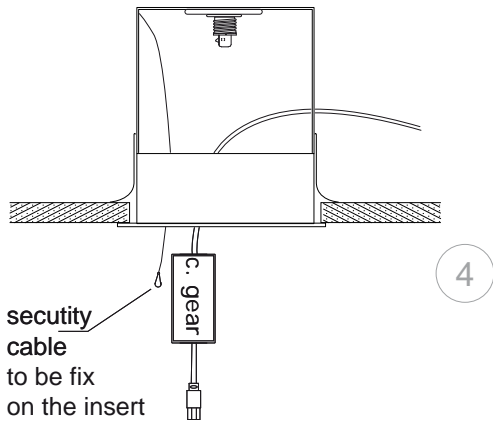
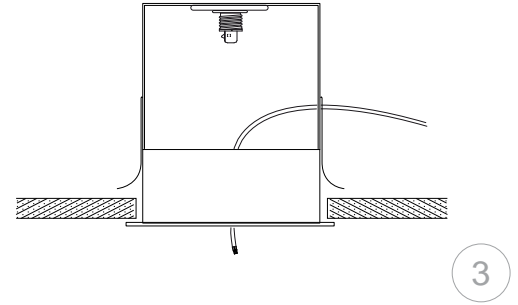
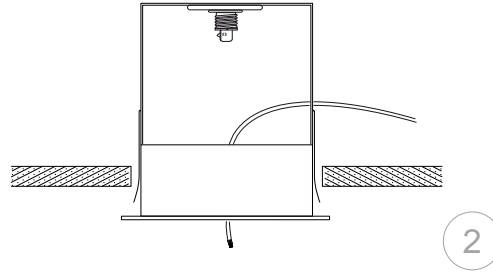
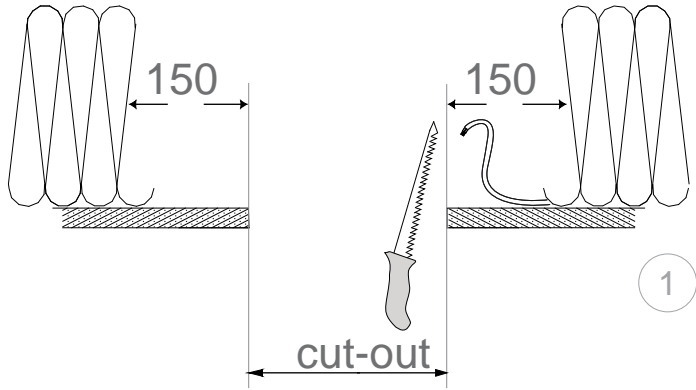
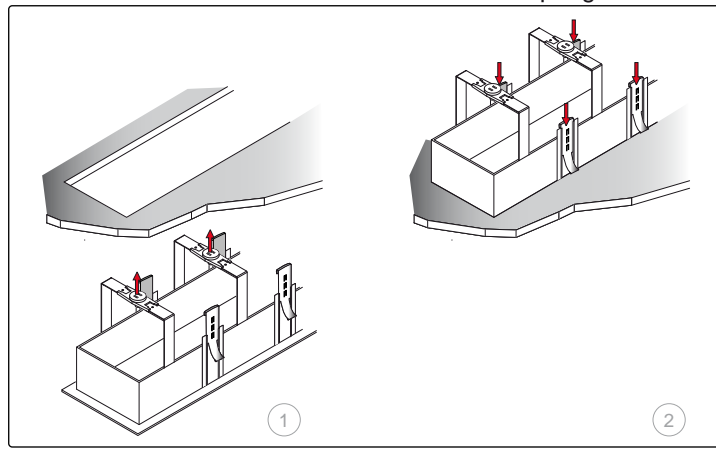
TB150LDLHE-(mm)

cut-out:
length +20mm x 170mm



Registration number is WEE/FG0362QY

spring installation



Installation

The installation of these products should only be carried out by a suitably qualified electrician in accordance with the instructions supplied with the product. All installation instructions can be downloaded from our website. We recommend that they are included with construction issue drawings and specifications.

Ceiling void depths for recessed downlights and linear luminaires: The Ceiling void depth should ideally be 25mm deeper than the overall height of the luminaire. When a fire-hood and/or a remote emergency pack is to be used, the void depth and space surrounding the luminaire will need to be increased.

Dimensions and specification

The drawings, dimensions and finishes of the products in this catalogue and any accompanying information are purely indicative. Great care is taken to provide up to date information in this publication, however, due to a continuing programme of design and development, we reserve the right to change these dimensions without prior notice. Please check the website for most up to date information. If a dimension is critical to the success of your project, please confirm it directly with the technical department. Throughout this publication, cut-out sizes refer to the aperture required when fittings are mounted in soft plasterboard. For fibrous tiles, timber, metal tiles and cast-in construction, check dimensions on site, or ask for a sample. Whitegoods reserves the right to discontinue any product in this publication at any time without prior notice.

Performance

All photometric data supplied is taken from a standard production luminaire tested under ideal laboratory conditions and may vary from data taken in alternative conditions. All calculated light levels and/or lighting plots provided are offered for guidance only. The customer must satisfy themselves that luminaires proposed are suitable for the application intended in all performance and physical criteria.

Temperature and physical environment

All products are tested with stated lamp wattage. Incorrect lamp types and wattages may effect efficiency, create glare and seriously overheat the luminaire. Adequate ventilation and free air space around fittings (in accordance with the installation instructions supplied with the product) will be necessary when used in confined spaces where elevated temperatures will occur. All luminaires are designed to operate in a maximum 30degree ambient temperature. Operating in ambient temperatures above this can affect performance and the mechanical functionality of the luminaire.

Intellectual property

In order that we can continue to develop innovative quality products, we believe it is of critical importance that we protect our ideas and visions. Therefore any infringement of our intellectual property will be vigorously pursued.

Returns

We cannot offer refunds on Custom or Tailored products, Standard product may be eligible for re-stocking within 3 months of original purchase date, subject to a 30% handling charge. All original packaging and documentation must be present and goods must be in original condition.

Service

Whitegoods will endeavor to fulfill all orders as quickly as possible and treat all customers with the highest regard. For further information about Whitegoods products and services, please visit www.whitegoods.com.

WEEE directive



The Waste Electrical and Electronic Equipment Directive (WEEE Directive) is the European Community directive 2002/96/EC on waste electrical and electronic equipment, together with the RoHS Directive 2002/95/EC which became European Law in February 2003, setting collection, recycling and recovery targets for all types of electrical goods. This imposes responsibility for the disposal of waste electrical and electronic equipment (WEEE) on the manufacturers of such equipment. To meet these targets Whitegoods has become a member of Lumicom to allow us to meet the current and future directives. For further information on the WEEE directive please contact our offices. WEEE Registration number is WEE/FG0362QY