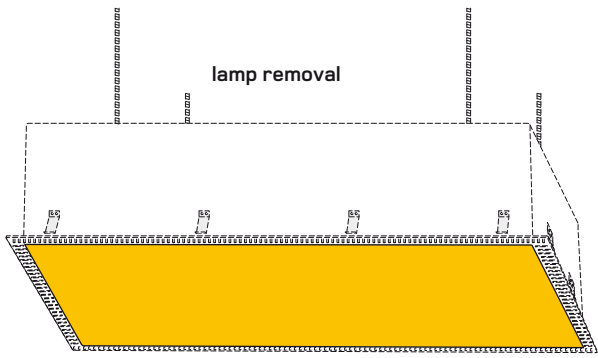


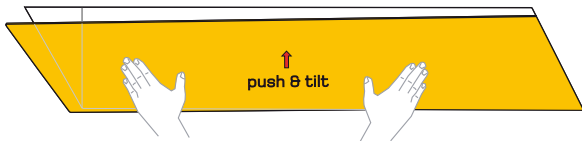
whitegoods



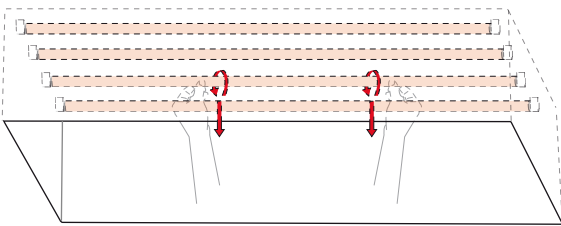
1



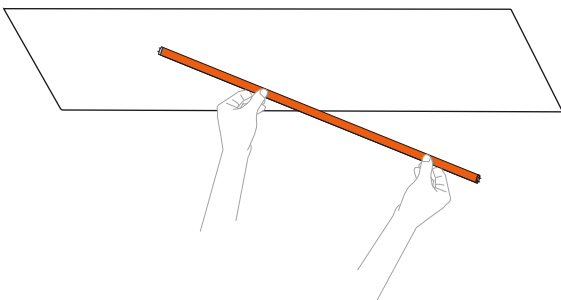
2



3



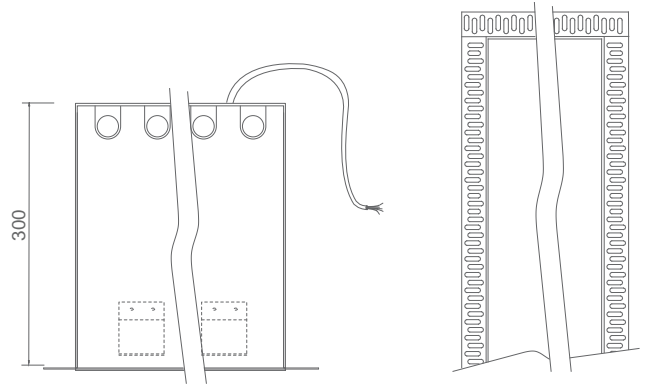
4



5

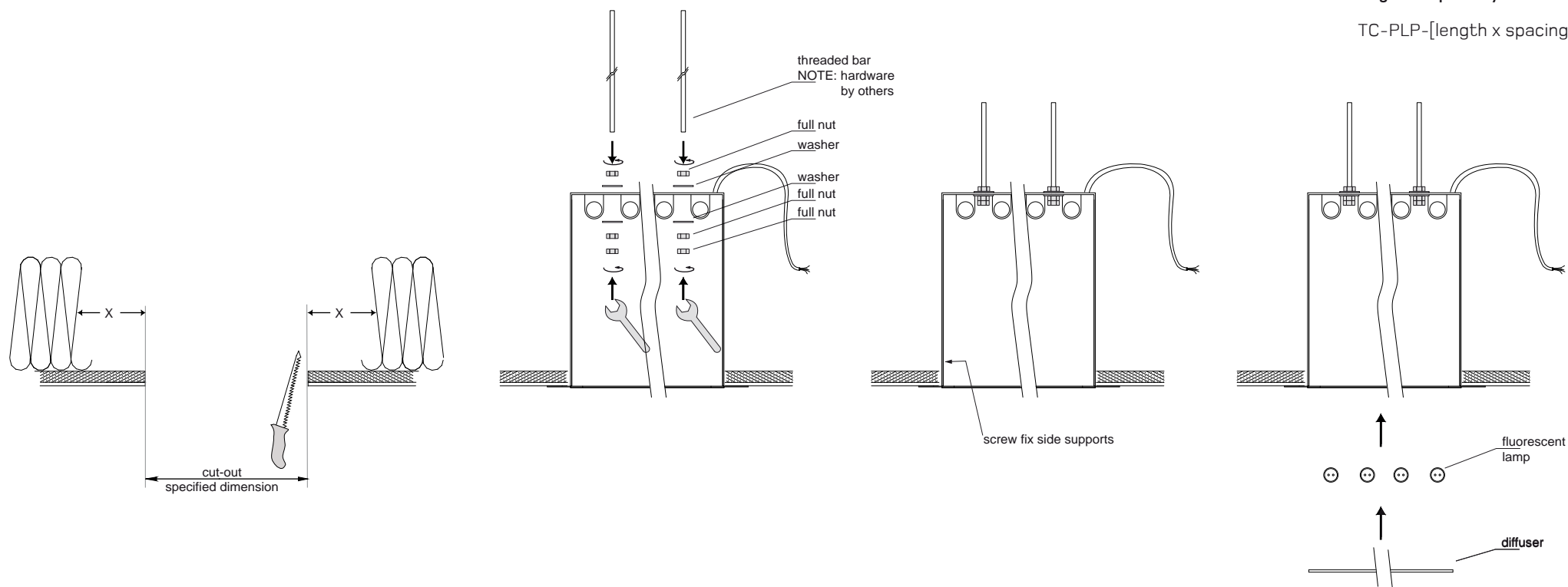
installation instructions / large area panel system

P300LP-length (mm) x 300mm
P600LP-length (mm) x 600mm
PLAP-length (mm) x spacing mm



**installation instructions /
large area panel system**

TC-PLP-[length x spacing]



ENG

All large area panel luminaires require support from above as shown, 4 supports per unit.
Mains power supply to enter through top plate grommit hole.

FR

Les luminaires linéaires fluorescents nécessitent d'un support par le haut comme indiqué : 4 supports par luminaire.
L'alimentation sur le secteur doit entrer par l'oeillet sur la plaque de dessus.

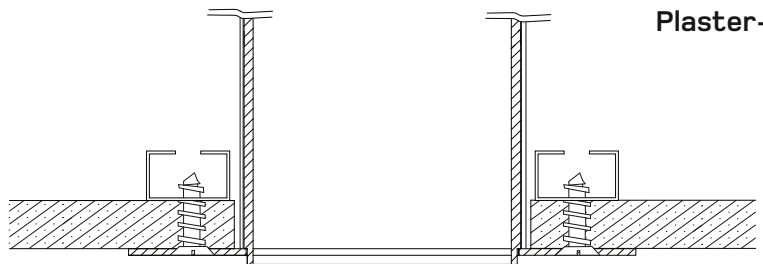
SP

Todas las luminarias fluorescentes lineares requieren un soporte superior, como se muestra, 4 soportes para luminaria.
Ingreso de alimentación eléctrica a través del orificio de la placa arriba del pasa cables.

ITA

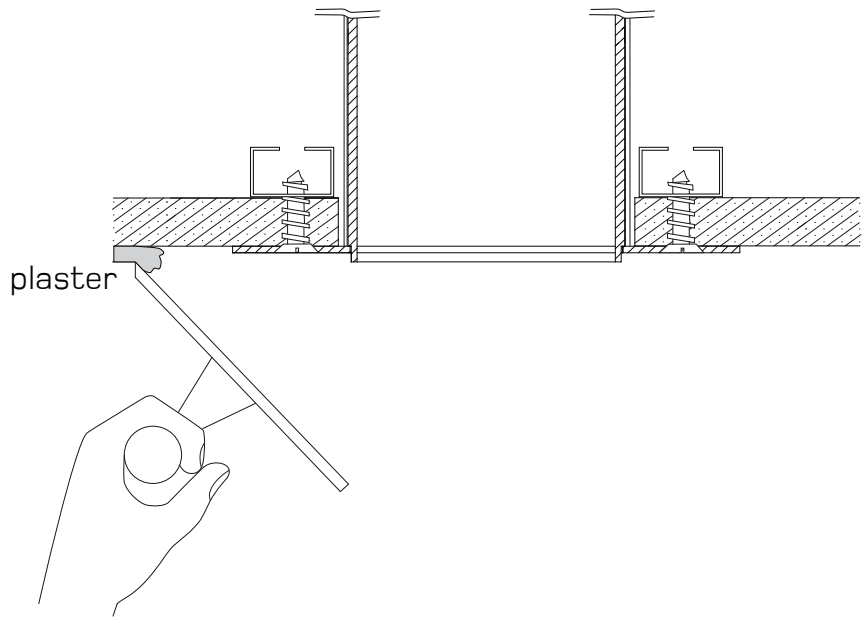
Tutti i sistemi di illuminazione fluorescenti lineari devono essere sostenuti da quattro supporti come mostrato in figura.
Il cavo della corrente va fatto passare nell'apposito foro passacavi nella parte superiore della lampada.

1 Ensure the housing is fixed securely in place

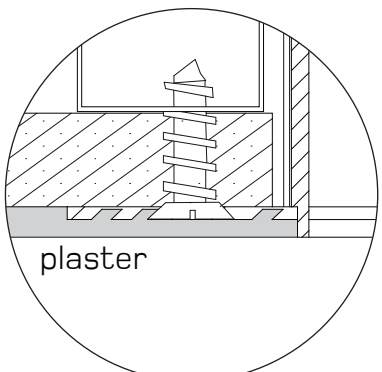
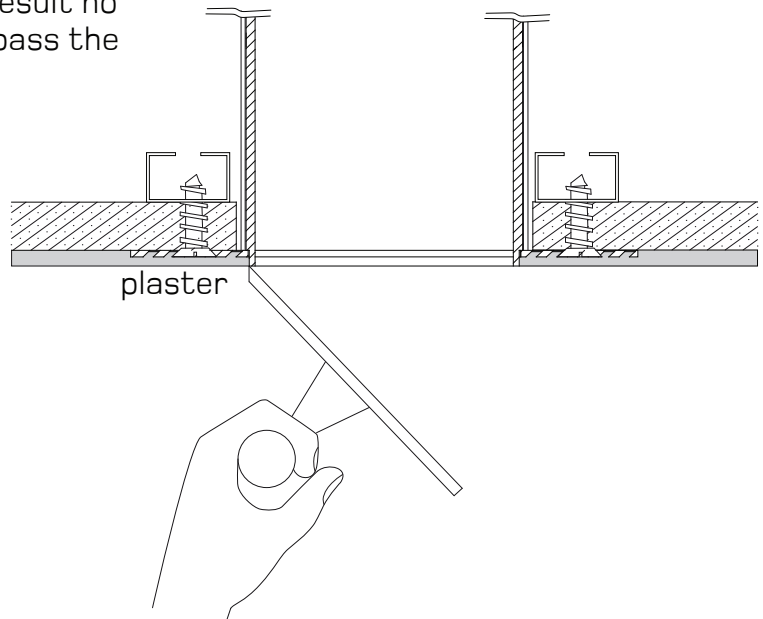


Plaster-in finish instructions

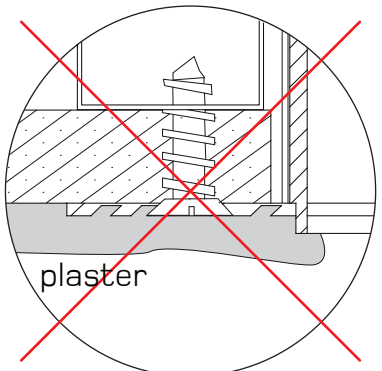
2 Distribute an even amount of plaster that conceals the trim of the housing.



3 Ensure there is a smooth and neat finish at the edge of the housing. To achieve the correct result no plaster is to pass the housing lip

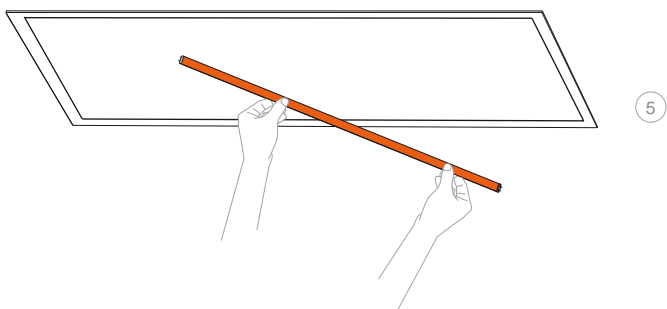
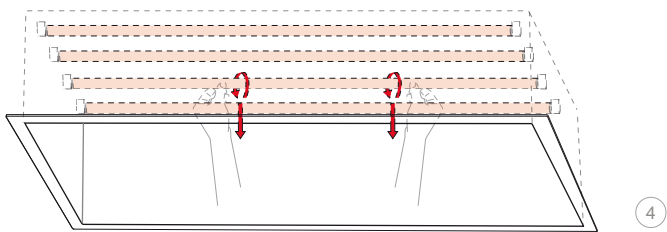
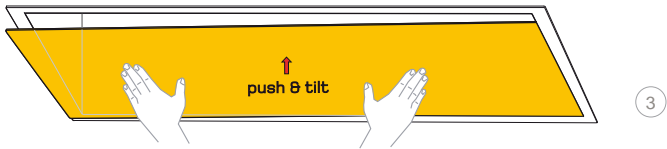
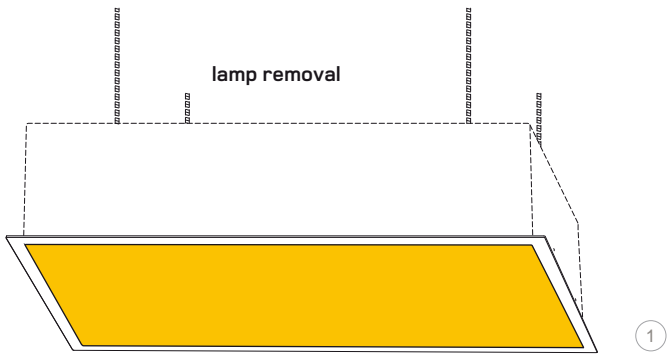


Correct finish



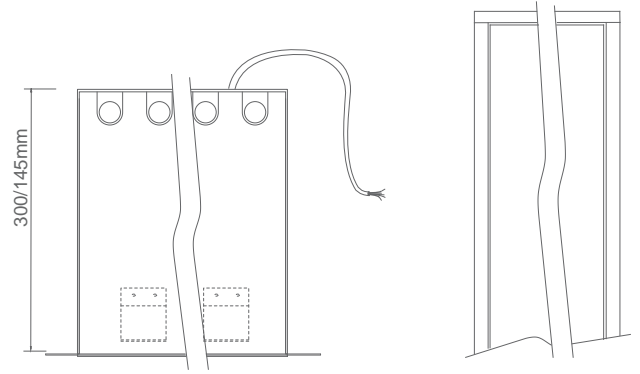
Incorrect finish

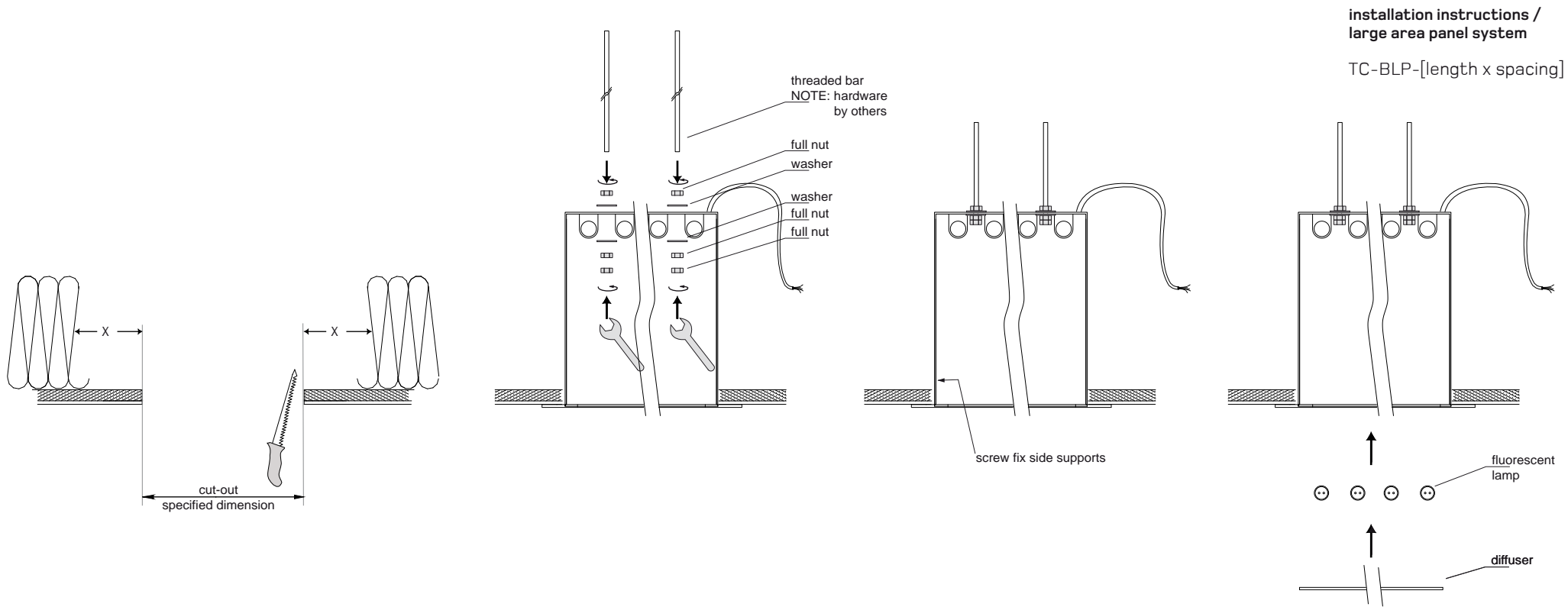
whitegoods



installation instructions / large area panel system

B300LP-length (mm) x 300mm
B600LP-length (mm) x 600mm
BLAP-length (mm) x spacing mm





ENG

All large area panel luminaires require support from above as shown, 4 supports per unit.
Mains power supply to enter through top plate grommit hole.

FR

Les luminaires linéaires fluorescents nécessitent d'un support par le haut comme indiqué : 4 supports par luminaire.
L'alimentation sur le secteur doit entrer par l'oeillet sur la plaque de dessus.

SP

Todas las luminarias fluorescentes lineares requieren un soporte superior, como se muestra, 4 soportes para luminaria.
Ingreso de alimentación eléctrica a través del orificio de la placa arriba del pasa cables.

ITA

Tutti i sistemi di illuminazione fluorescenti lineari devono essere sostenuti da quattro supporti come mostrato in figura.
Il cavo della corrente va fatto passare nell'apposito foro passacavi nella parte superiore della lampada.

Installation The installation of these products should only be carried out by a suitably qualified electrician in accordance with the instructions supplied with the product. All installation instructions can be downloaded from our website. We recommend that they are included with construction issue drawings and specifications.

Ceiling void depths for recessed downlights and linear luminaires: The Ceiling void depth should ideally be 25mm deeper than the overall height of the luminaire. When a fire-hood and/or a remote emergency pack is to be used, the void depth and space surrounding the luminaire will need to be increased.

Dimensions and specification The drawings, dimensions and finishes of the products in this catalogue and any accompanying information are purely indicative. Great care is taken to provide up to date information in this publication, however, due to a continuing programme of design and development, we reserve the right to change these dimensions without prior notice. Please check the website for most up to date information. If a dimension is critical to the success of your project, please confirm it directly with the technical department. Throughout this publication, cut-out sizes refer to the aperture required when fittings are mounted in soft plasterboard. For fibrous tiles, timber, metal tiles and cast-in construction, check dimensions on site, or ask for a sample. Whitegoods reserves the right to discontinue any product in this publication at any time without prior notice.

Performance All photometric data supplied is taken from a standard production luminaire tested under ideal laboratory conditions and may vary from data taken in alternative conditions. All calculated light levels and/or lighting plots provided are offered for guidance only. The customer must satisfy themselves that luminaires proposed are suitable for the application intended in all performance and physical criteria.

Temperature and physical environment All products are tested with stated lamp wattage. Incorrect lamp types and wattages may effect efficiency, create glare and seriously overheat the luminaire. Adequate ventilation and free air space around fittings (in accordance with the installation instructions supplied with the product) will be necessary when used in confined spaces where elevated temperatures will occur. All luminaires are designed to operate in a maximum 30degree ambient temperature. Operating in ambient temperatures above this can affect performance and the mechanical functionality of the luminaire.

Intellectual property In order that we can continue to develop innovative quality products, we believe it is of critical importance that we protect our ideas and visions. Therefore any infringement of our intellectual property will be vigorously pursued.

Returns We cannot offer refunds on Custom or Tailored products, Standard product may be eligible for re-stocking within 3 months of original purchase date, subject to a 30% handling charge. All original packaging and documentation must be present and goods must be in original condition.

Service Whitegoods will endeavor to fulfill all orders as quickly as possible and treat all customers with the highest regard. For further information about Whitegoods products and services, please visit www.whitegoods.com.

WEEE directive The Waste Electrical and Electronic Equipment Directive (WEEE Directive) is the European Community directive 2002/96/EC on waste electrical and electronic equipment, together with the RoHS Directive 2002/95/EC which became European Law in February 2003, setting collection, recycling and recovery targets for all types of electrical goods. This imposes responsibility for the disposal of waste electrical and electronic equipment (WEEE) on the manufacturers of such equipment. To meet these targets Whitegoods has become a member of Lumicom to allow us to meet the current and future directives. For further information on the WEEE directive please contact our offices. WEEE Registration number is WEE/FG0362QY

