



WARNING:
INSTALL PRODUCT IN ACCORDANCE WITH LOCAL AND NATIONAL ELECTRICAL CODES BY A QUALIFIED ELECTRICIAN OR ELECTRICAL CONTRACTOR.



WARNING:
FAILURE TO COMPLY WITH THE INSTALLATION INSTRUCTIONS MAY RESULT IN DEATH OR SERIOUS INJURY



WARNING:
READ ALL SAFETY INSTRUCTIONS INCLUDED WITH LUMINAIRE BEFORE INSTALLING LUMINAIRE.

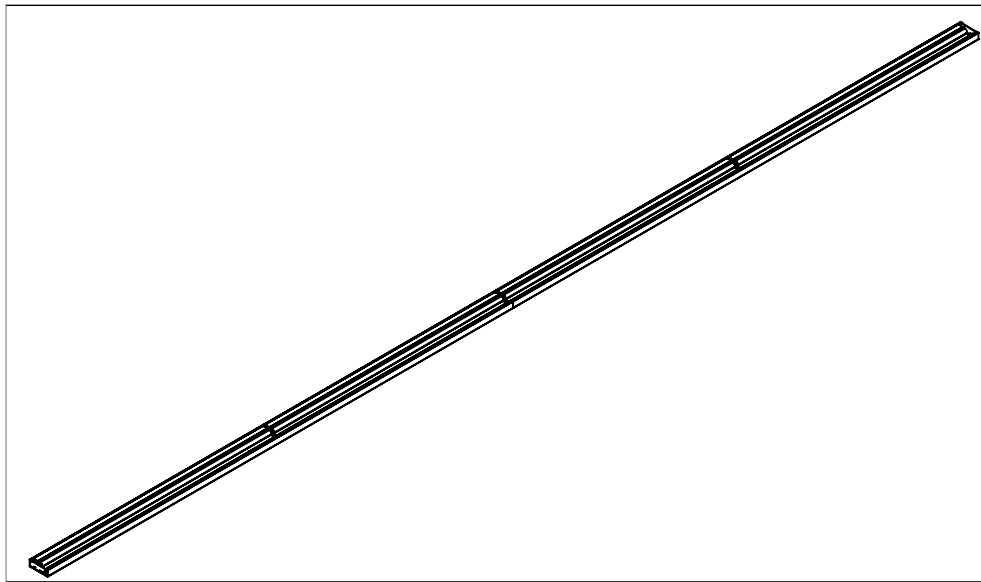
CAUTION:

THIS IS AN ELECTRONIC DEVICE. CARE MUST BE TAKEN DURING STORAGE AND HANDLING. STORE IN A CLEAN, COOL AND DRY LOCATION. ELECTROSTATIC DISCHARGE (ESD) CAN HARM THIS PRODUCT. AVOID STATIC DISCHARGE WHILE HANDLING THIS PRODUCT.

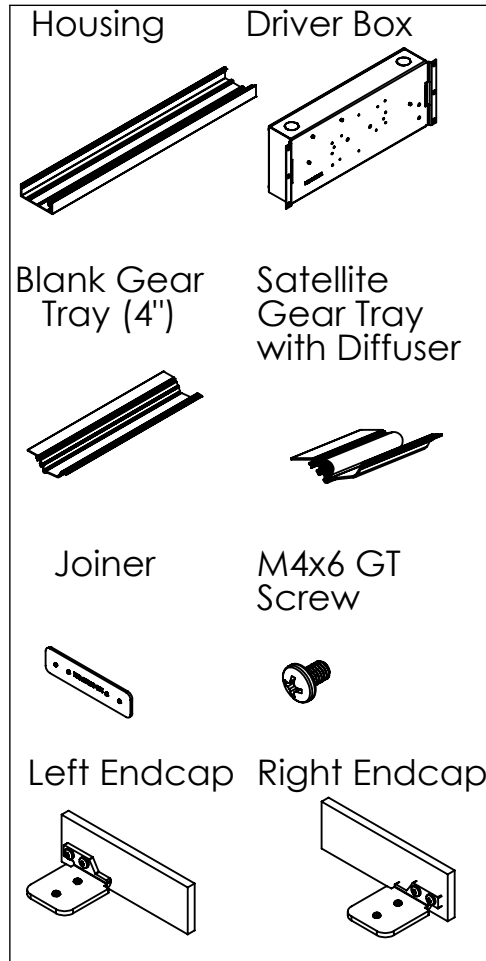
CAUTION:

INTER-LUX IS NOT RESPONSIBLE FOR THE STRUCTURAL INTEGRITY OF THE BUILDING TO SUPPORT THE LUMINAIRE. ADDITIONAL BACKING MAY BE REQUIRED.

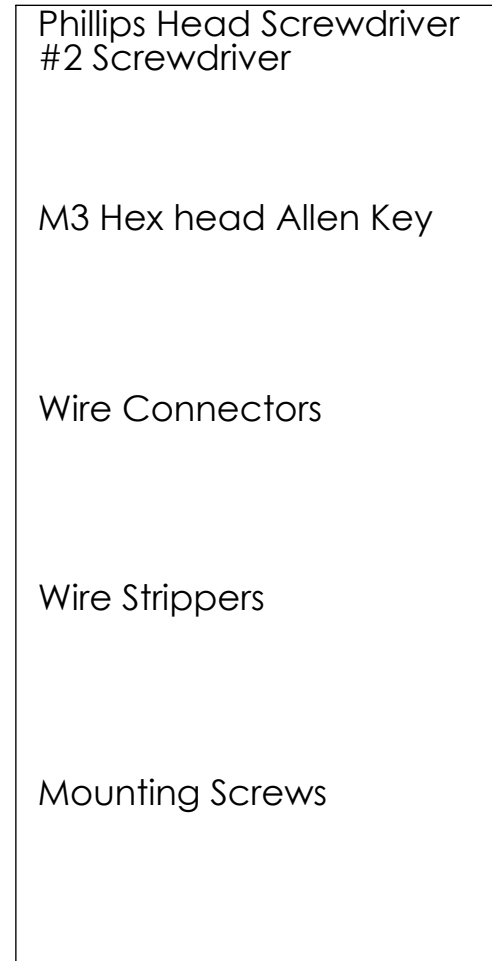
ISOMETRIC VIEWS



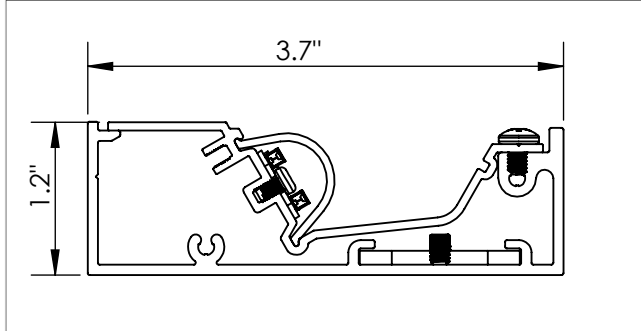
PACKAGE MAY INCLUDE: (refer to package list to identify parts)



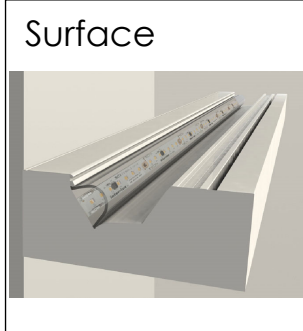
ITEMS NEEDED (SUPPLIED BY OTHERS):



MOUNTING DIMENSIONS



MOUNTING OPTIONS



INSTALLATION INSTRUCTIONS

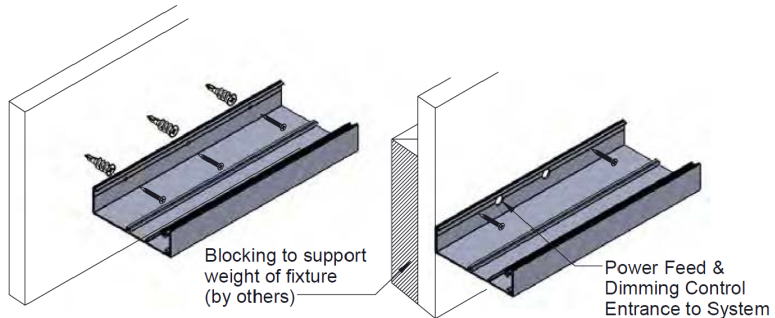
LOCATE AND REVIEW ANY CONSTRUCTION PLANS AND INTERLUX RECORD DRAWINGS FOR ALL FIXTURE RUNS.

It is recommended to locate and lay out all components for each fixture "run". A fixture run typically consist of joiners, lengths of housings, lengths of gear trays with diffuser, blank gear trays, endcaps or wall returns and power supply(ies). BE SURE TO IDENTIFY ALL CORRECT LENGTHS FOR EACH FIXTURE RUN.

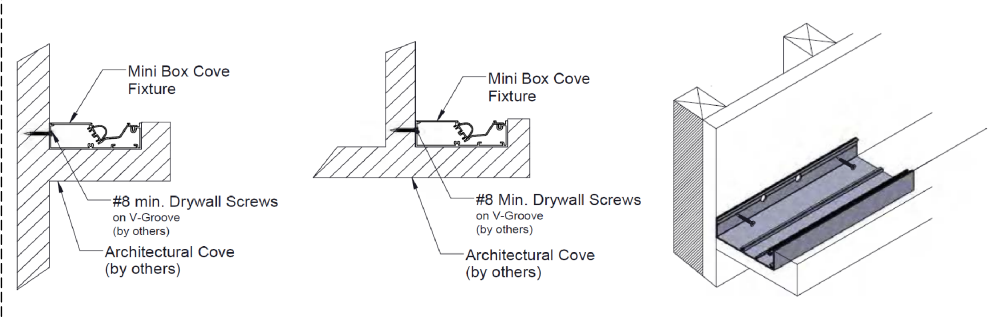
Step 1: Turn off Power before Installing.

Mount driver in enclosure where required and run low voltage wire from this location to applicable area. Mount housing extrusion to the mounting surface at desired height with fasteners. Surrounding structure is required to support the weight of the fixture. (Recommended: start at end wall for linear fixtures or corner for rectangular and U-shapes.)

Surface Application

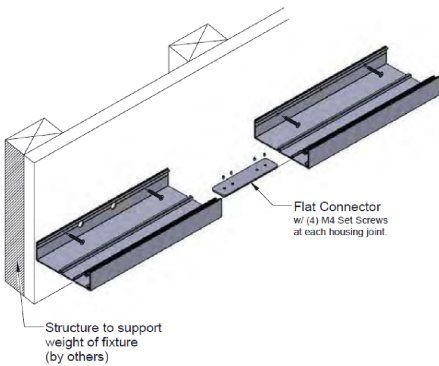


Lay-in Cove application

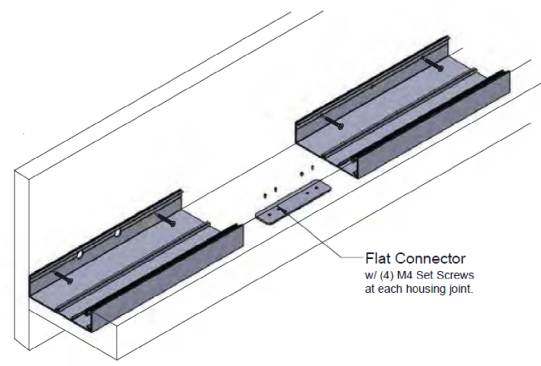


Step 2: (if single housing skip this step) Mount next housing extrusion as shown by sliding the provided joiner into the adjacent housing. Secure in place by tightening set screws. Mount housing to structure. Repeat this step until all housings are installed and mounted.

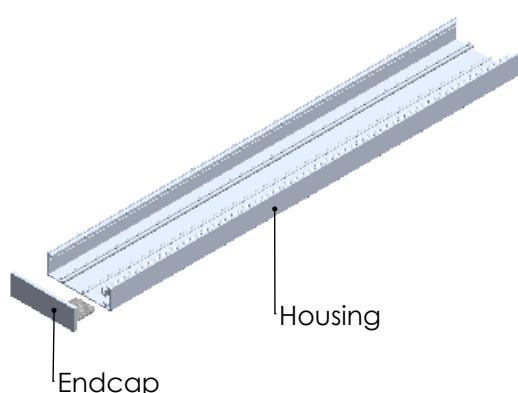
Surface Application



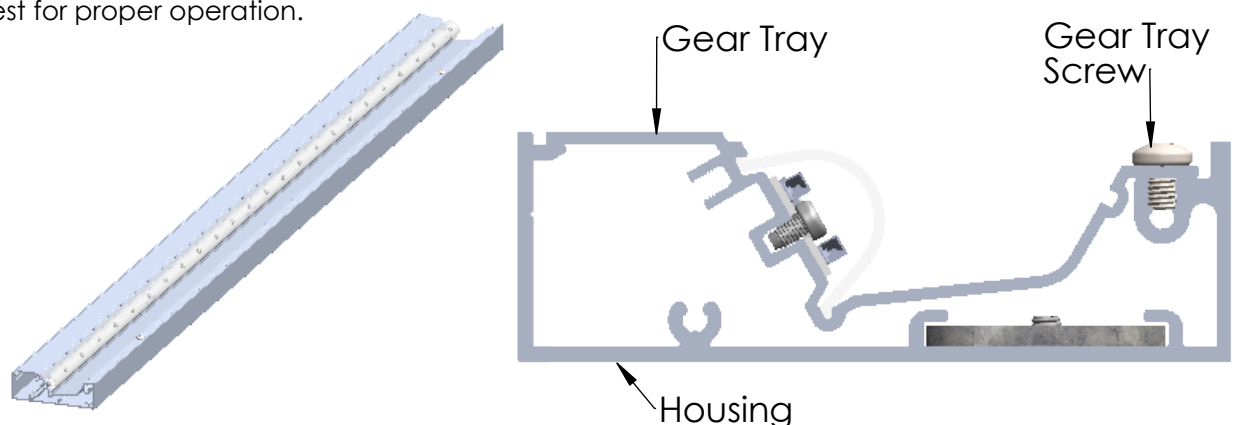
Lay-in Cove application



Step 3: (if no endcaps skip this step) Install endcaps on ends of first and last housing.



Step 4: Install Gear Trays making electric connections first, then insert gear tray into housing. Refer to pages 2&3 for wiring diagrams if needed. Refer to record drawings for gear tray placement. Secure gear tray to housing using screws in pre-drilled holes. Repeat this step until all gear trays are installed. Energize and test for proper operation.



WARNING:
INSTALL PRODUCT IN ACCORDANCE WITH LOCAL AND NATIONAL ELECTRICAL CODES BY A QUALIFIED ELECTRICIAN OR ELECTRICAL CONTRACTOR.

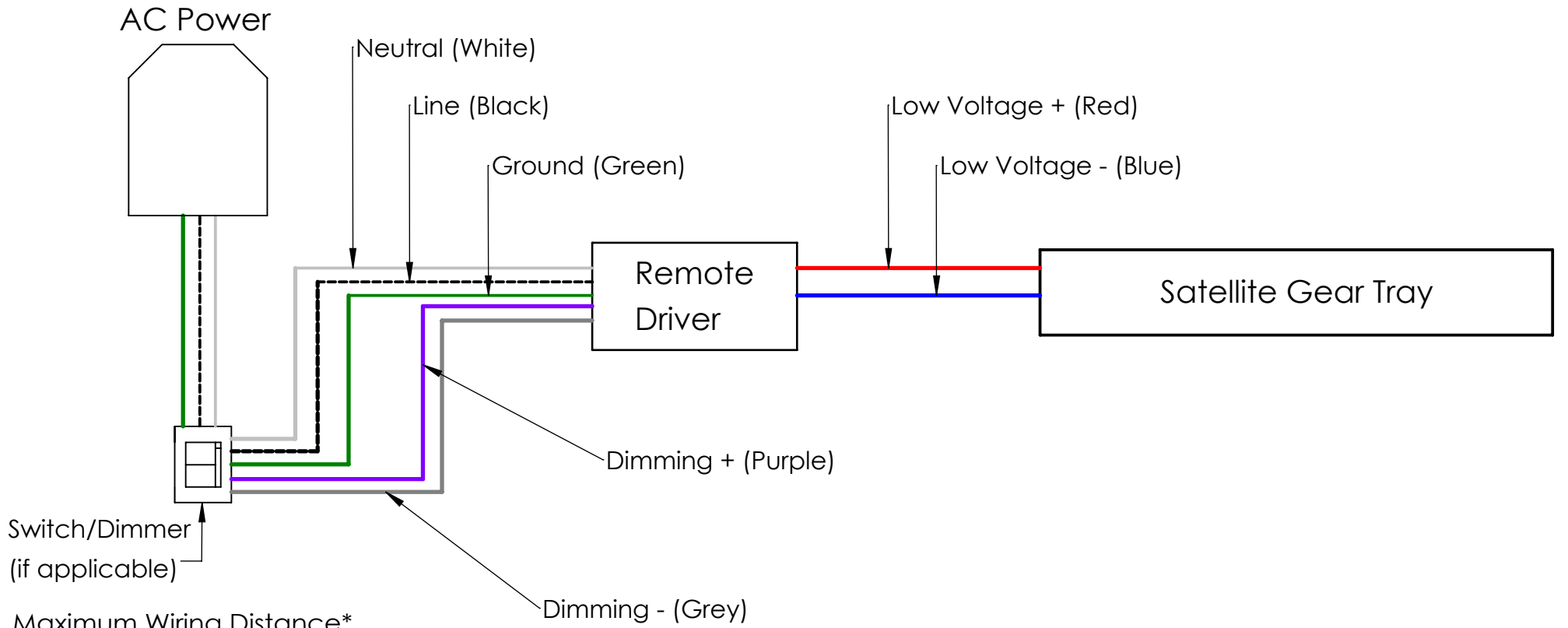
WARNING:
FAILURE TO COMPLY WITH THE INSTALLATION INSTRUCTIONS MAY RESULT IN DEATH OR SERIOUS INJURY

WARNING:
READ ALL SAFETY INSTRUCTIONS INCLUDED WITH LUMINAIRE BEFORE INSTALLING LUMINAIRE.

CAUTION:
THIS IS AN ELECTRONIC DEVICE. CARE MUST BE TAKEN DURING STORAGE AND HANDLING. STORE IN A CLEAN, COOL AND DRY LOCATION. ELECTROSTATIC DISCHARGE (ESD) CAN HARM THIS PRODUCT. AVOID STATIC DISCHARGE WHILE HANDLING THIS PRODUCT.

CAUTION:
INTER-LUX IS NOT RESPONSIBLE FOR THE STRUCTURAL INTEGRITY OF THE BUILDING TO SUPPORT THE LUMINAIRE. ADDITIONAL BACKING MAY BE REQUIRED.

Wiring Key



Maximum Wiring Distance*

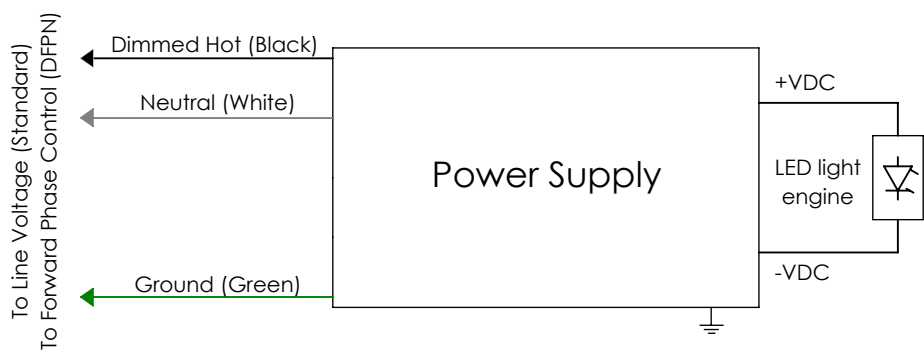
Wire Gauge	Maximum Lead Length			
	Osram			Lutron
	≤ 48W	≤ 72W	≤ 96W	≤ 40W
#18AWG	37'	25'	18'	15'
#16AWG	59'	39'	29'	25'
#14AWG	95'	63'	47'	40'
#12AWG	151'	101'	75'	60'

*Actual Voltage drop to be calculated by installer

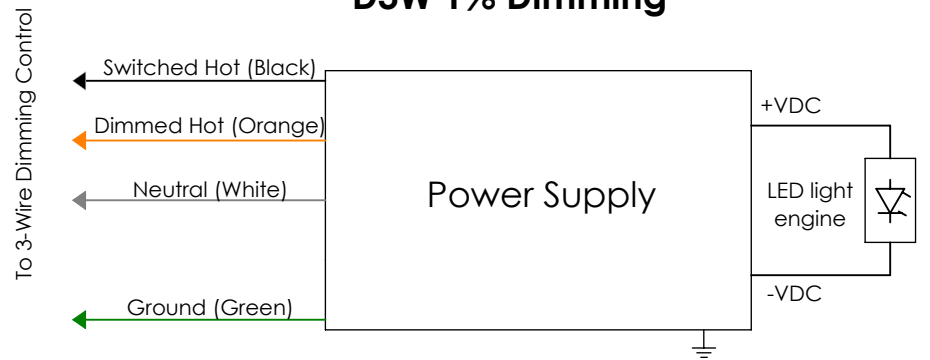
Red	Blue	Green	Black	White	Purple	Grey
Positive	Negative	Ground	Line	Neutral	Dimming +	Dimming -

Driver Wiring Diagrams

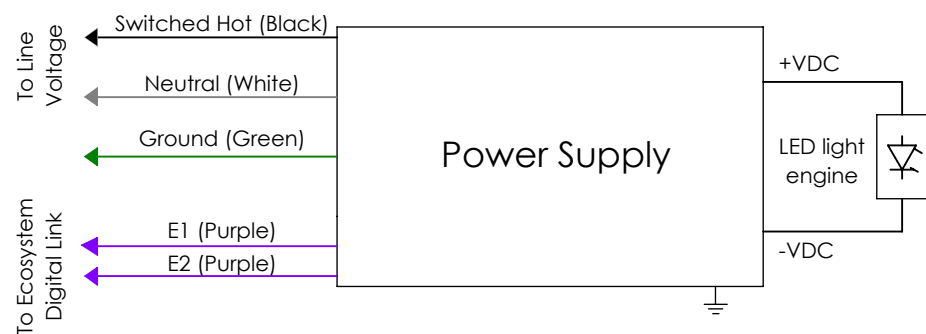
Standard Non-Dimming/DFPN Dimming



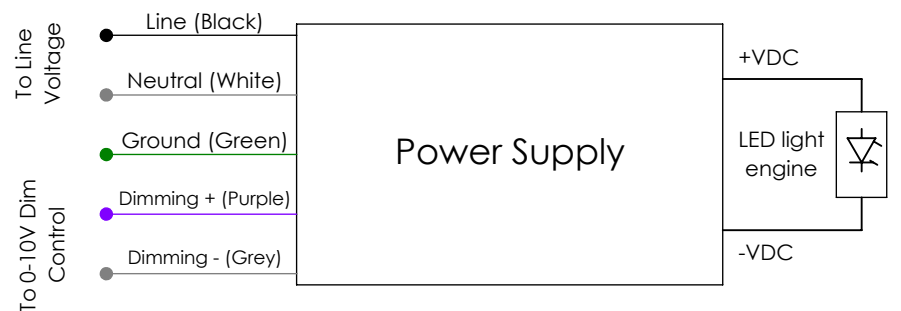
D3W 1% Dimming



DES 1% Dimming



0-10V Dimming



NOTE: ALL DRIVERS ARE INTER-LUX PROVIDED. FOR NON INTER-LUX DRIVERS PLEASE REFER TO DRIVER MANUFACTURERS. THE USE OF NON INTER-LUX DRIVERS VOIDS PRODUCT WARRANTY



WARNING:

INSTALL PRODUCT IN ACCORDANCE WITH LOCAL AND NATIONAL ELECTRICAL CODES BY A QUALIFIED ELECTRICIAN OR ELECTRICAL CONTRACTOR.



WARNING:

FAILURE TO COMPLY WITH THE INSTALLATION INSTRUCTIONS MAY RESULT IN DEATH OR SERIOUS INJURY



WARNING:

READ ALL SAFETY INSTRUCTIONS INCLUDED WITH LUMINAIRE BEFORE INSTALLING LUMINAIRE.

CAUTION:

THIS IS AN ELECTRONIC DEVICE. CARE MUST BE TAKEN DURING STORAGE AND HANDLING. STORE IN A CLEAN, COOL AND DRY LOCATION. ELECTROSTATIC DISCHARGE (ESD) CAN HARM THIS PRODUCT. AVOID STATIC DISCHARGE WHILE HANDLING THIS PRODUCT.

CAUTION:

INTER-LUX IS NOT RESPONSIBLE FOR THE STRUCTURAL INTEGRITY OF THE BUILDING TO SUPPORT THE LUMINAIRE. ADDITIONAL BACKING MAY BE REQUIRED.

WIRING DIAGRAM

