



WARNING:

INSTALL PRODUCT IN ACCORDANCE WITH LOCAL AND NATIONAL ELECTRICAL CODES BY A QUALIFIED ELECTRICIAN OR ELECTRICAL CONTRACTOR.



WARNING:

FAILURE TO COMPLY WITH THE INSTALLATION INSTRUCTIONS MAY RESULT IN DEATH OR SERIOUS INJURY



WARNING:

READ ALL SAFETY INSTRUCTIONS INCLUDED WITH LUMINAIRE BEFORE INSTALLING LUMINAIRE.

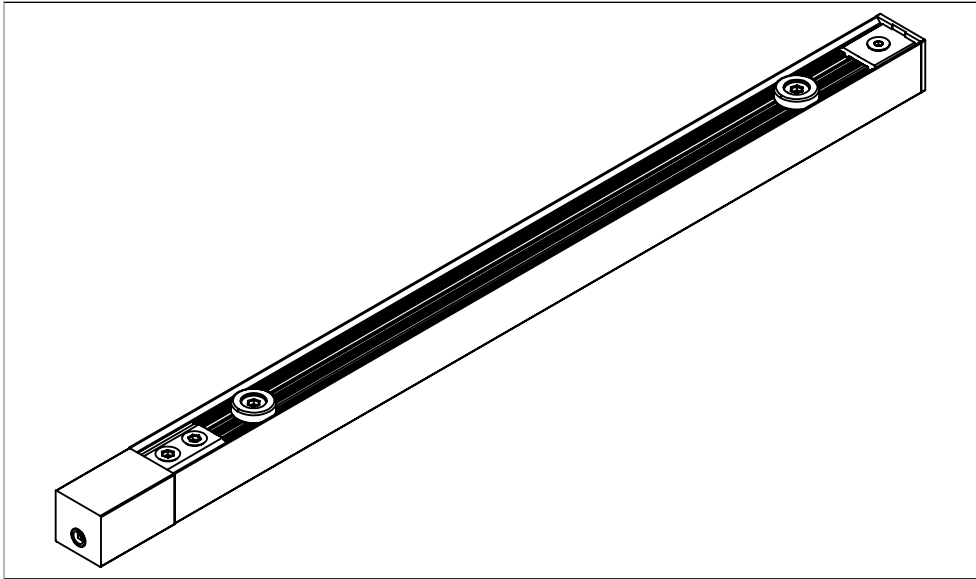
CAUTION:

THIS IS AN ELECTRONIC DEVICE. CARE MUST BE TAKEN DURING STORAGE AND HANDLING. STORE IN A CLEAN, COOL AND DRY LOCATION. ELECTROSTATIC DISCHARGE (ESD) CAN HARM THIS PRODUCT. AVOID STATIC DISCHARGE WHILE HANDLING THIS PRODUCT.

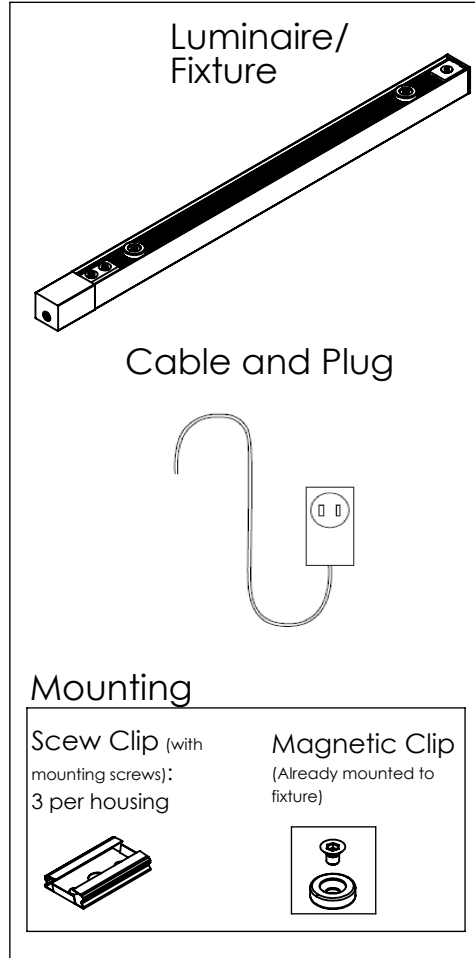
CAUTION:

INTER-LUX IS NOT RESPONSIBLE FOR THE STRUCTURAL INTEGRITY OF THE BUILDING TO SUPPORT THE LUMINAIRE. ADDITIONAL BACKING MAY BE REQUIRED.

ISOMETRIC VIEWS



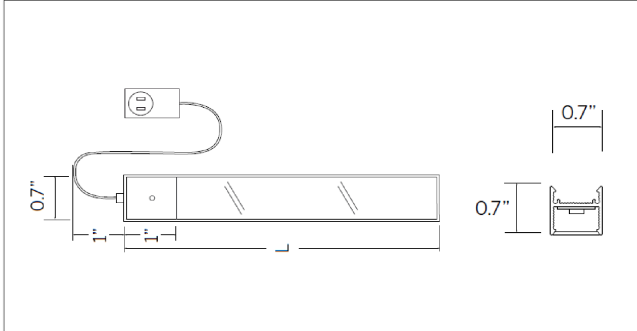
PACKAGE MAY INCLUDE: (refer to package list to identify parts)



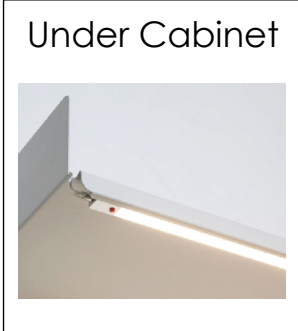
ITEMS NEEDED (SUPPLIED BY OTHERS):

Phillips Head Screwdriver
#2 Screwdriver

MOUNTING DIMENSIONS



MOUNTING OPTIONS

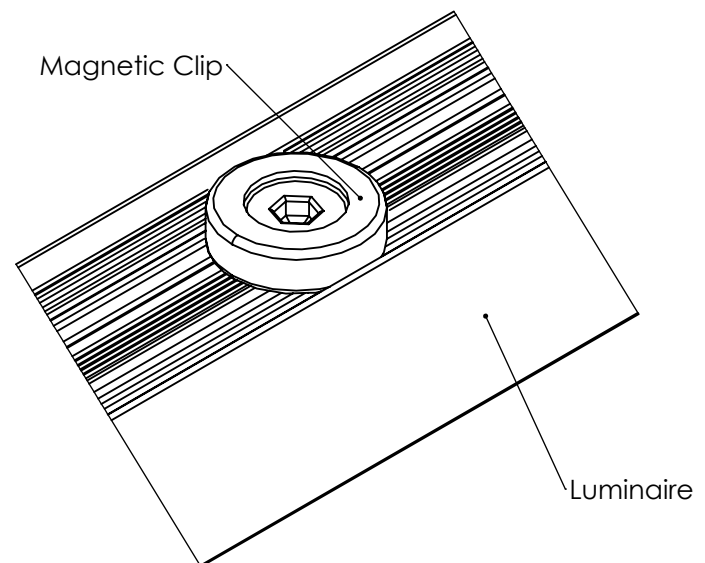
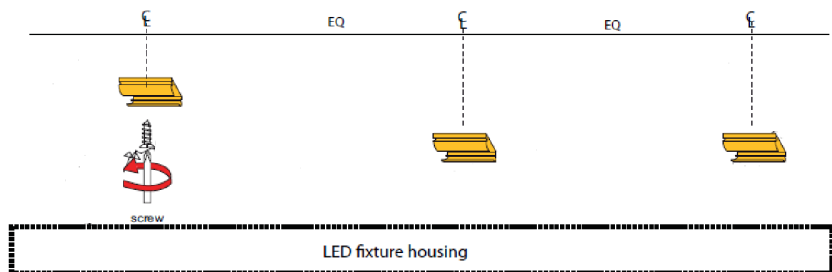


INSTALLATION INSTRUCTIONS

Step 1: Mounting

Screw Clip - Mark out holes for mounting clips. Secure mounting clips to surface using provided mounting screws. Secure fixture to surface via mounting clips.

Magnetic Clip - Magnetic clips should already be pre-installed on fixture. Mount fixture directly to magnetic surface.



Step 2 : Plug fixture in via cable and plug. Energize via On/Off switch to test for proper operation.

