







**WARNING:**  
INSTALL PRODUCT IN ACCORDANCE  
WITH LOCAL AND NATIONAL ELECTRICAL  
CODES BY A QUALIFIED ELECTRICIAN.

**WARNING:**  
FAILURE TO COMPLY WITH THE  
INSTALLATION INSTRUCTIONS MAY  
RESULT IN DEATH OR SERIOUS INJURY.

**WARNING:**  
READ ALL SAFETY INSTRUCTIONS  
INCLUDED WITH LUMINAIRE BEFORE  
INSTALLING LUMINAIRE. SAVE  
INSTRUCTIONS FOR FUTURE USE.

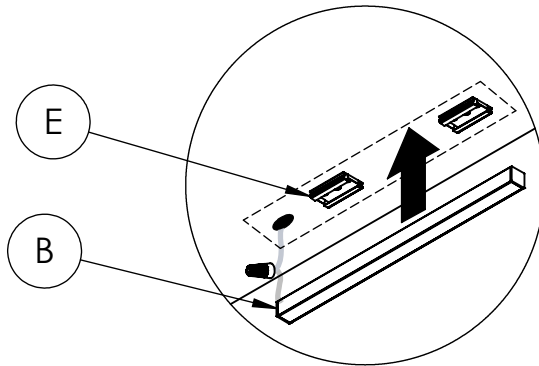
**CAUTION:**  
THIS IS AN ELECTRONIC DEVICE. CARE MUST BE TAKEN  
DURING STORAGE AND HANDLING. STORE IN A CLEAN, COOL  
AND DRY LOCATION. ELECTROSTATIC DISCHARGE (ESD) CAN  
HARM THIS PRODUCT. AVOID STATIC DISCHARGE WHILE  
HANDLING THIS PRODUCT.

**CAUTION:**  
INTER-LUX IS NOT RESPONSIBLE FOR THE  
STRUCTURAL INTEGRITY OF THE BUILDING TO  
SUPPORT THE LUMINAIRE. ADDITIONAL BACKING  
MAY BE REQUIRED.

**Step 6; Installation of Luminaire and testing:** The following steps are continuations of the processes started in step 5. Follow the same letter from before to finish the installation of the specified mounting method.

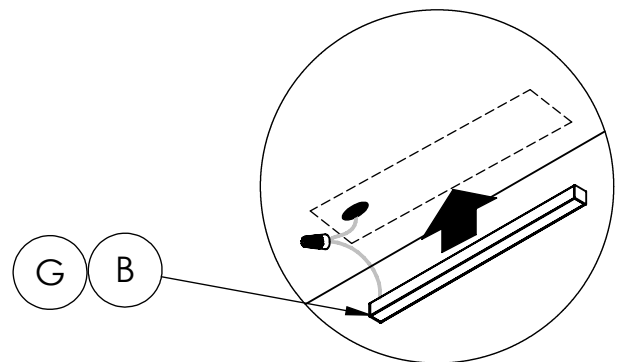
#### 6A; Installation of Luminaire on Hard Surface.

Pull low voltage cables of Driver (A) through power feed hole, and connect to luminaire (B) wires. Then, gently press the Luminaire (B) onto Screw Clips (E) until they snap together properly. Finally, power luminaire (B) to ensure proper operation.



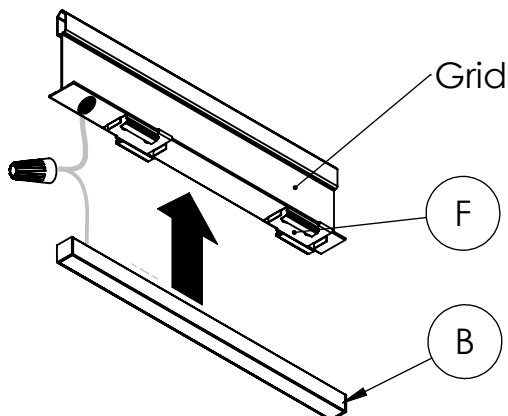
#### 6B; Installation of Luminaire on Ferrous surface.

After fastening of magnets (G) onto Luminaire (B), pull low voltage cables of Driver (A) through the power feed hole, and connect to Luminaire (B) wires. Then, gently attach magnets to surface as shown below. Finally, power luminaire (B) to ensure proper operation.



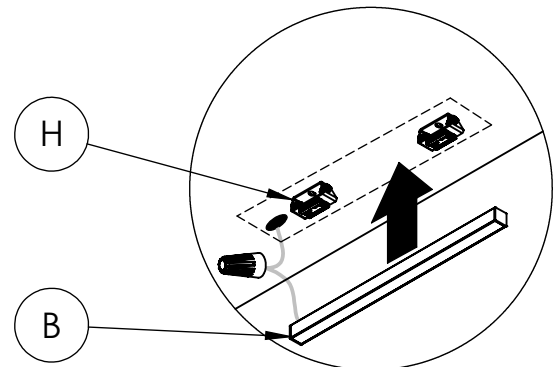
#### 6C; Installation of Luminaire on Grid Ceiling.

Pull low voltage cables of Driver (A) through power feed hole, and connect to luminaire (B) wires. Then, gently press the Luminaire (B) onto Grid Clips (F) until they snap together properly. Finally, power luminaire (B) to ensure proper operation.



#### 6D; Installation of Luminaire on Adjustable Bracket.

Pull low voltage cables of Driver (A) through power feed hole, and connect to luminaire (B) wires. Then, gently press the Luminaire (B) onto bracket clips (H) until they snap together properly. Finally, power luminaire (B) to ensure proper operation.



**WARNING:**  
INSTALL PRODUCT IN ACCORDANCE WITH LOCAL AND NATIONAL ELECTRICAL CODES BY A QUALIFIED ELECTRICIAN.

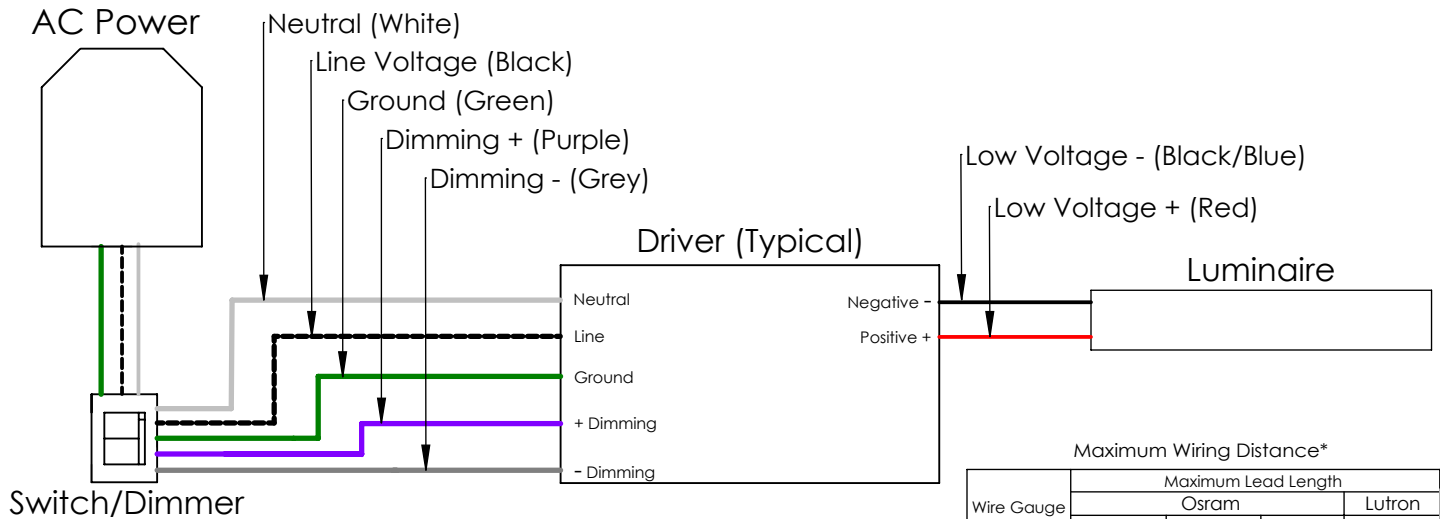
**WARNING:**  
FAILURE TO COMPLY WITH THE INSTALLATION INSTRUCTIONS MAY RESULT IN DEATH OR SERIOUS INJURY.

**WARNING:**  
READ ALL SAFETY INSTRUCTIONS INCLUDED WITH LUMINAIRE BEFORE INSTALLING LUMINAIRE. SAVE INSTRUCTIONS FOR FUTURE USE.

**CAUTION:**  
THIS IS AN ELECTRONIC DEVICE. CARE MUST BE TAKEN DURING STORAGE AND HANDLING. STORE IN A CLEAN, COOL AND DRY LOCATION. ELECTROSTATIC DISCHARGE (ESD) CAN HARM THIS PRODUCT. AVOID STATIC DISCHARGE WHILE HANDLING THIS PRODUCT.

**CAUTION:**  
INTER-LUX IS NOT RESPONSIBLE FOR THE STRUCTURAL INTEGRITY OF THE BUILDING TO SUPPORT THE LUMINAIRE. ADDITIONAL BACKING MAY BE REQUIRED.

### Wiring Key



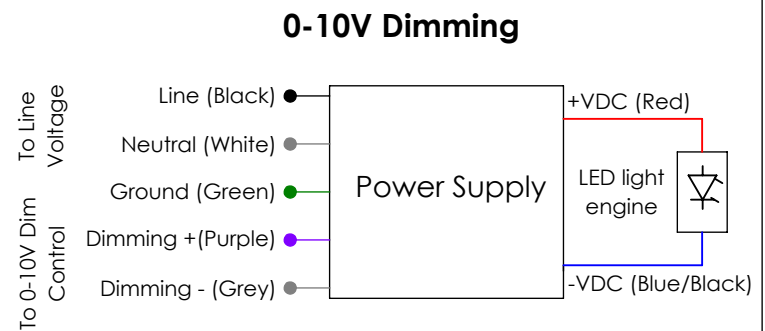
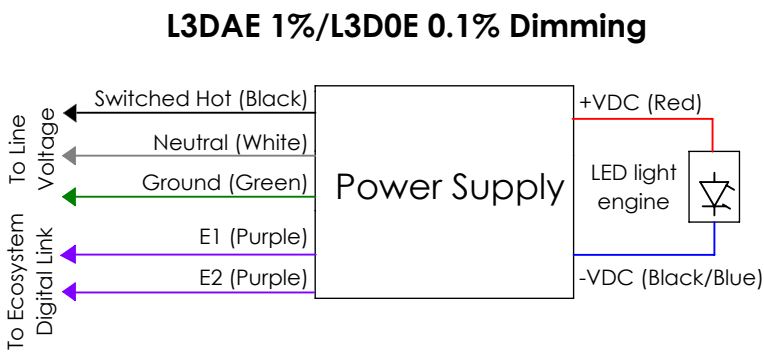
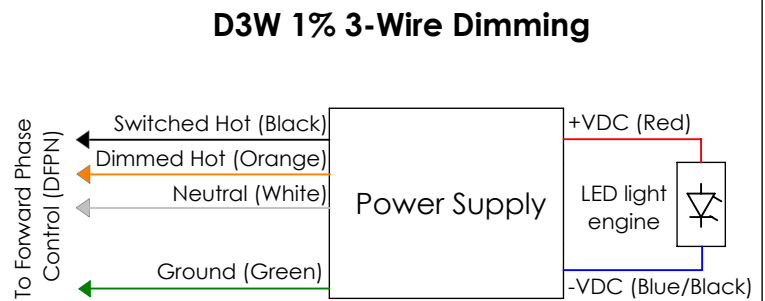
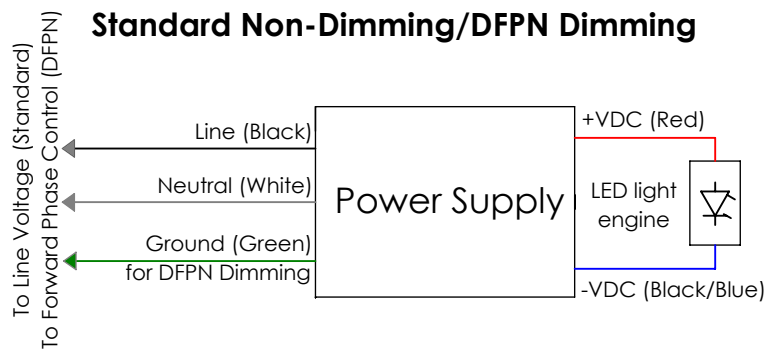
Red	Blue/Black	Green	Black	White	Purple	Grey
Positive	Negative	Ground	Line	Neutral	Dimming +	Dimming -

Maximum Wiring Distance\*

Wire Gauge	Maximum Lead Length			
	≤ 48W	≤ 72W	≤ 96W	≤ 40W
#18AWG	37'	25'	18'	15'
#16AWG	59'	39'	29'	25'
#14AWG	95'	63'	47'	40'
#12AWG	151'	101'	75'	60'

\*Actual Voltage drop to be calculated by installer

### Driver Wiring Diagrams



**NOTE: ALL SHOWN DRIVERS ARE INTER-LUX PROVIDED. FOR NON INTER-LUX PROVIDED DRIVERS PLEASE REFER TO DRIVER MANUFACTURERS. THE USE OF NON INTER-LUX PROVIDED DRIVERS VOIDS PRODUCT WARRANTY.**