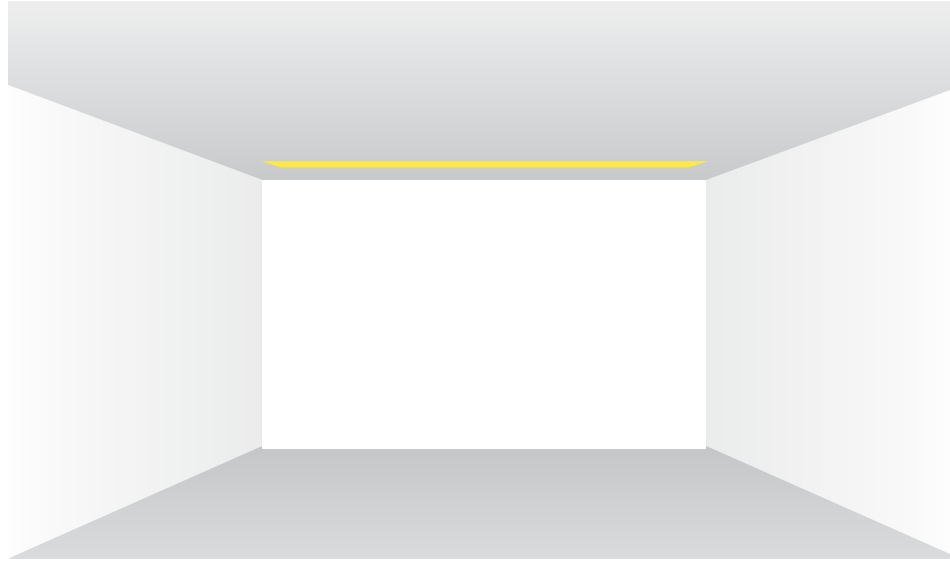


60 Linear - High Angle Illumination

WG 60LDL-RPT, WG 60LDL-RBT, WG 60LDL-SM

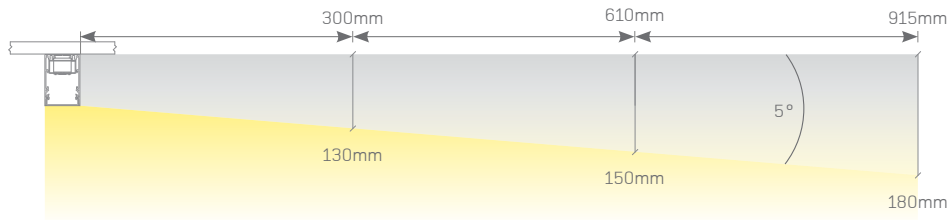


The 60 Linear is a versatile product. In its simplest form it is a recessed or surface mounted continuous linear strip of light.

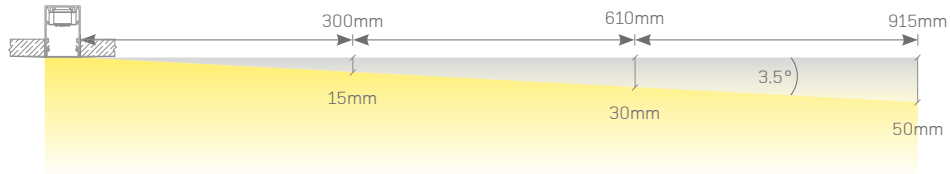
It can be used for general illumination, or lighting within architectural details, or to illuminate specific surfaces. Below you can see the effect on a wall when a 60LDL-RPT, RBT, SM is mounted at relatively close offset to a wall.

Angle of Illumination / High Angle Lighting Performance

WG 60LDL-SM



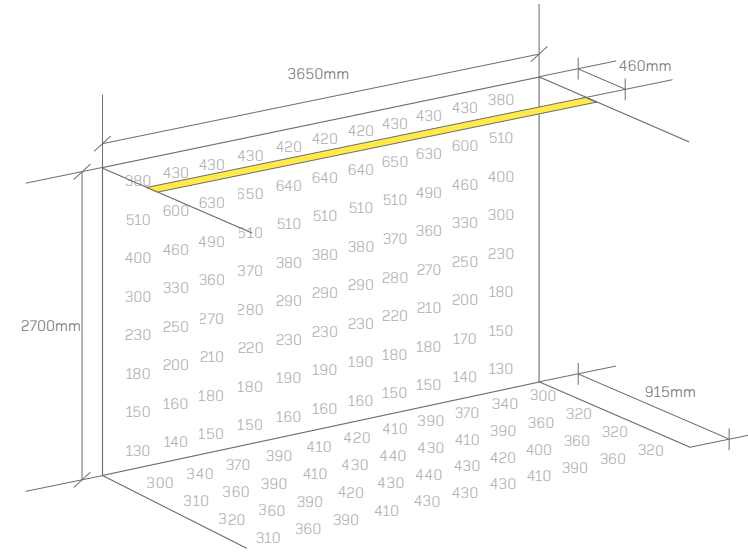
WG 60LDL-RPT, WG 60LDL-RBT



The diagrams show the point at which the contrast between the lit and the unlit perpendicular surface occurs as a soft transition line, at various distances from the luminaire.

Values in millimeters

2700mm Ceiling, 460mm Optimum Offset

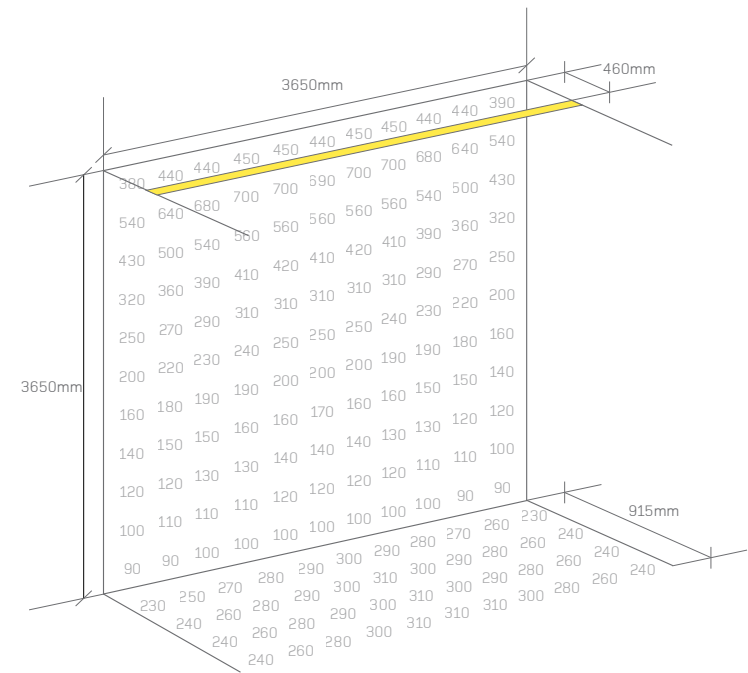


These diagrams indicate light levels to be expected on the wall and floor when using these luminaire types at various distances from the wall.

This page shows what we feel are the optimum offsets for the ceiling heights as shown.

The following page shows results at different offsets.

3650mm Ceiling, 460mm Optimum Offset



Values in Lux

Calculated on the following basis:

Reflectances	Maintenance Factor	LED	Diffuser
Ceiling 70%	1.0	2270lm/m*	Satin Opal
Walls 50%		3000 Kelvin	
Floor 20%		90 CRI	

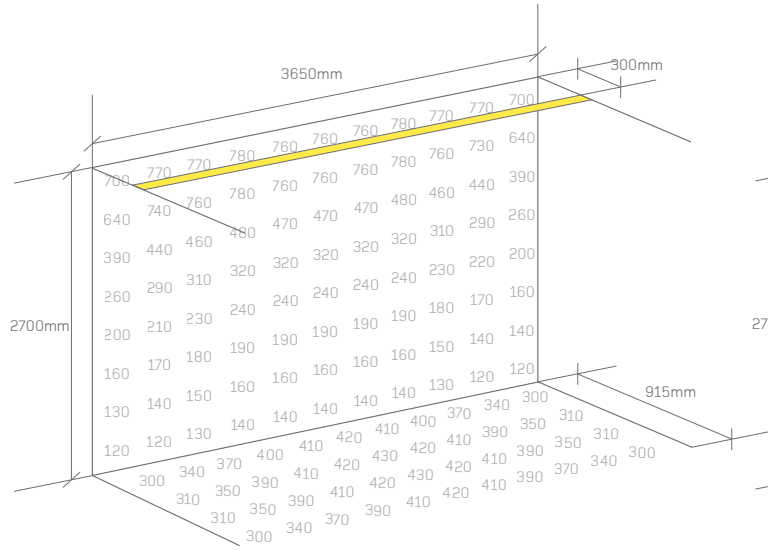
60 Linear Plaster Trim	60 Linear Bezel Trim	60 Linear Surface Mount
Product Details	Product Details	Product Details
184	186	188

*Lumen data correct at the time of print. Source lumens shown. For up to date lumen data refer to specsheet.

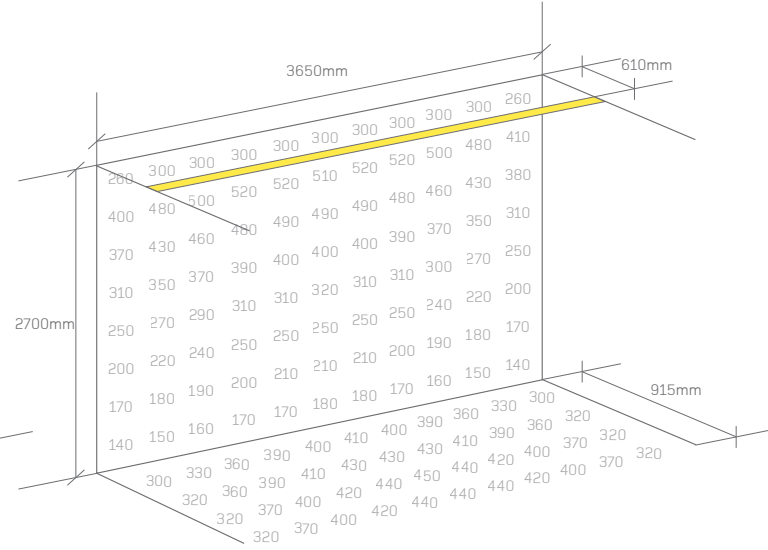
60 Linear - High Angle Illumination

WG 60LDL-RPT, WG 60LDL-RBT, WG 60LDL-SM

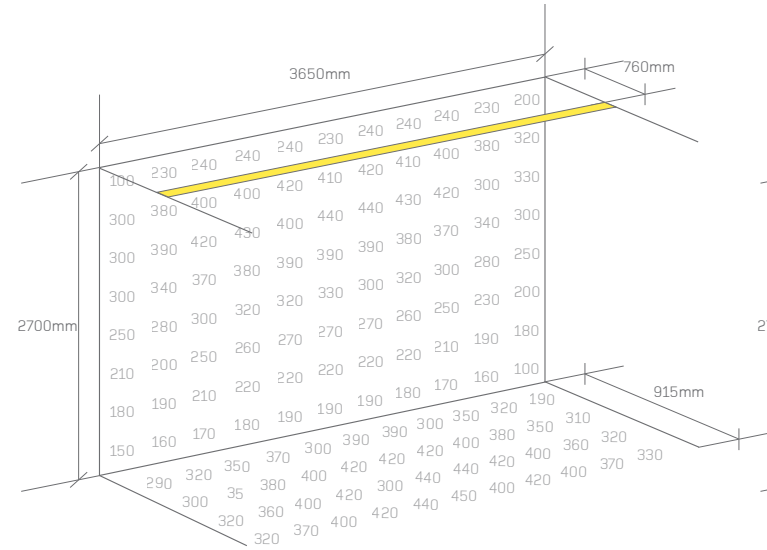
2700mm Ceiling, 300mm Offset



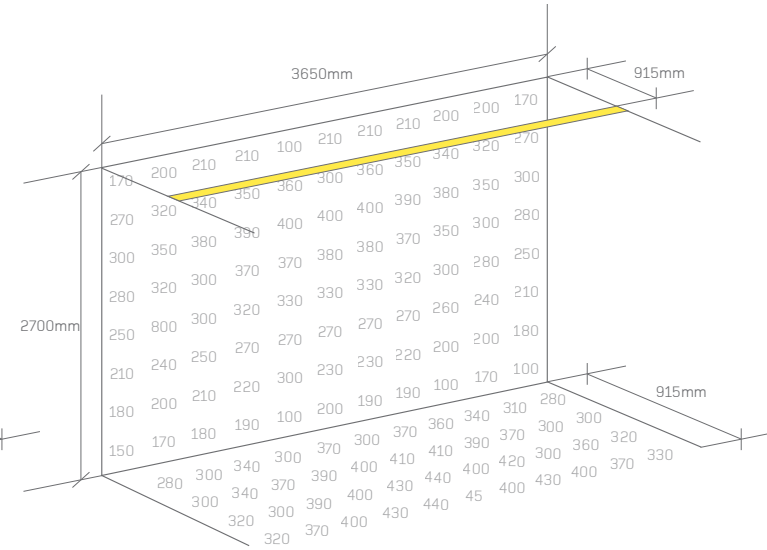
2700mm Ceiling, 610mm Offset



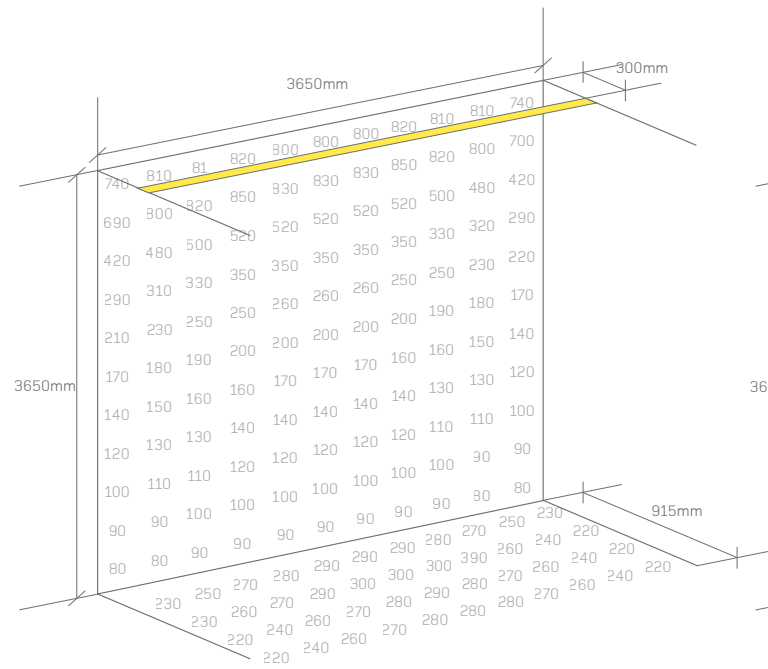
2700mm Ceiling, 760mm Offset



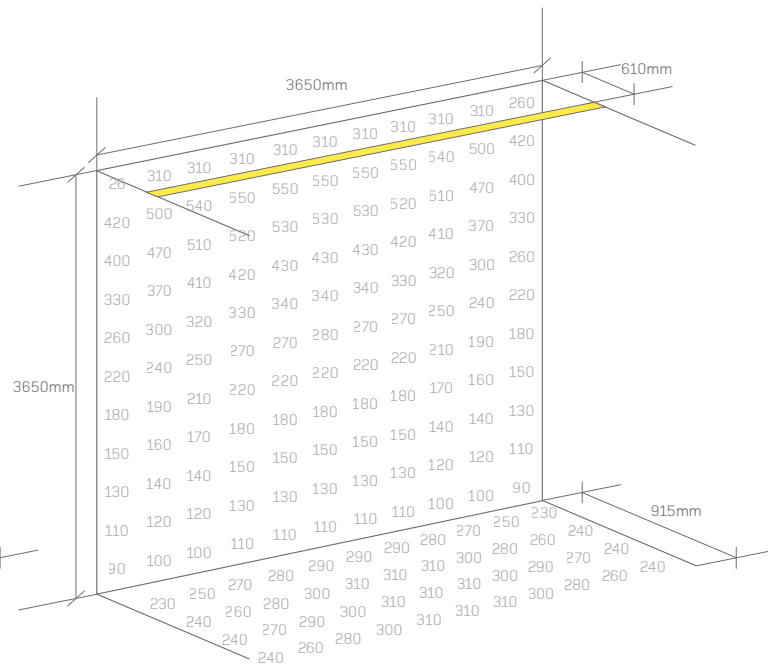
2700mm Ceiling, 915mm Offset



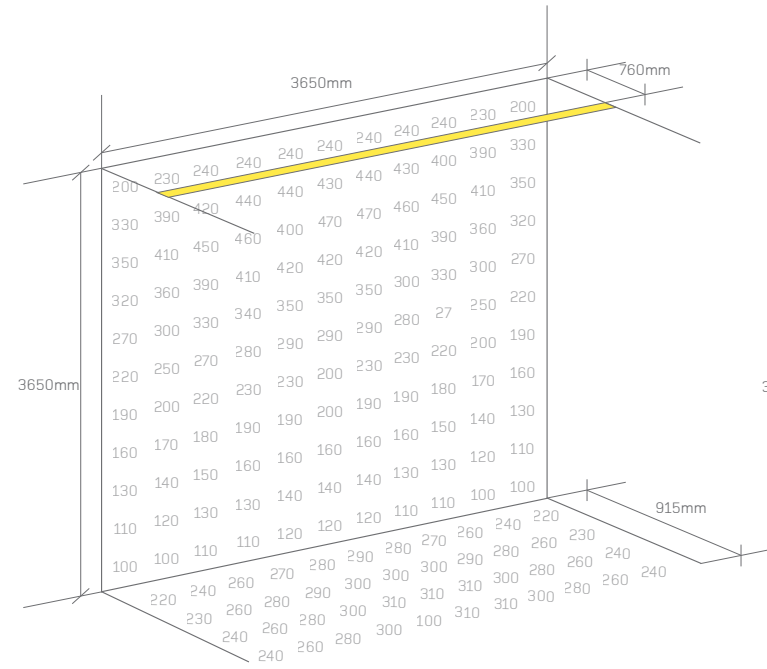
3650mm Ceiling, 300mm Offset



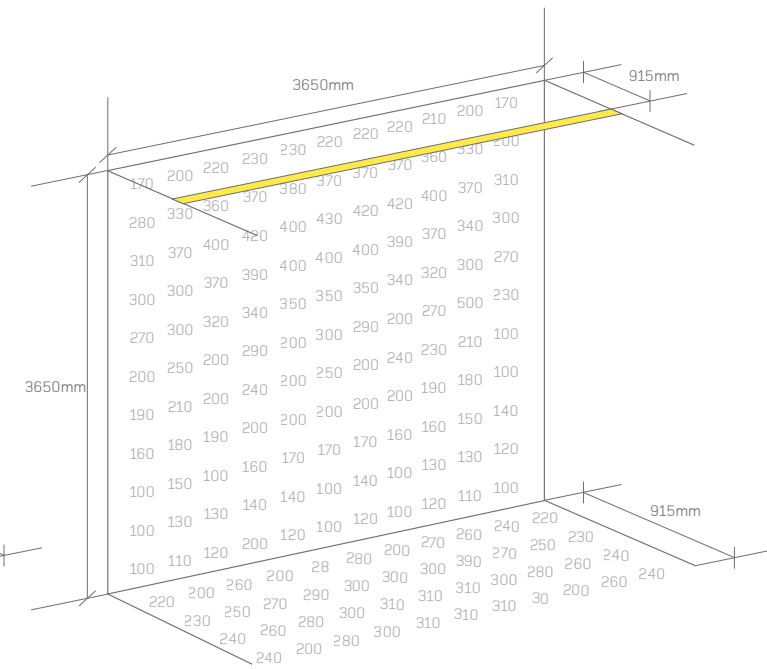
3650mm Ceiling, 610mm Offset



3650mm Ceiling, 760mm Offset



3650mm Ceiling, 915mm Offset



Values in Lux

Values in Lux

Calculated on the following basis:

Reflectances	Maintenance Factor	LED	Diffuser
Ceiling 70%	1.0	2270lm/m*	Satin Opal
Walls 50%		3000 Kelvin	
Floor 20%		90 CRI	

60 Linear Plaster Trim	60 Linear Bezel Trim	60 Linear Surface Mount
Product Details	184	Product Details
		186
		Product Details
		188