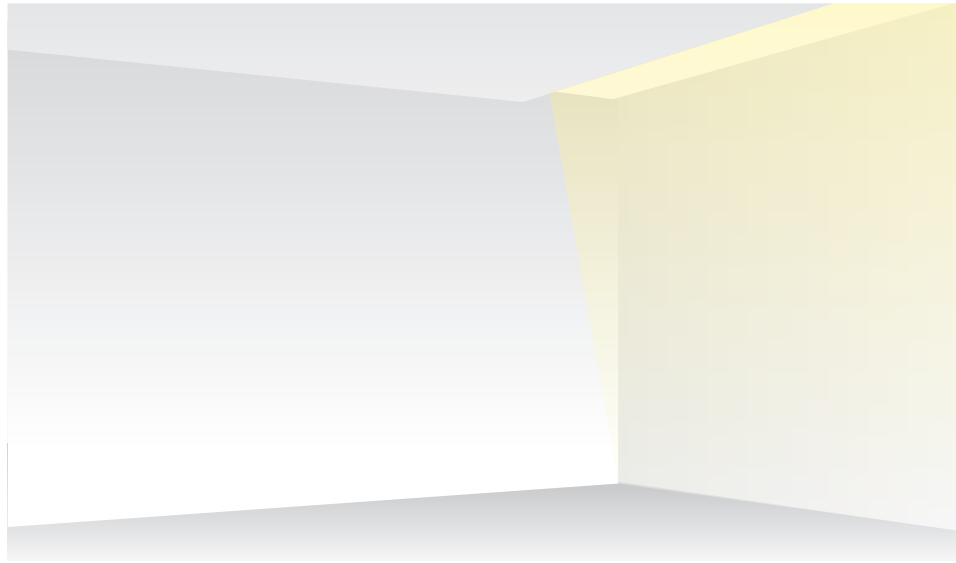


Edgeless and Box Covers - Perimeter Reveal Application

WG EC-RPT, WG MEC-RPT, WG BC-RPT, WG MBC-RPT



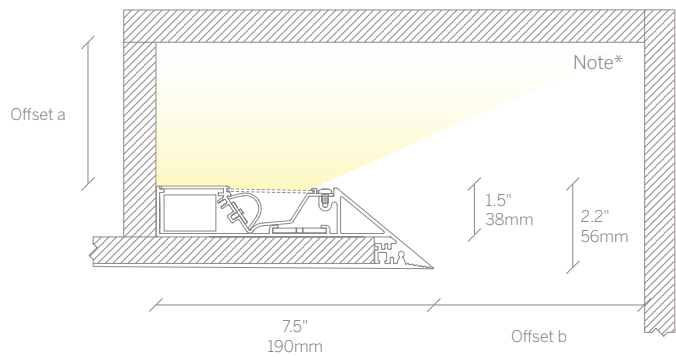
A versatile family of cove luminaires suited to uplighting applications, producing plenty of even ambient light and lifting the ceiling for a fresh feel to the space.

The Edgeless Coves have a leading edge which rakes back to minimize the impression of the luminaire. The Box Cove has a simple, minimal form factor allowing it to deliver light with the minimum visual impact.

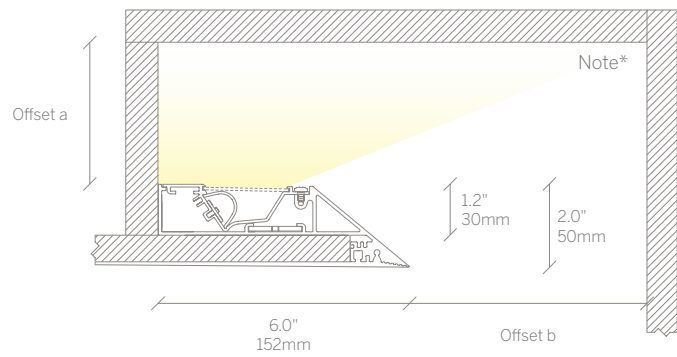
In both cases the aluminum profile forms a perfectly crisp contrasting edge against the lit surface above.

Mounting and Recommended Spacing

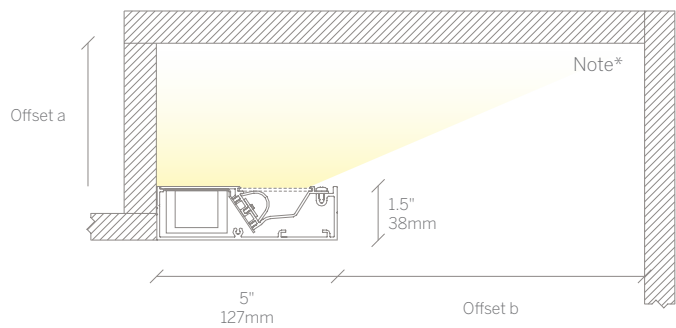
Edgeless Cove



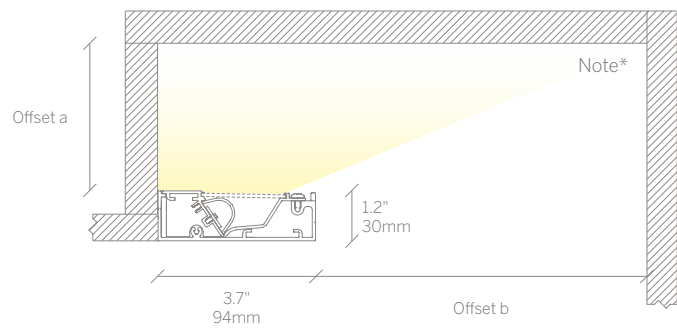
Mini Edgeless Cove



Box Cove



Mini Box Cove



Note*

Paint out all internal surfaces of cove in matt white.

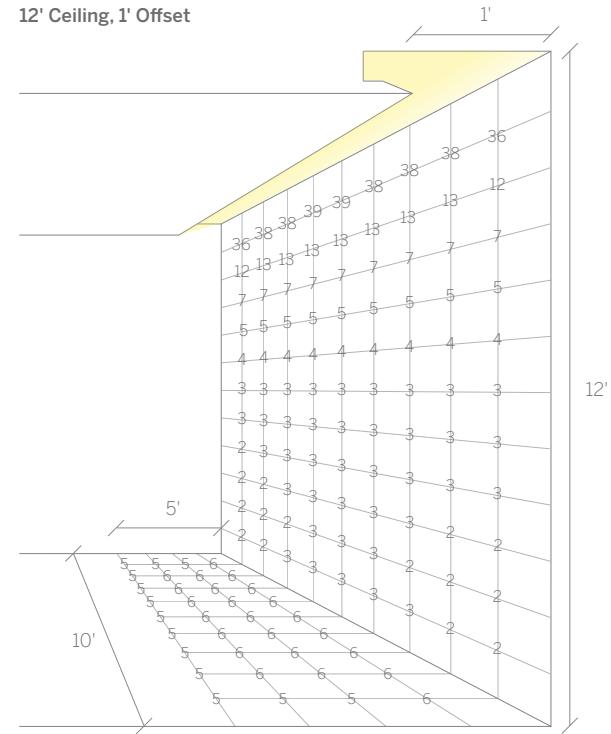
Offset a

Typical Offset 24"
Minimum Offset 6"

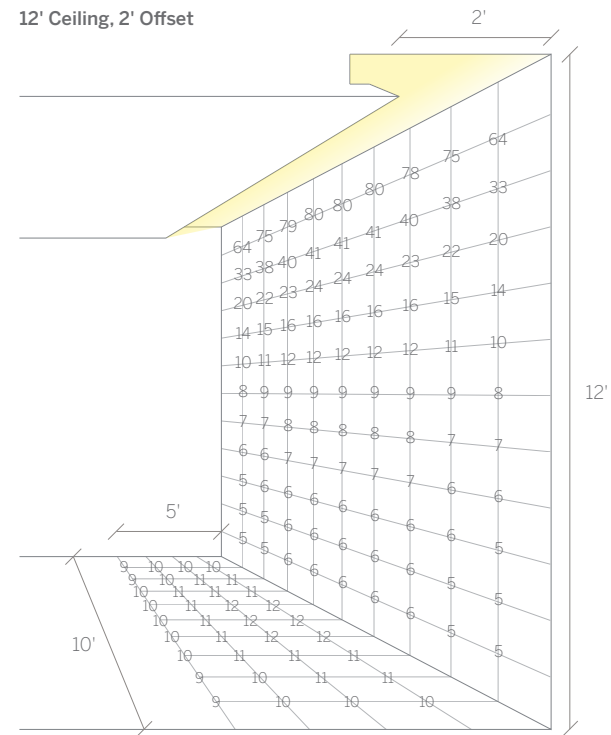
Offset b

Typical Offset 12"-36"
Minimum Offset 6"
Optimum Offset 36"

12' Ceiling, 1' Offset



12' Ceiling, 2' Offset



Values in Foot Candles

Edgeless Cove
Plaster Trim

Product Details

210

Mini Edgeless Cove
Plaster Trim

Product Details

211

Box Cove
Surface Mount

Product Details

212

Mini Box Cove
Surface Mount

Product Details

213

Calculated on the following basis:

Reflectances

Ceiling 70%
Walls 50%
Floor 20%

Maintenance factor

1.0

LED

897lm/ft*
3000 Kelvin
90 CRI

Diffuser

Snap in Satin

12' Ceiling, 3' Optimum Offset

