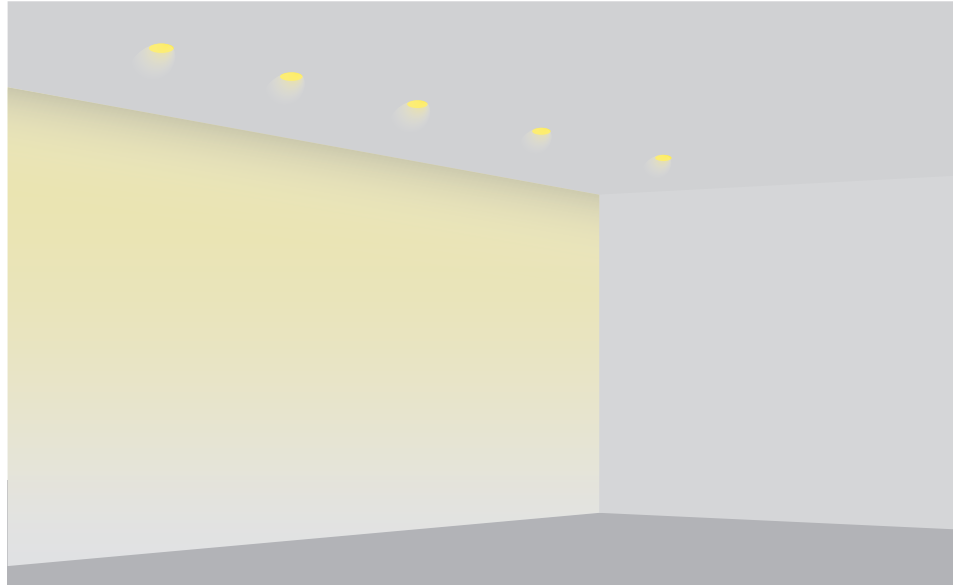


4" ProTools DL Wall Wash

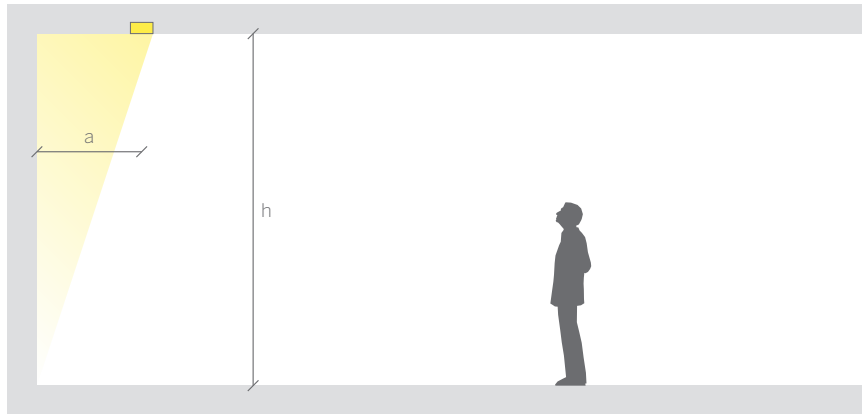
WG 100SPTDLWW-RPT, WG 100SPTDLWW-RBT, WG 100RPTDLWW-RPT, WG 100RPTDLWW-RBT



ProTools DL Wall Wash offers round and square dedicated wall wash luminaires for even illumination of a surface. They emit a wide, even beam of light which is directed towards the wall. Washlights need to be correctly positioned, both in terms of distance from the wall, and their relative distance to one another. This guide will help you get the best result.

The golden rule is 1:1 spacing between luminaires, set to match the distance they are offset from the surface to be lit. And that offset distance should ideally be one third of the overall surface height.

Of course, at Whitegoods we understand that constraints of modern construction requirements and commercial consideration mean that it is not always practical to apply these parameters. Therefore we have designed our wall wash luminaires to work as well as possible even when mounted close to the wall.

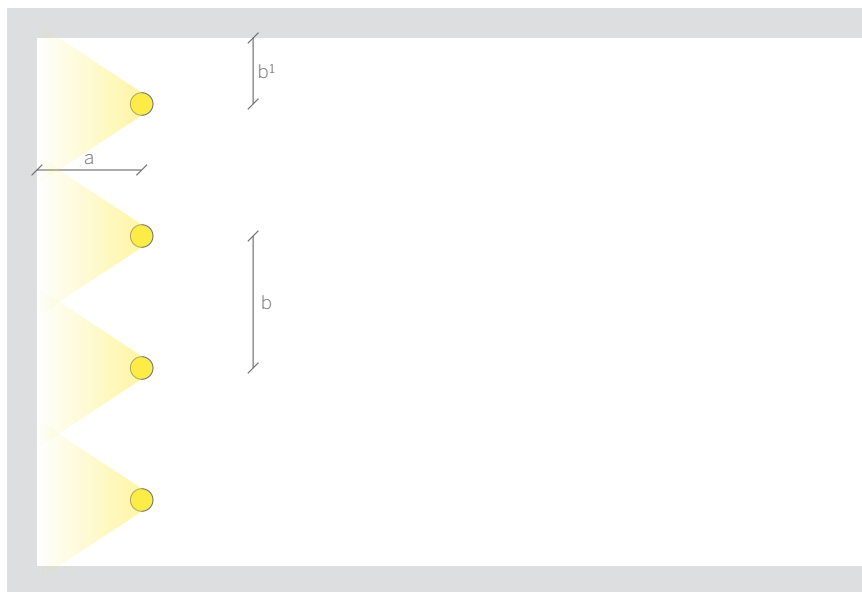


The height of the wall to be lit (h) will determine the best distance at which to position wall wash luminaires. A good 'rule of thumb' is to offset them by approximately one third of the wall height.

For optimum wall washing results use a 1:1 ratio between the offset (a) from the wall and the 'on center' luminaire spacings (b).

e.g. - if the wall is 9' high, then the luminaires will ideally be 3' away from the wall surface, so set them out at 3' on center - i.e. with 3' between each luminaire.

Also, where the wall meets an adjacent surface, space the last luminaire half the set out distance (b¹).



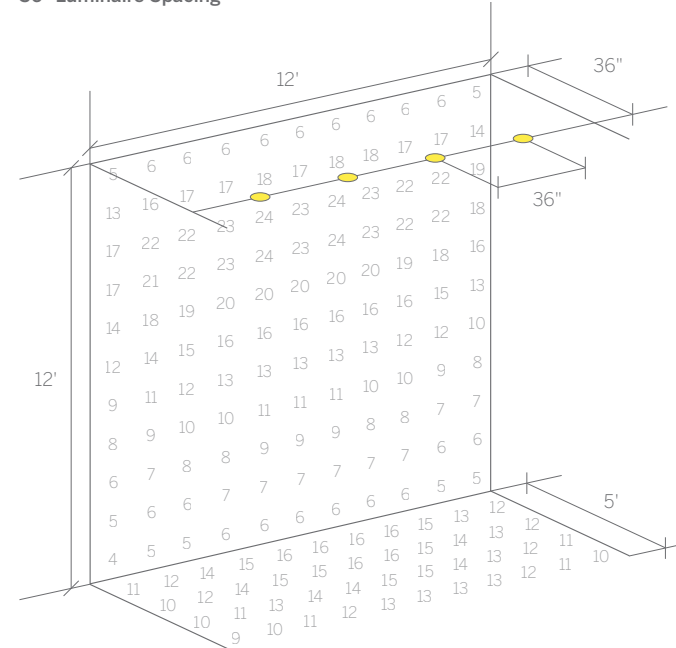
4" ProTools DL Wall Wash Square Wall Wash Cover

Product Details 106

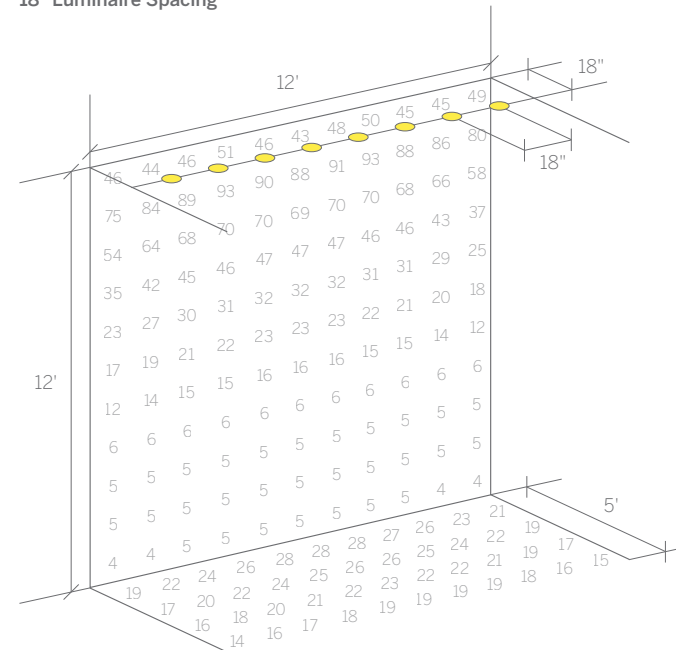
4" ProTools DL Wall Wash Round Wall Wash Cover

Product Details 107

12' Ceiling, 36" Offset, 36" Luminaire Spacing



12' Ceiling, 18" Offset, 18" Luminaire Spacing



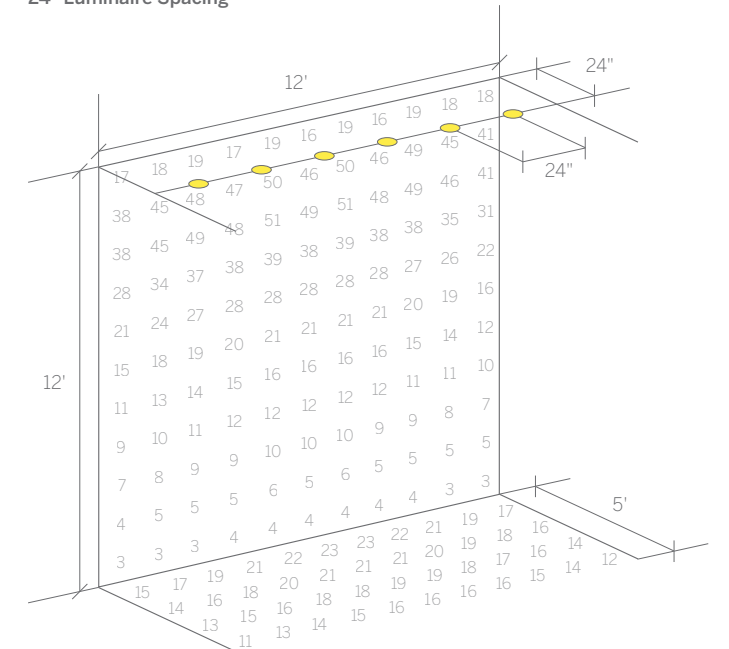
Values in Foot Candles

Calculated on the following basis:

Reflectances	Maintenance Factor	LED	Diffuser
Ceiling 70%	1.0	2027lm*	Custom Micro-prismatic wash lens
Walls 50%		3000 Kelvin	
Floor 20%		90 CRI	

This page shows what we feel are the optimal offsets and luminaire spacings to achieve even illumination. The following page shows results at different offsets and luminaire spacings.

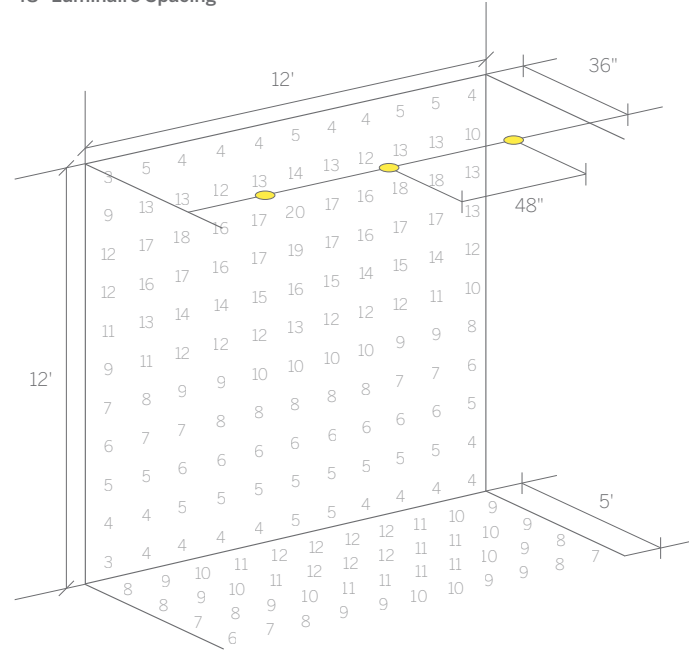
12' Ceiling, 24" Offset, 24" Luminaire Spacing



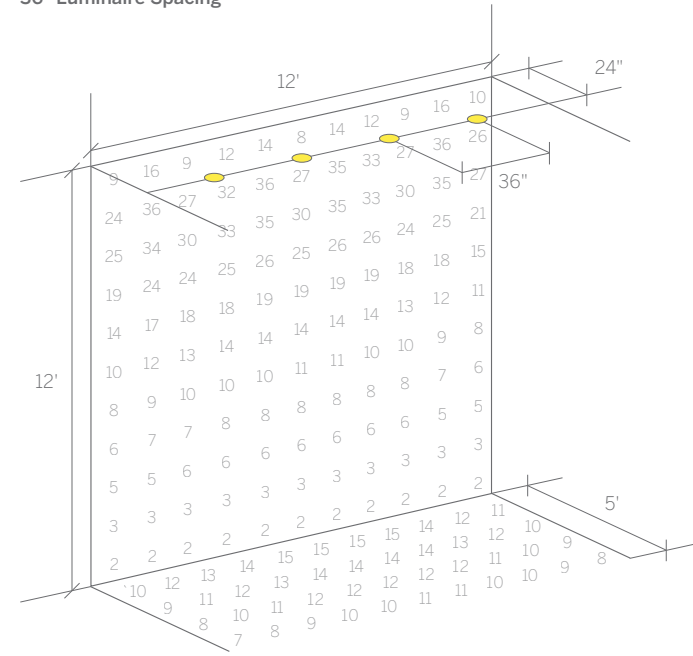
4" ProTools DL Wall Wash

WG 100SPTDLWW-RPT, WG 100SPTDLWW-RBT, WG 100RPTDLWW-RPT, WG 100RPTDLWW-RBT

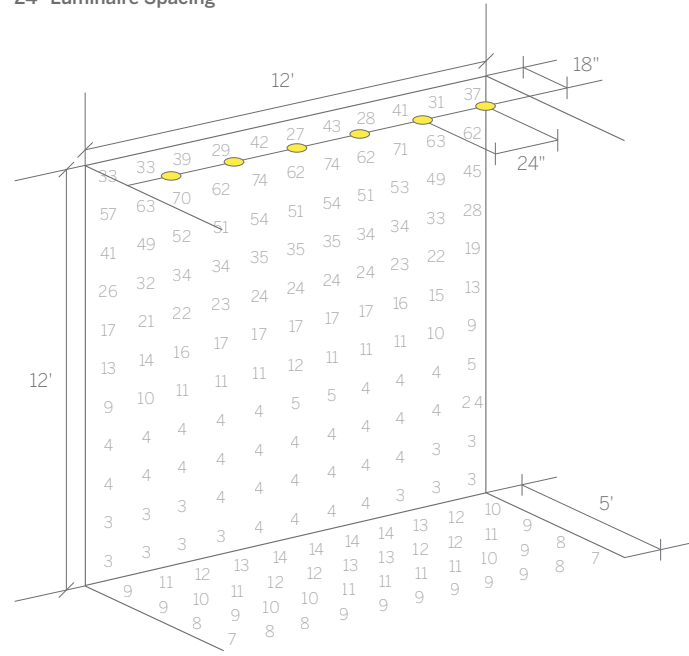
12' Ceiling, 36" Offset,
48" Luminaire Spacing



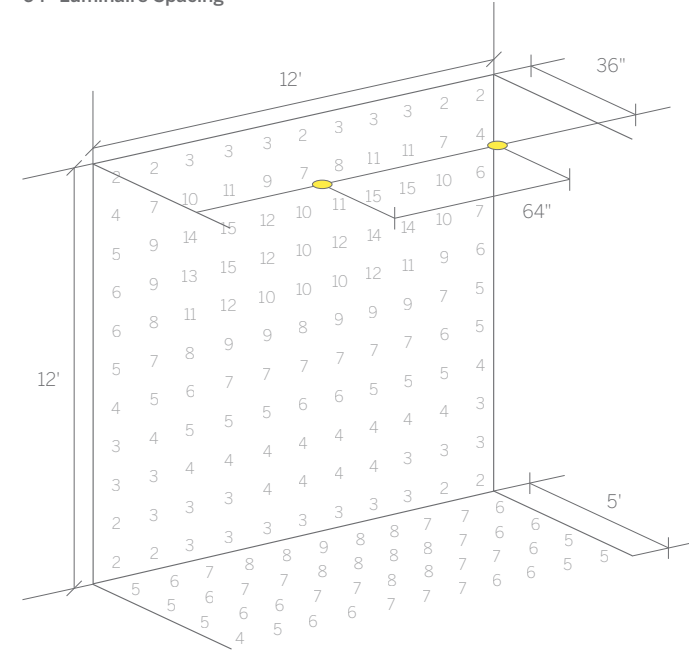
12' Ceiling, 24" Offset,
36" Luminaire Spacing



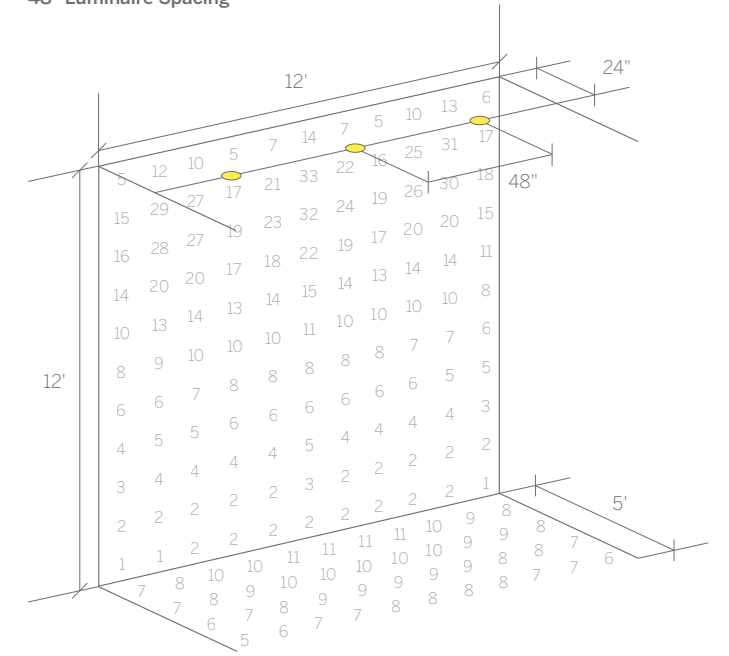
12' Ceiling, 18" Offset,
24" Luminaire Spacing



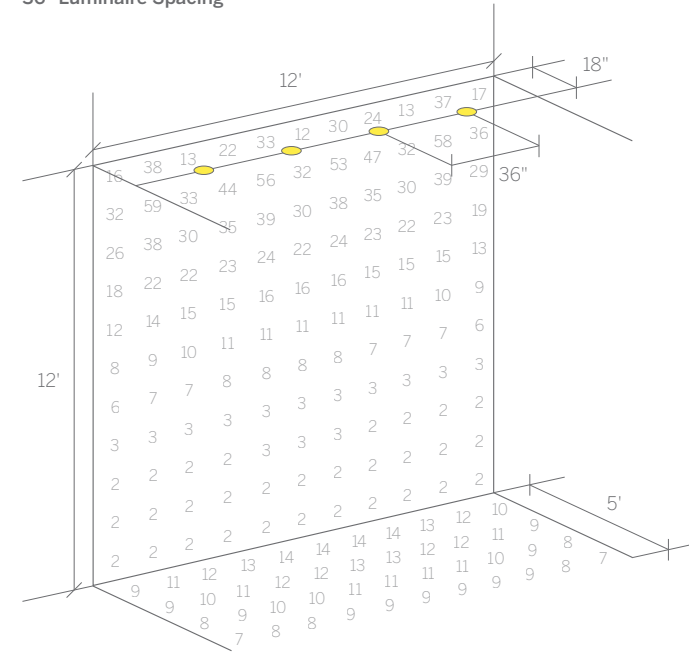
12' Ceiling, 36" Offset,
64" Luminaire Spacing



12' Ceiling, 24" Offset,
48" Luminaire Spacing



12' Ceiling, 18" Offset,
36" Luminaire Spacing



Values in Foot Candles

4" ProTools DL Wall Wash Square Wall Wash Cover

Product Details 106

4" ProTools DL Wall Wash Round Wall Wash Cover

Product Details 107

Values in Foot Candles

Calculated on the following basis:

Reflectances	Maintenance Factor	LED	Diffuser
Ceiling 70%	1.0	2027lm*	Custom Micro-prismatic wash lens
Walls 50%		3000 Kelvin	
Floor 20%		90 CRI	