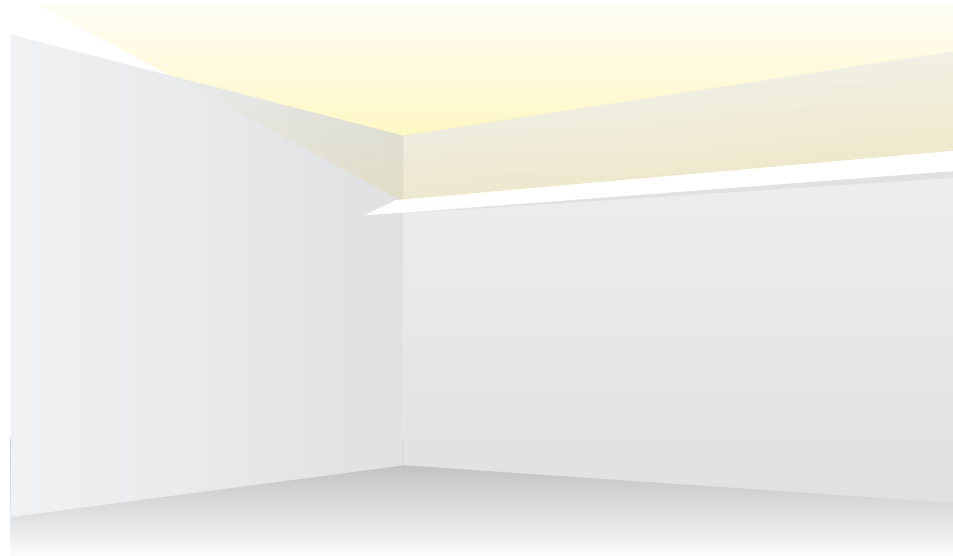


20 Mini Edgeless Cove - Indirect/Uplighting

WG 20MEC-RPT



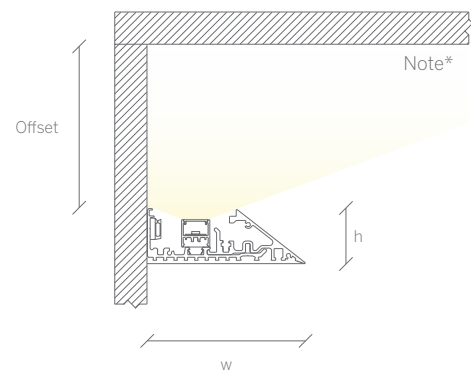
A versatile luminaire suited to uplighting applications, producing plenty of even ambient light and lifting the ceiling for a fresh feel to the space.

The leading edge rakes back to minimize the impression of the luminaire on the wall.

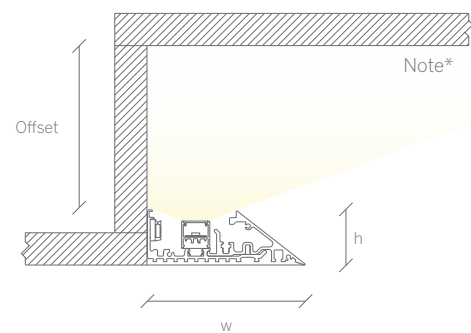
The aluminum profile forms a perfectly crisp contrasting edge against the lit surface above.

Mounting and Recommended Spacing

Wall Mounting



Ceiling Level Change (Coffer or Raft)



Note*

Paint out all internal surfaces of cove in matt white.

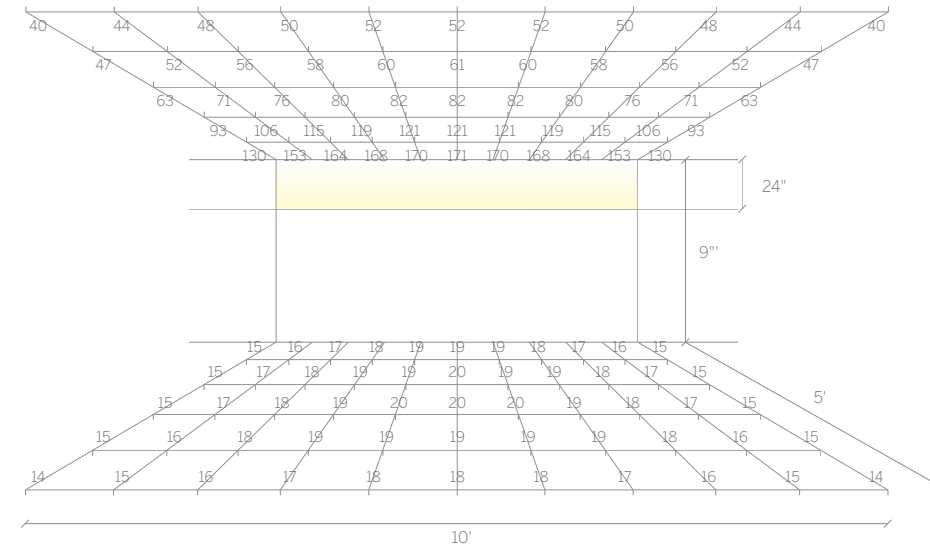
Offset

Typical Offset 12"
Optimum Offset 24"
Minimum Offset 4"

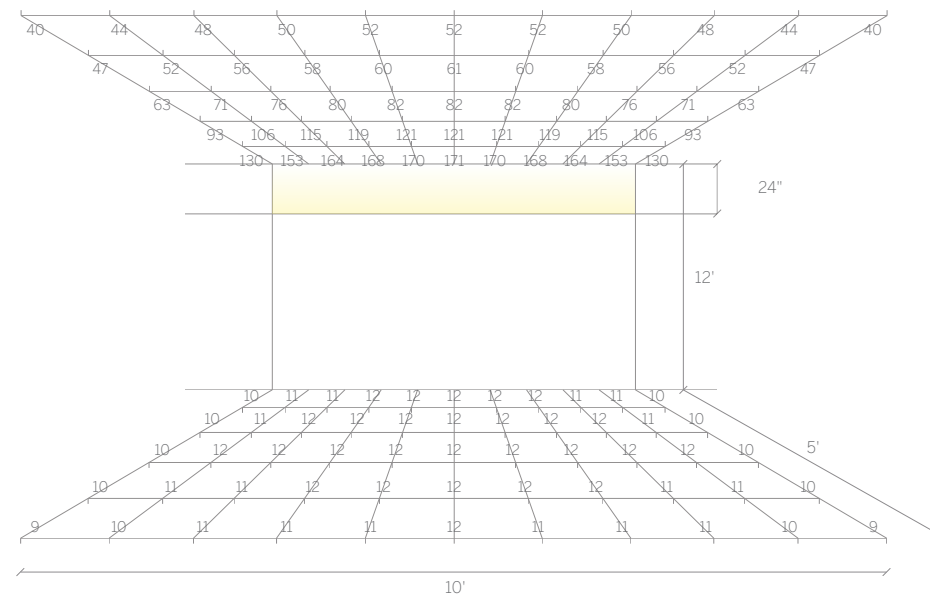
Dimensions

w = 3.7" (94mm)
h = 1.3" (33mm)

9' Ceiling, 24" Optimum Offset



12' Ceiling, 24" Optimum Offset



Values in Foot Candles

Calculated on the following basis:

Reflectances	Maintenance Factor	LED	Diffuser
Ceiling 70%	1.0	579lm/ft*	Satin Clear
Walls 50%		3000 Kelvin	
Floor 20%		90 CRI	

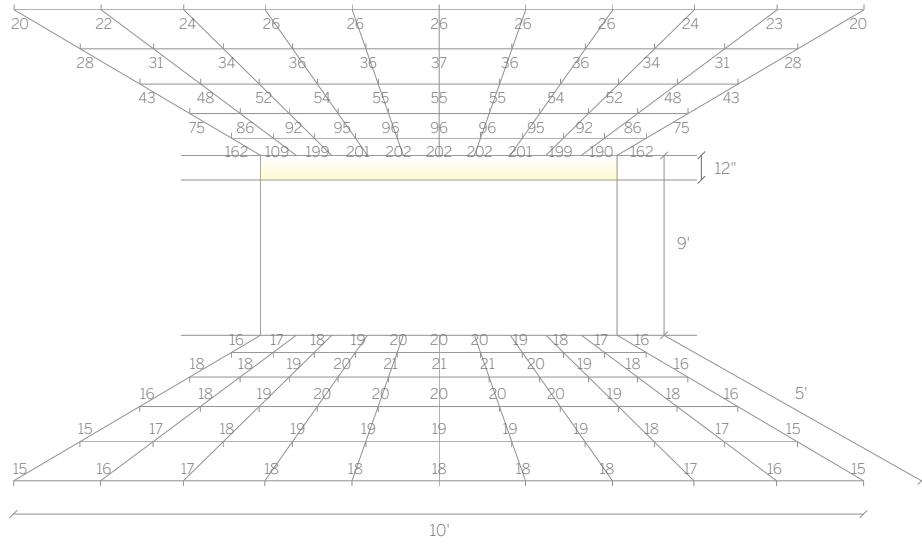
The diagrams show the expected light level on the floor and ceiling adjacent to a cove mounting position at the distance from the ceiling indicated.

This page shows what we feel are the optimum offsets for the ceiling heights as shown. The following page shows results at different offsets.

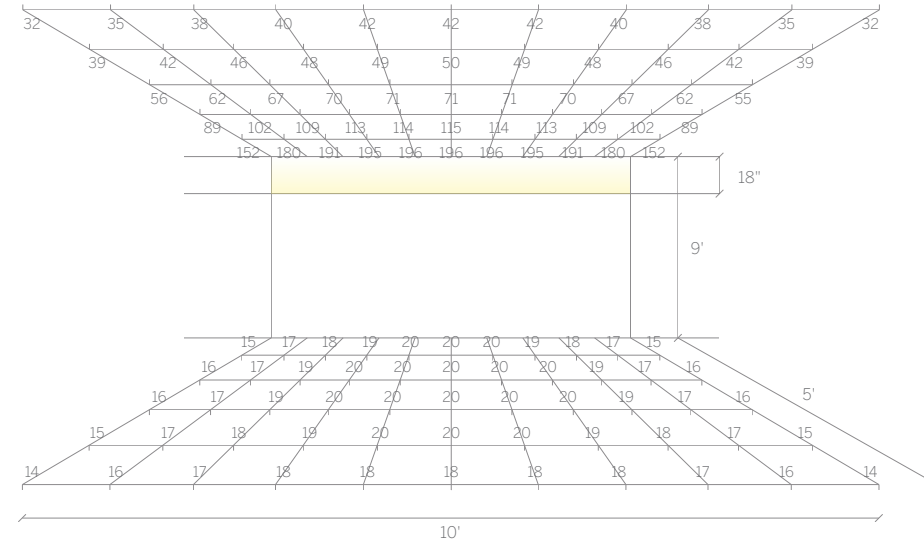
20 Mini Edgeless Cove - Indirect/Uplighting

WG 20MEC-RPT

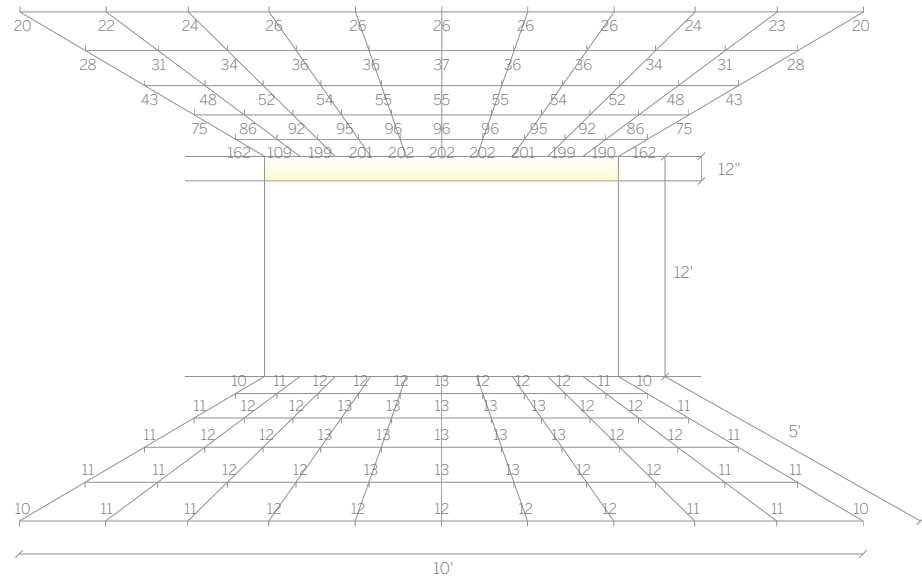
9' Ceiling, 12" Offset



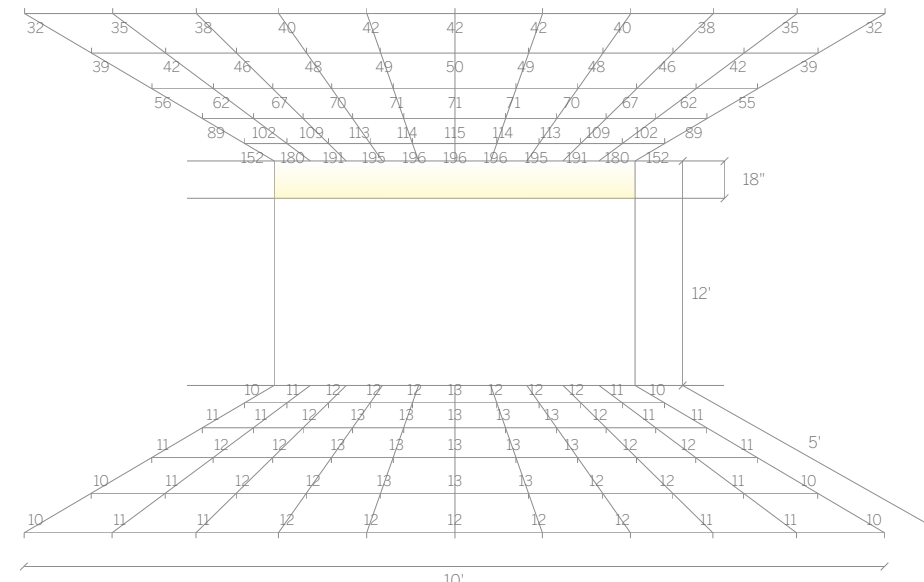
9' Ceiling, 18" Offset



12' Ceiling, 12" Offset



12' Ceiling, 18" Offset



Values in Foot Candles

Values in Foot Candles

Calculated on the following basis:

Reflectances	Maintenance Factor	LED	Diffuser
Ceiling 70%	1.0	579lm/ft*	Satin Clear
Walls 50%		3000 Kelvin	
Floor 20%		90 CRI	

20 Mini Edgeless Cove
Plaster Trim

Product Details

214

*Lumen data correct at the time of print. Source lumens shown. For up to date lumen data refer to specsheet.