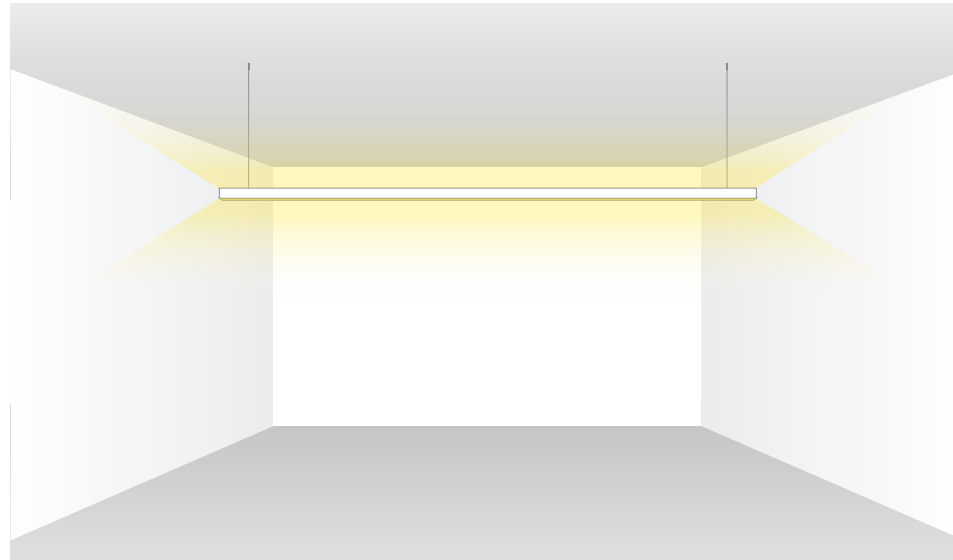


20 Linear Direct/Indirect Suspended

WG 20LDI-S



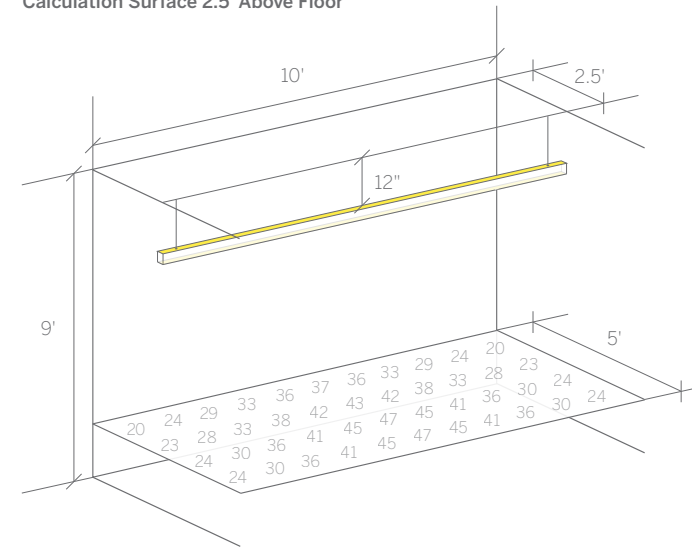
The 20 Linear Suspended Direct/Indirect is a compact yet powerful suspended luminaire delivering light up or down for accent as well as task illumination of a space, with even continuous light from a spot free lens.

Well suited to workspace lighting, allowing the indirect and direct component to be balanced, either through specification of two different power levels (or even color temperature), or through controlling the two separately switched / controlled elements to suit the situation.

The product can also be specified with a satin clear lens on the upward face which improves the efficiency of the uplight element while still preventing a direct view of the LEDs.

This design guide shows you what light levels you will achieve below the luminaire at desk height.

9' Ceiling, 12" Suspension Calculation Surface 2.5' Above Floor



These diagrams indicate light levels to be expected on the work plane, or task surface when using these luminaire types at various distances from the ceiling at the drop lengths shown.

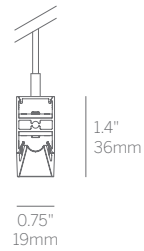
The values shown are calculated incorporating the S20LDI with direct and indirect light output.

The following page shows results at different offsets.

Optical Accessories Available

Product Code

WG 20LDI-S-S...-LL45-ODI-W
WG 20LDI-S-S...-LL45-SDI-W
Suspended
Louver



This accessory delivers excellent visual comfort because it shields the light source completely, controlling the downward light into a defined 45 degree spread in all directions. Within the beam the light is very evenly spread. Perfect for focused lighting over a work desk or conference table

Product Code

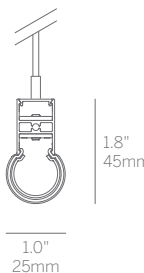
WG 20LDI-S-S...-LN16-ODI-W
WG 20LDI-S-S...-LN16-SDI-W
Suspended
Narrow Lens



The narrow lens delivers a soft edged, relatively tight 30 degree linear beam of light with a concentration of light towards the center of the beam. Although not specifically shielded, the lens is 'quiet' in the sense that it does not appear to be bright when viewed from angles outside of the beam focus. This accessory can be useful in double or even triple height spaces. It is ideal for highlighting particular elements within a space, helping to create dramatic effect.

Product Code

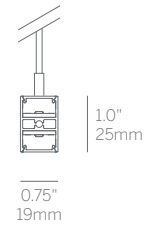
WG 20LDI-S-S...-ROD-ODI-W
WG 20LDI-S-S...-ROD-SDI-W
Suspended
Round Opal Diffuser



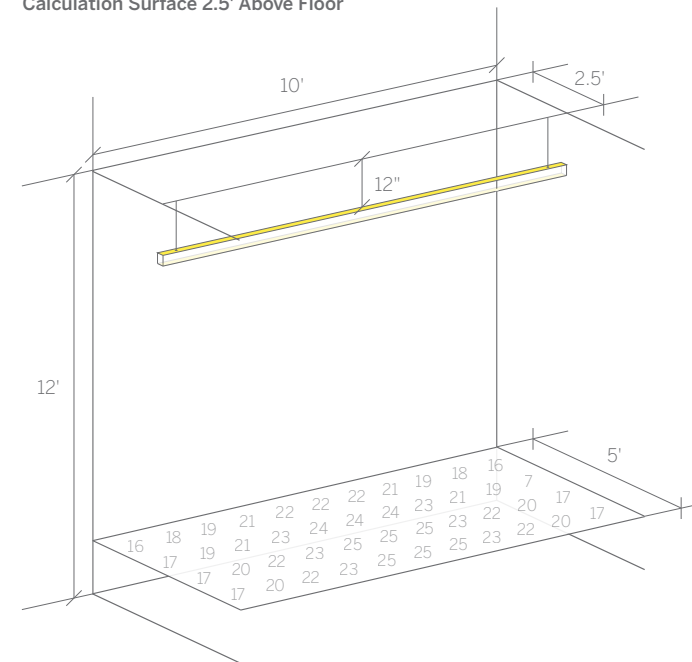
If you need a luminaire to be a visual element within a scheme, then the Round Drop Diffuser is ideal. It delivers comfortable even light in all directions. The diffuser itself is Satin Opal, glowing evenly along its length. Great for delivering ambient light from a slim, elegant luminaire which will look at home in the smartest of environments.

Details

WG 20LDI-S-...-OD-W
WG 20LDI-S-...-SD-W
Suspended Satin Opal/ Satin Clear Diffuser



9' Ceiling, 12" Suspension Calculation Surface 2.5' Above Floor



Values in Foot Candles

Calculated on the following basis:

Reflectances	Maintenance Factor	LED	Diffuser
Ceiling 70%	1.0	579lm/ft*	Satin Opal
Walls 50%		3000 Kelvin	
Floor 20%		90 CRI	

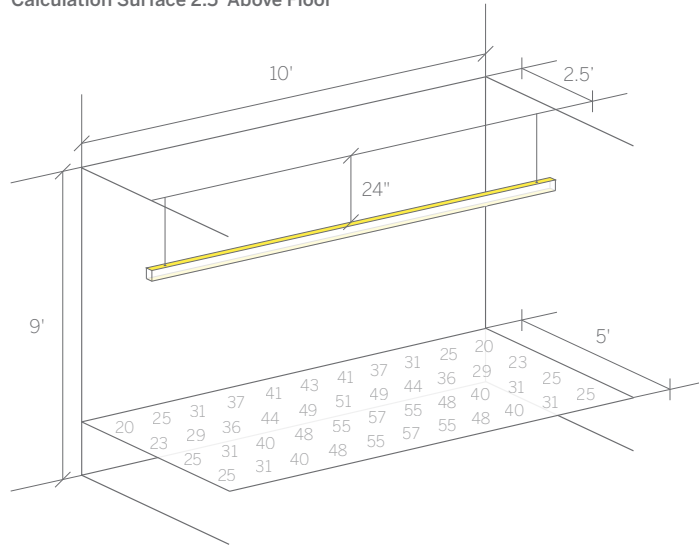
20 Linear Direct/Indirect Suspended	
Product Details	136-139

*Lumen data correct at the time of print. Source lumens shown. For up to date lumen data refer to specsheet.

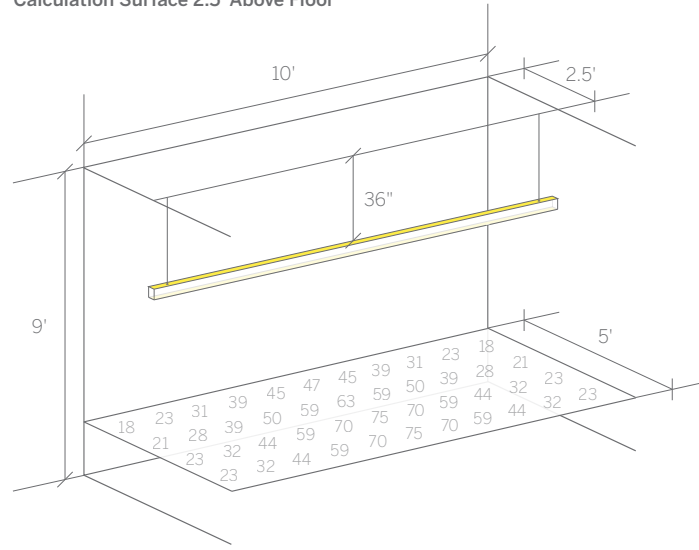
20 Linear Direct/Indirect Suspended

WG 20LDI-S

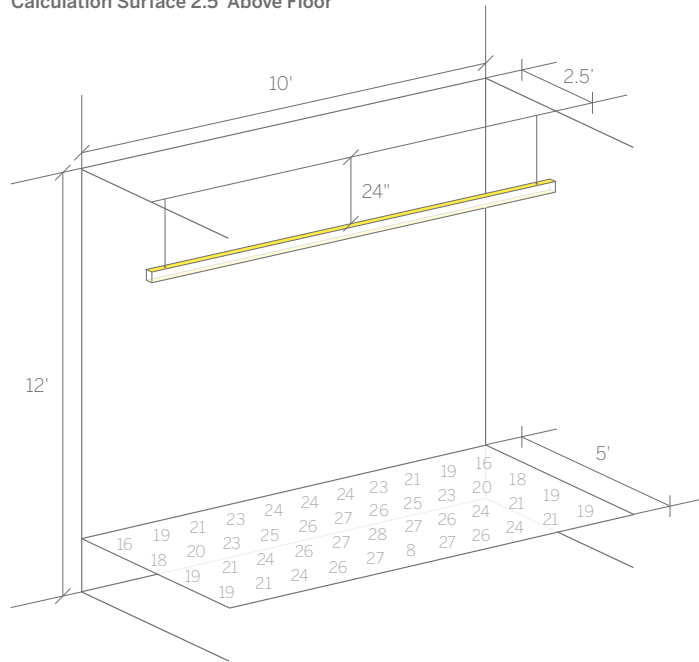
9' Ceiling, 24" Suspension
Calculation Surface 2.5' Above Floor



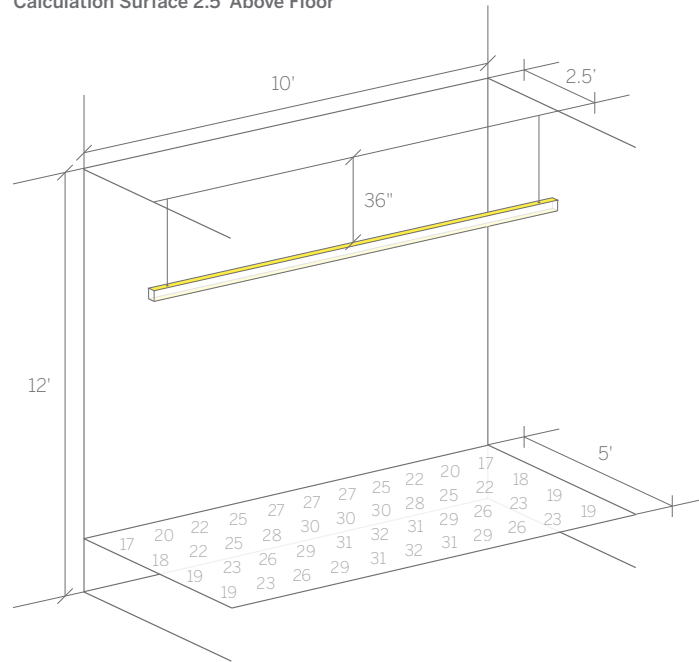
9' Ceiling, 36" Suspension
Calculation Surface 2.5' Above Floor



12' Ceiling, 24" Suspension
Calculation Surface 2.5' Above Floor



12' Ceiling, 36" Suspension
Calculation Surface 2.5' Above Floor



Values in Foot Candles

Calculated on the following basis:

Reflectances	Maintenance Factor	LED	Diffuser	20 Linear Direct/Indirect Suspended
Ceiling 70%	1.0	579lm/ft*	Satin Opal	Product Details
Walls 50%		3000 Kelvin		136-139
Floor 20%		90 CRI		

