

# Z cove

design: Daniel Heap

A 'plaster-in' continuous linear close offset wall wash (or "grazer") system. Can be mounted at the edge of the ceiling to wash a wall, or at the foot of a wall to wash across the floor.

**Applications:**

- Where the ceiling is to be plastered or re-plastered with a gypsum finish.

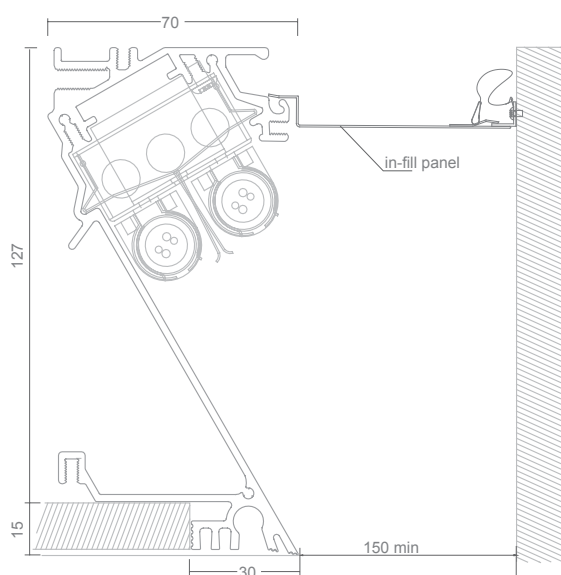
**Features:**

- Knife edge detail to ceiling/wall edge for minimum visual impact.
- Angled front face designed to allow maximum light flow down/across adjacent surface.
- Overlapping fixed single or twin lamp options.
- Produced to site dimensions.
- Pre-wired complete unit including control gear and overlapping lamp positions.
- All sections are site delivered in sections with through wire connectors and single position mains supply point.
- Mitred junctions or corners available.
- Optional diffuser.

**Control options:**

- Switched, Analogue (1-10v), Digital (DSI), DALI, Single circuit or Multi circuit

code		lamp	type	base	watts	lumen
TP-LZC-1x1-(Length)	↔	Single fluorescent overlapped	T5	G5	24W per meter	2200 lm per meter
TP-LZC-2x1-(Length)	↔	Twin fluorescent overlapped	T5	G5	48W per meter	4400 lm per meter



**Examples:**

TP-LZC-2X1-6000 (where 6000mm is the linear length) plaster in edgeless cove profile with twin overlapping lamps on a single circuit (our most popular Z cove format).

**Notes:**

- Can be mounted on vertical or horizontal structural elements.
- Where mitred corners or applications other than straight runs are required an indicative dimensional drawing is preferred.
- Lamp configuration is dependent on luminaire length and layout.
- Please specify control gear required when ordering.
- LED options available, please contact us for details.
- Accessories: Emergency option, Diffuser, In-fill panel, brackets (top, side).

**Other information:**

Installation instructions	Page 165
Lamp configuration	Page 165
Important information	Page 181
Accessories	Page 185