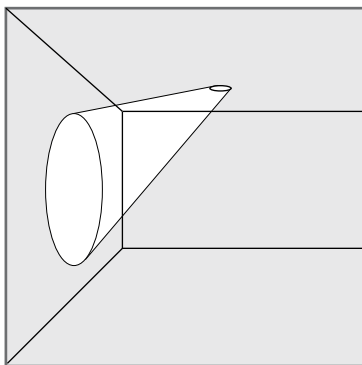
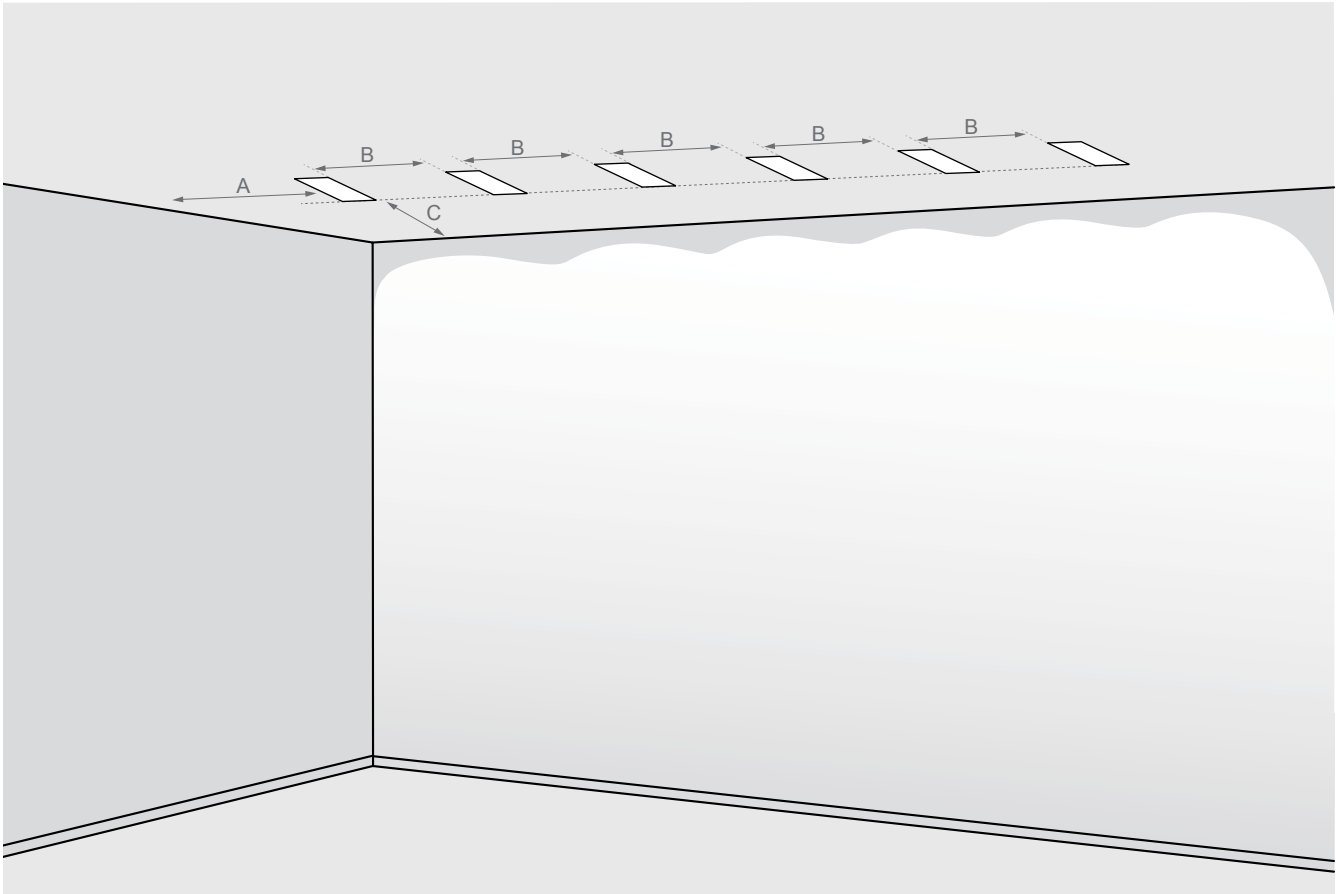


wall wash set out guide

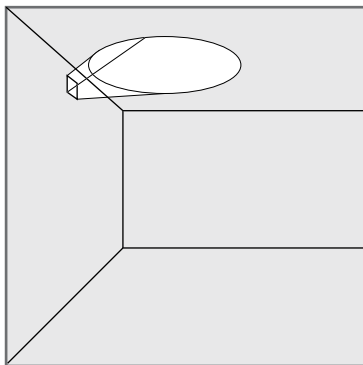
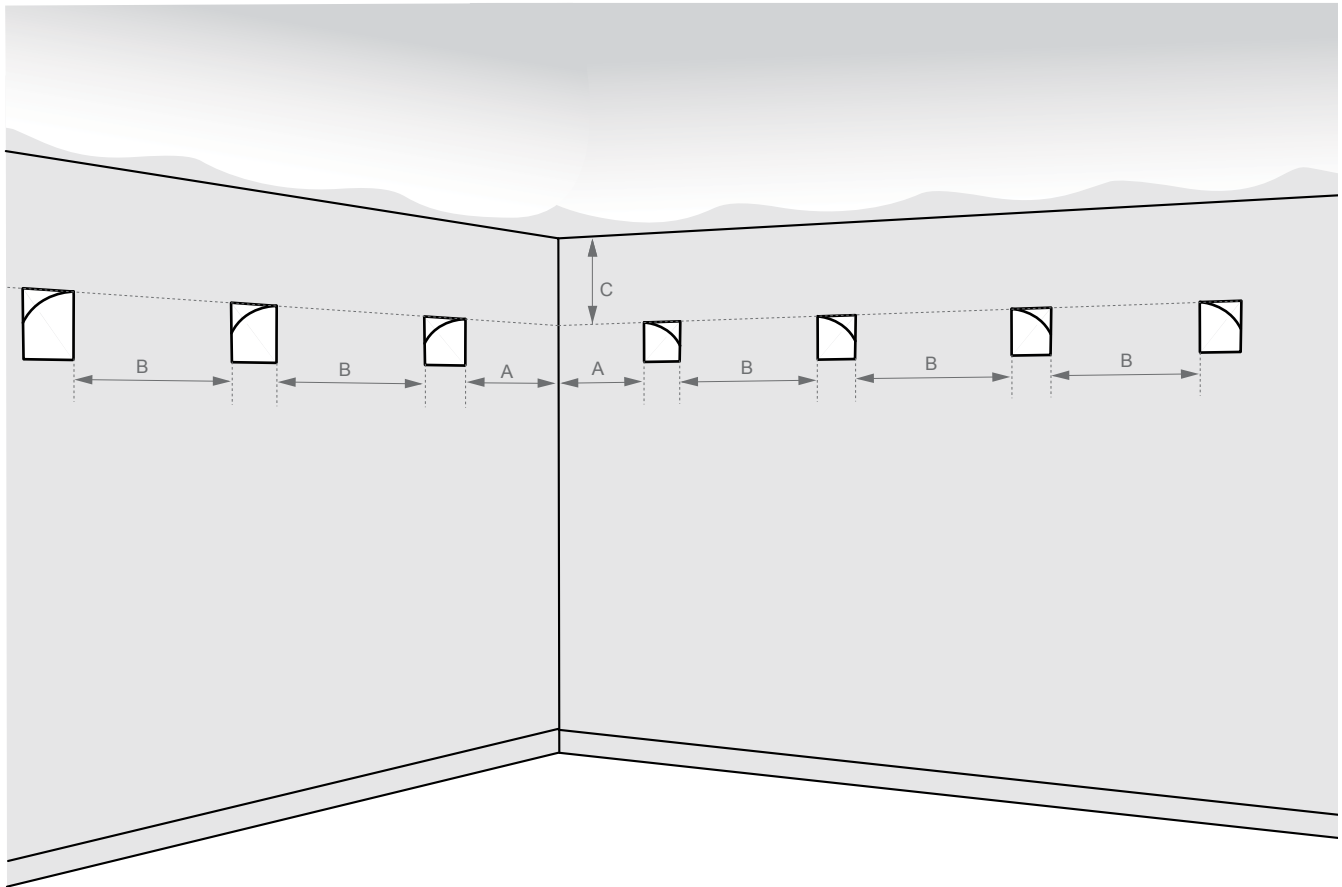


wall wash

to achieve maximum "uniformity" of light using our wall wash luminaires:

- a – distance A should be half of distance B
- b – distance B should be equal between luminaires and no greater than C
- c – distance C should be no less than 600mm and no greater than 1,000mm

NB: For guidance purposes only, please consult our technical department for your particular application.



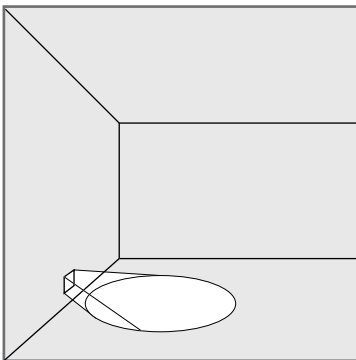
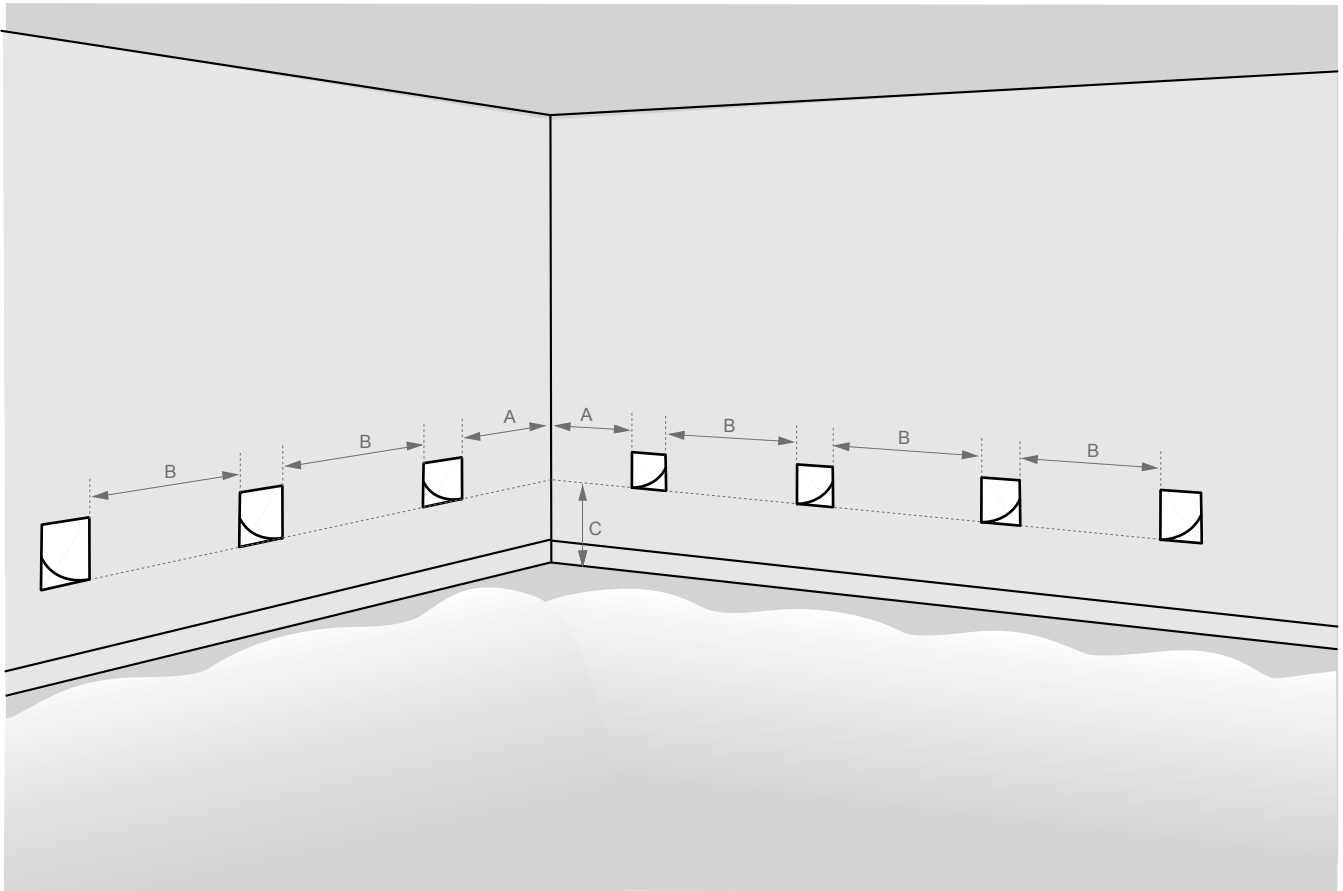
ceiling wash

to achieve maximum "uniformity" of light using our ceiling wash luminaires:

- a – distance A should be half of distance B
- b – distance B should be equal between luminaires and no greater than twice distance C
- c – distance C should be no less than 500mm

NB: For guidance purposes only, please consult our technical department for your particular application.

floor wash set out guide

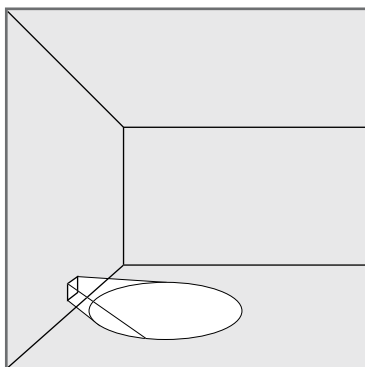
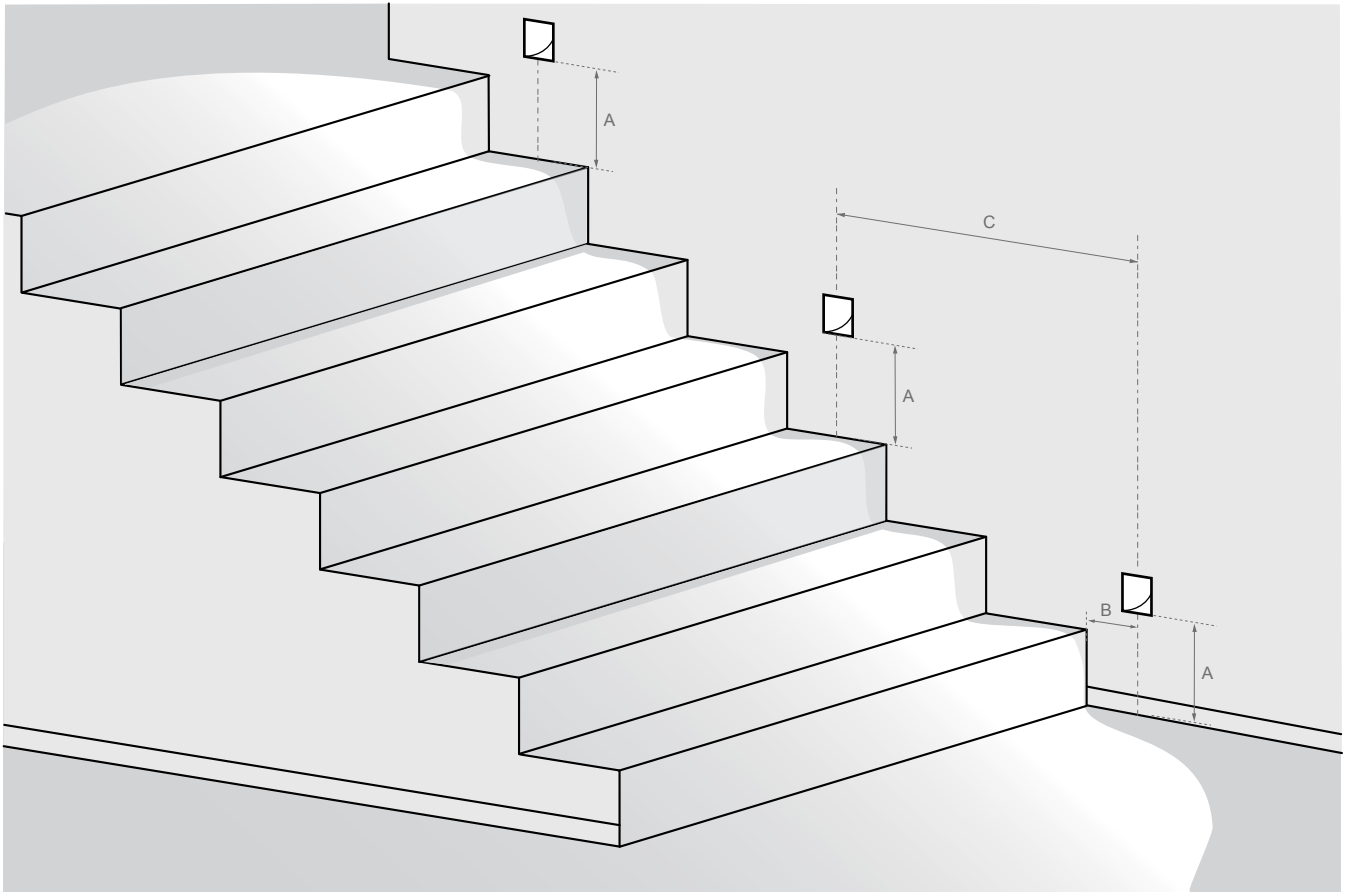


floor wash

to achieve maximum "uniformity" of light using our floor washers:

- a – distance A should be half of distance B
- b – distance B should be equal between luminaires and no greater than twice C
- c – distance should be no less than 300mm

NB: For guidance purposes only, please consult our technical department for your particular application



stair wash

to achieve maximum "uniformity" of light using our floor wash luminaires in stair case applications:

- a – distance A should be no less than 250mm
- b – distance B should be half the width of the stair tread
- c – distance C should be no more than 3 standard depth treads

NB: For guidance purposes only, please consult our technical department for your particular application.