

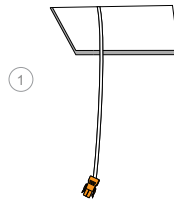
intumescent fire hoods

When installing our luminaires, in certain circumstances a protective fire resistant hood may be required. The current Building Regulations stipulate that breaches in building elements (i.e. ceilings) need to be sealed to maintain the necessary fire resistance (please refer to appropriate building regulations governing your installation).

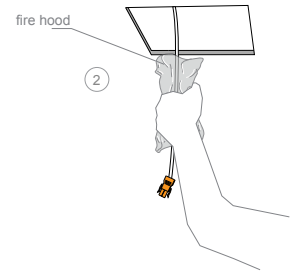
Fire hoods are currently available for our full range of luminaires including down lights, linear fixtures and panel systems. Depending on the particular luminaire we can offer a range of solutions from hoods to fire tents.

downlight fire hoods

Downlight fire hoods can be supplied in a range of sizes dependent on the luminaire used. Fixing can be carried out from below the ceiling and the hoods require no additional support during installation. Please note that when specifying fire hoods an additional 100mm horizontal clearance and 50mm vertical clearance is required for installation.



Drop the supply cable through luminaire hole cut-out

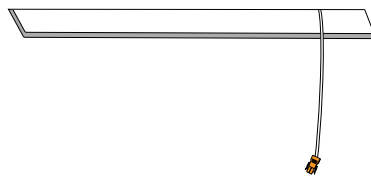


Pass the supply cable through fire hood and squeeze together while feeding the fire hood through the ceiling aperture

linear/continuous linear/panel fire tents

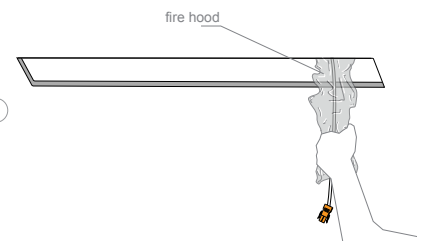
Due to the size of these types of luminaire we can offer a range of fire tents. These offer the same fire resistance properties and ease of installation as the fire hoods. They require an additional 100mm horizontal clearance and 50mm vertical clearance.

①



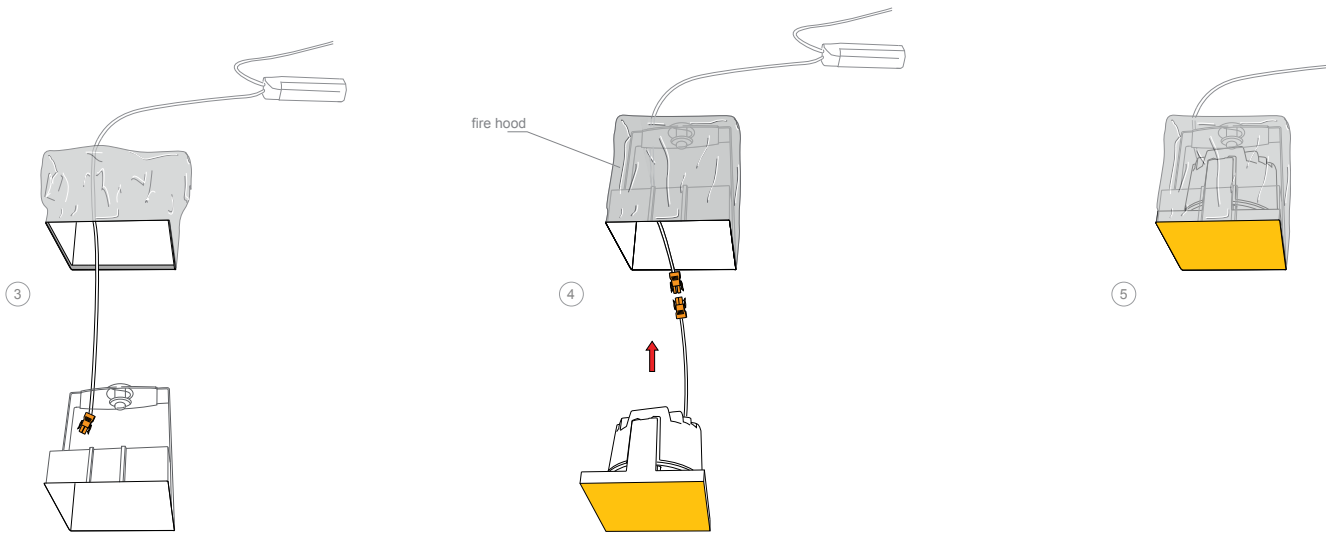
Drop power cable through luminaire hole cut-out

②



Pass power cable through fire hood and squeeze downlighter cover and push up into the hole

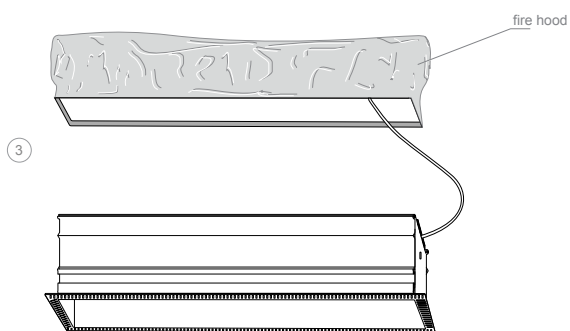
NB: It should be emphasised that the above information is intended to provide guidance only; it is recommended that you contact your local building control office for further advice and information.



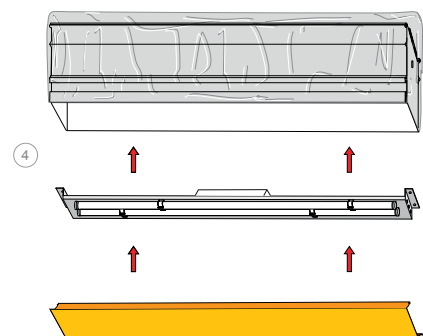
Using the fasteners supplied, fix the fire hood onto the plasterboard ceiling then fit the mounting frame as usual

Using a suitable tool, open out the cover fully. Connect luminaire to the supply cable

Push fixture into housing and push click into place



Insert luminaire body into aperture taking care not to damage the fire tent



Insert gear tray and diffuser