

100 round plaster-in wall wash

A 100 x 150mm oval recessed wall wash luminaire with absolute minimal visual impact.

Applications:

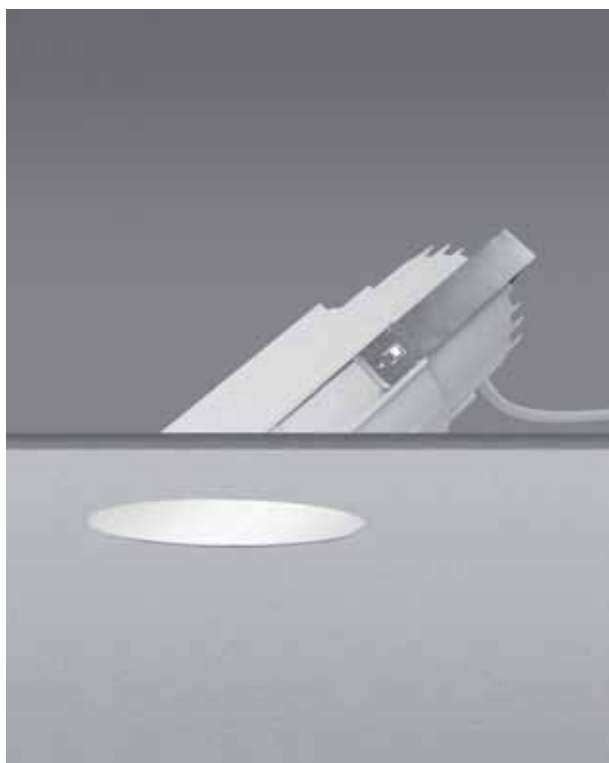
- Where the ceiling is to be plastered or re-plastered with a gypsum finish.









Features:

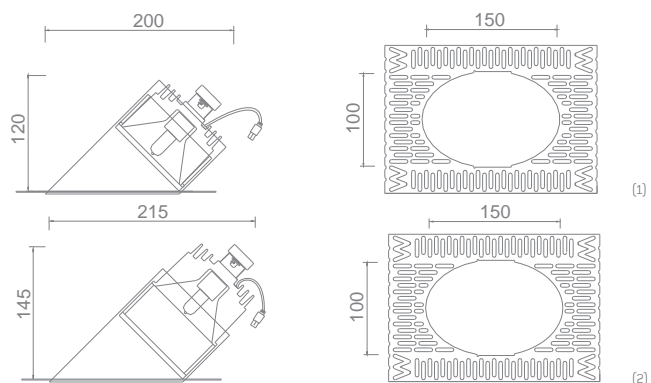
- 'Easy click' tool free second fix internal cartridge.
- Insert is interchangeable between lamp types and gimbal.
- Tool free lamp and gear maintenance.
- Pre-wired with a 'Plug and Play' electrical connection.
- Etched opal glass diffuser for both flush and recessed mounting positions.
- Gimbal insert can be utilised in this product. Please contact us for further information.

Ballast options:

- Switched
- Analogue (1-10v)
- Digital (DSI)
- DALI



| code | lamp | type | base | ⁽³⁾ watts | ⁽³⁾ lumen | cut-out |
|---------------------------------|--|---|--------|----------------------|----------------------|-------------------|
| P100RWW-LVC ⁽²⁾ |  Low voltage capsule | QTax-12 | GY6.35 | 20-50W | 320-930 lm | oval 120 x 170 mm |
| P100RWW-MVC ⁽²⁾ |  Mains voltage capsule | QT14 | G9 | 25-60W | 260-820 lm | oval 120 x 170 mm |
| P100RWW-CDM-SM ⁽²⁾ |  Ceramic metal halide supermini | CDM-SM | GU6.5 | 35W | 2200 lm | oval 120 x 170 mm |
| P100RWW-LED ⁽²⁾ |  LED | for LED options please refer to page 55 | | | | oval 120 x 170 mm |
| P100RWWRD-LVC ⁽¹⁾ |  Low voltage capsule | QTax-12 | GY6.35 | 20-50W | 320-930 lm | oval 120 x 170 mm |
| P100RWWRD-MVC ⁽¹⁾ |  Mains voltage capsule | QT14 | G9 | 25-60W | 260-820 lm | oval 120 x 170 mm |
| P100RWWRD-CDM-SM ⁽¹⁾ |  Ceramic metal halide supermini | CDM-SM | GU6.5 | 35W | 2200 lm | oval 120 x 170 mm |
| P100RWWRD-LED ⁽¹⁾ |  LED | for LED options please refer to page 55 | | | | oval 120 x 170 mm |



Notes:

1. Reduced depth fitting.
 2. Standard Fitting.
 3. Indicative lamp information shown. Consult lamp manufacturer for current information.
- Glass position can be selected without the use of tools
 - A reduced depth fitting is available. Please specify RD (reduced depth) on the product code (for example: P100RWWRD-...).



Other information:

| | |
|-----------------------|----------|
| Set out guide | Page 154 |
| Important information | Page 181 |
| Accessories | Page 185 |



100 round plaster-in wall wash LED

A 100 x 150mm oval recessed luminaire with absolute minimal visual impact. Available with a range of market leading LED light engines with excellent colour consistency and light output.

Available in 700 lumen, 1100 lumen output and "Artist" version with excellent colour rendering of over 95 Ra.

Applications:

- Where the ceiling is to be plastered or re-plastered with a gypsum finish.

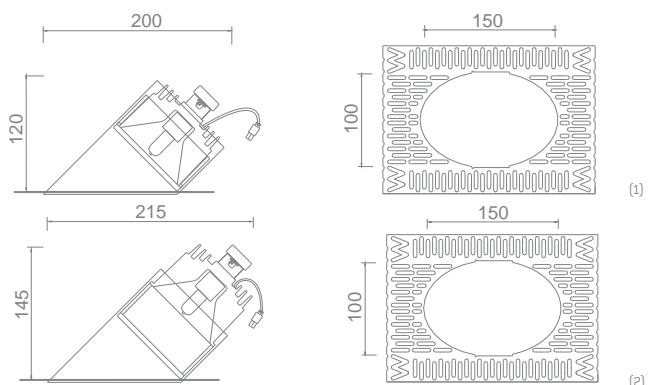
Features:

- 'Easy click' tool free second fix internal cartridge.
- Insert is interchangeable between lamp types and gimbal.
- Tool free driver maintenance.
- Pre-wired with a 'Plug and Play' electrical connection.
- Etched opal glass diffuser for both flush and recessed mounting positions.
- Retro-fittable into existing 100 Downlight frame.
- Gimbal insert can be utilised in this product. Contact us for further information.
- Whitegoods offers true sustainability, with its replaceable LED 'lamp' module.

| code | | lamp | colour temperature | CRI (Ra) | watts | lumens ⁽²⁾ | life (hr) ⁽⁸⁾ | cut-out |
|---------------------------|---|-----------------|-----------------------|----------|-------|-----------------------|--------------------------|-------------------|
| Xicato | | | | | | | | |
| P100RWW-LED-XI-830-700 |  | Xicato XSM-700 | 3000°K ⁽³⁾ | 80 | 12.4W | 700 lm | 50k | oval 120 x 170 mm |
| P100RWW-LED-XI-830-1000 * |  | Xicato XSM-1000 | 3000°K ⁽³⁾ | 80 | 18.3W | 1000 lm | 50k | oval 120 x 170 mm |
| P100RWW-LED-XI-930-700 |  | Xicato XSM-700A | 3000°K ⁽³⁾ | 95 | 21.3W | 700 lm | 50k | oval 120 x 170 mm |
| Bridgelux | | | | | | | | |
| P100RWW-LED-BR-830-800 * |  | ES Array-800 | 3000°K ⁽⁴⁾ | 82 | 14W | 800 lm | 50k | oval 120 x 170 mm |
| Philips | | | | | | | | |
| P100RWW-LED-PH-830-1100 |  | FortimoSLM-1100 | 3000°K ⁽⁵⁾ | 80 | 18W | 1100 lm | 50k | oval 120 x 170 mm |
| Osram | | | | | | | | |
| P100RWW-LED-OS-930-800 |  | PrevaLED-800 | 3000°K ⁽⁶⁾ | 90 | 11W | 800 lm | 50k | oval 120 x 170 mm |

Notes:

1. Reduced depth fitting.
 2. Standard depth fitting.
 3. Available in 827 (2700K), 830 (3000K) or 840 (4000K).
 4. Available in 830 (3000K) CRI 82 or 840 (4000K) CRI 80.
 5. Available in 830 (3000K), 835 (3500K) or 840 (4000K).
 6. Available in 930 (3000K) or 940 (4000K).
 7. Absolute range of lumen output is +/-10% of typical value stated.
 8. Until 70% lumen maintenance (Projected lifetime).
- A reduced depth fitting is available, please order additional product RDB-100LED to allow for a reduced depth fitting.
 - Dimming versions available: -phase dim; 0-10 or DALI.
 - LED specification subject to change. See our website for the latest info.
 - Glass position can be selected without the use of tools Codes marked '*' are stock items
 - All technical data is subject to manufacturer's published data.



Other information:

| | |
|--------------------------|----------|
| Set out guide | Page 154 |
| 100 LED Lamp information | Page 179 |
| Important information | Page 181 |