

150 square plaster-in wall wash LED

A 150 x 225mm rectangular recessed wall wash luminaire with absolute minimal visual impact.

Available with a range of market leading LED light engines with excellent colour consistency and light output.

Available in 1000 lumen to 3500 lumen output and "artist" version with excellent colour rendering of over 95 Ra.

Applications:

- Where the ceiling is to be plastered or re-plastered with a gypsum finish.

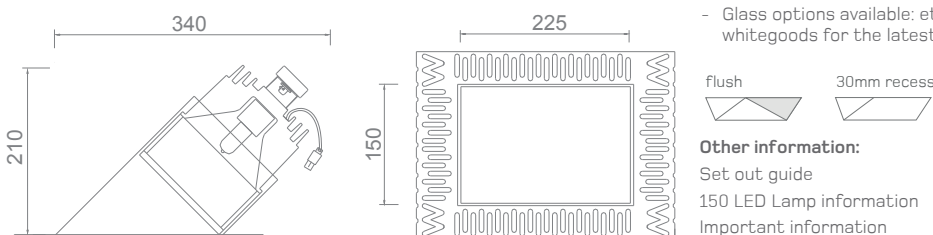
Features:

- 'Easy click' tool free second fix internal cartridge.
- Insert is interchangeable between lamp types and gimbal.
- Tool free driver maintenance.
- Pre-wired with a 'Plug and Play' electrical connection.
- Etched opal glass diffuser for both flush and recessed mounting positions.
- Gimbal insert can be utilised in this product. Contact us for further information.
- whitegoods offers true sustainability with its replaceable LED 'lamp' module.
- Retro-fittable into existing 150 wall wash frame.

code	lamp	colour temperature	CRI (Ra)	watts	lumens ⁽³⁾	life (hr) ⁽²⁾	cut-out
standard option:							
P150SWW-LED-XI-830-3000*	Xicato XSM-3000	3000°K ⁽³⁾	80	43.1W	3000 lm	50k	170 x 245 mm
P150SWW-LED-XI-930-1000*	Xicato XSM-1000A	3000°K ⁽³⁾	95	22.1W	1000 lm	50k	170 x 245 mm
special option:							
P150SWW-LED-XI-840-2000	Xicato XSM-2000	3000°K ⁽⁴⁾	80	36.3W	2000 lm	50k	170 x 245 mm
P150SWW-LED-XI-940-1300	Xicato XSM-1300A	3000°K ⁽⁴⁾	95	32.1W	1300 lm	50k	170 x 245 mm
P150SWW-LED-BR-830-3500	Bridgelux ES Array-3500	3000°K ⁽⁴⁾	80	51W	3500 lm	50k	170 x 245 mm
P150SWW-LED-PH-830-3000	Phillips FortimoSLM-3000	3000°K ⁽⁴⁾	85	39W	3000 lm	50k	170 x 245 mm
P150SWW-LED-OS-930-3000	Osram PrevaLED-3000	3000°K ⁽⁴⁾	90	39W	3000 lm	50k	170 x 245 mm

Notes:

1. Absolute range of lumen output is +/-10% of typical value stated.
2. Lifetime figures based on less than 40° ambient temperature.
3. Available in [2700K], [3000K] or [4000K].
4. Contact us for special LED option specification.
 - Dimming versions available: -phase dim; 0-10 or DALI.
 - Codes marked '*' are stock items.
 - All technical data is subject to manufacturer's published data.
 - Glass options available: etched, prismatic and open fitting. Contact whitegoods for the latest information.

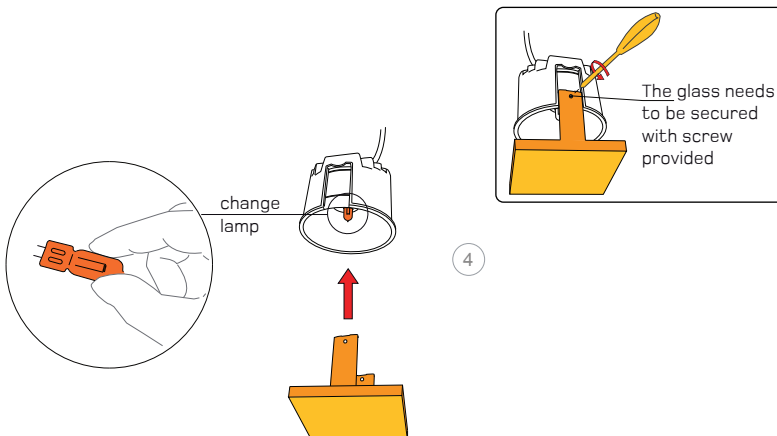
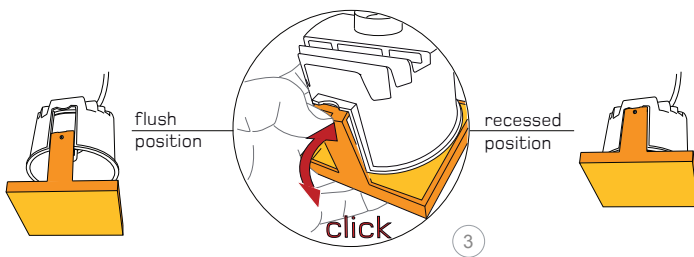
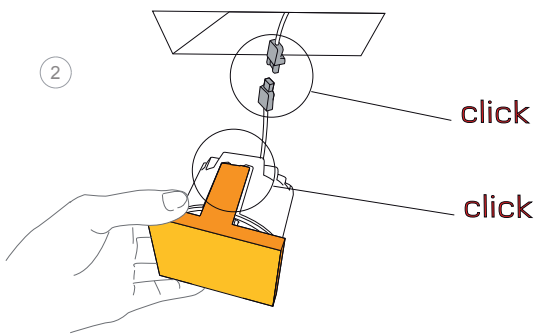
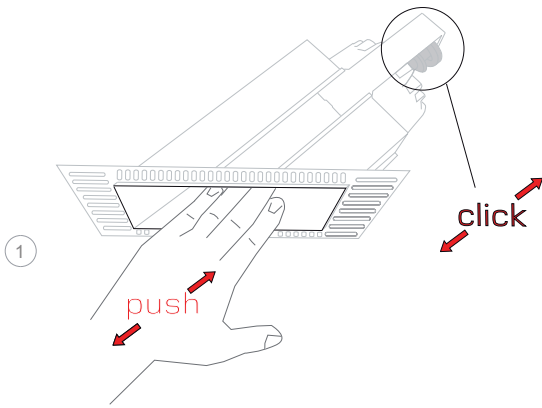


Other information:

Set out guide
150 LED Lamp information
Important information

Page 198
Page 178
Page 225

lamp removal



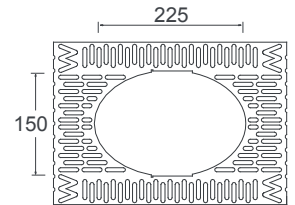
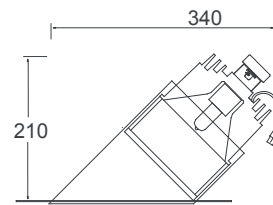
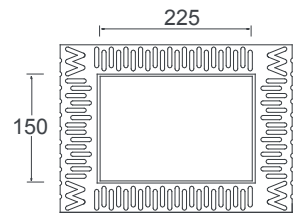
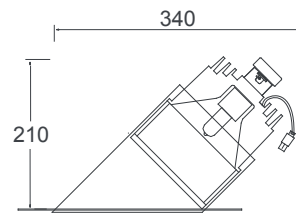
installation instructions / 150 plaster-in wallwash:

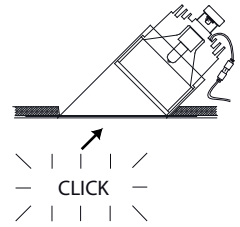
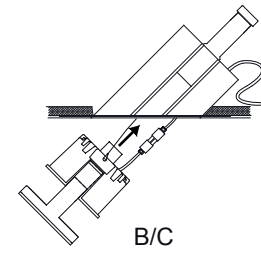
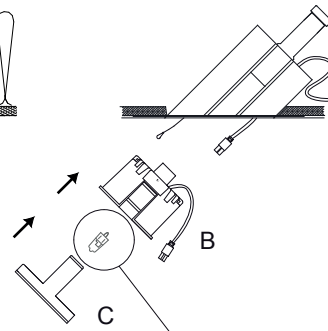
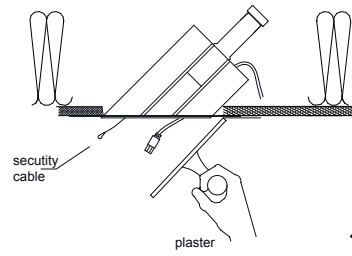
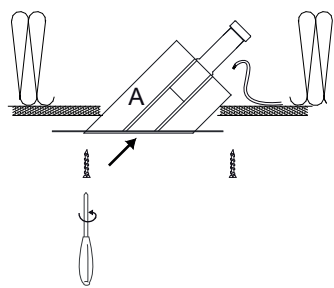
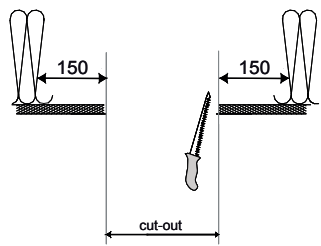
P150RWW-LVC
P150RWW-CDM-TC
P150RWW-CFL
P150RWW-LED-XI
P150RWW-LED-BR
P150RWW-LED-PH
P150RWW-LED-OS



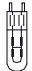


P150SWW-LVC
P150SWW-CDM-TC
P150SWW-CFL
P150SWW-LED-XI
P150SWW-LED-BR
P150SWW-LED-PH
P150SWW-LED-OS

cut-out:
170mm x 240mm

cut-out:
170mm X 240mm





				
CFL	CDM-TC	LVC	LED (Xicato)	LED (chips)

code	lamp	type	base	watts	lumen	cut-out & recess
P150RWW-LVC	P150SWW-LVC	Low voltage capsule	QTax-12	20-75W	320-1800 lm	oval 170 mm x 245 mm 170 x 245 mm
P150RWW-CDM-TC	P150SWW-CDM-TC	Ceramic discharge metal halide	CDM-TC	35-70W	2200-6000 lm	oval 170 mm x 245 mm 170 x 245 mm
P150RWW-CFL	P150SWW-CFL	Compact fluorescent	TC-TEL	26-32W	1800-2400 lm	oval 170 mm x 245 mm 170 x 245 mm
P150RWW-LED-XI	P150SWW-LED-XI	LED	LED	21-37W	1000 - 2000 lm	oval 170 mm x 245 mm 170 x 245 mm
P150RWW-LED-BR	P150SWW-LED-BR	LED	LED	21-29W	1200 - 2000 lm	oval 170 mm x 245 mm 170 x 245 mm
P150RWW-LED-PH	P150SWW-LED-PH	LED	LED	20-32W	1100 - 2000 lm	oval 170 mm x 245 mm 170 x 245 mm
P150RWW-LED-OS	P150SWW-LED-OS	LED	LED	11-28W	800 - 2100 lm	oval 170 mm x 245 mm 170 x 245 mm

GB

Installation

Disconnect the mains supply before installation

This fixture is to be installed and maintained by a recognised electrician.

Care must be taken when plastering the housing that no excess plaster is applied on the inside of the luminaire housing as this is detrimental to the operation of the luminaire.

1. Cut-out the required recessing aperture and screw fix the frame (A) to the soffit (as shown). Use a timber batten backing to the soffit if stronger fixing points are required.
2. Remove any insulation or obstruction within 150mm of the mounting frame.
3. Plaster the ceiling using the lip of the frame as a stop bead for the plaster finish.
4. Clean any excess plaster from inside the mounting frame as this will have detrimental effect on the operation of the luminaire.

Make the electrical connection as follows:

Fitting Type: P150SWW-LVC; P150RWW-LVC;

A. Remove the female 230/240v 50/60Hz 2-pin connector plug from the luminaire and wire the plug to the secondary side of the transformer. Refer to the transformer for a detailed wiring diagram. Use only Whitegoods supplied transformers.

B. Wire the mains input to the supplied transformer, refer to the transformer for a detailed wiring diagram.

C. Re-connect the female plug from the mains transformer to the male plug attached to the luminaire.

Fitting Type: P150SWW-MVC; P150RWW-MVC;

A. Unplug the female 230/240v 50/60Hz 3-pin connector from the lamp insert and wire the mains cable into position.

B. Re-connect the female to male plug.

Fitting Type: P150SWW-LED; P150RWW-LED; TBA.

Fitting Type: P150SWW-CDMTC; P150RWW-CDMTC;

A. Unplug the female 230/240v 50/60Hz 2-pin plug from the lamp insert and wire the control gear secondary side to the plug. Refer to the control gear for a detailed wiring diagram. Use only Whitegoods supplied control gear.

B. Wire the mains input to the supplied transformer, refer to the transformer for a detailed wiring diagram.

C. Re-connect the female plug from the mains transformer to the male plug attached to the luminaire.

Fitting Type: P150SWW-CFL; P150RWW-CFL;

A. Wire the mains input to the supplied control gear, refer to the control gear for a detailed wiring diagram.

B. Connect the cable plug from the control gear to the luminaire insert.

5. Insert the specific lamp into the lamp insert as shown overleaf.

6. Clip the glass stirrup (C) onto the lamp cartridge (B) (The glass stirrup can be connected in a the flush or recessed position, dependant on lamp type)

7. Connect the security cable to the luminaire insert and 'push-click' the lamp insert assembly (B/C) into the frame (A)

Re-lamping Procedure

Disconnect the mains power supply before re-lamping

1. 'Push-click' the lamp cartridge assembly (B/C) to release from the frame (A)

2. Suspend the assembly on the security cable wire

3. Remove the glass stirrup (C)

4. Replace the lamp within the lamp insert (B), (dispose of lamp according to specific regulations)

5. Re-fit the glass stirrup to lamp insert (The glass stirrup can be connected in a flush or recessed position as described above)

6. 'Push-click' the lamp insert assembly (B/C) into the frame (A)

Installation The installation of these products should only be carried out by a suitably qualified electrician in accordance with the instructions supplied with the product. All installation instructions can be downloaded from our website. We recommend that they are included with construction issue drawings and specifications.

Ceiling void depths for recessed downlights and linear luminaires: The Ceiling void depth should ideally be 25mm deeper than the overall height of the luminaire. When a fire-hood and/or a remote emergency pack is to be used, the void depth and space surrounding the luminaire will need to be increased.

Dimensions and specification The drawings, dimensions and finishes of the products in this catalogue and any accompanying information are purely indicative. Great care is taken to provide up to date information in this publication, however, due to a continuing programme of design and development, we reserve the right to change these dimensions without prior notice. Please check the website for most up to date information. If a dimension is critical to the success of your project, please confirm it directly with the technical department. Throughout this publication, cut-out sizes refer to the aperture required when fittings are mounted in soft plasterboard. For fibrous tiles, timber, metal tiles and cast-in construction, check dimensions on site, or ask for a sample. Whitegoods reserves the right to discontinue any product in this publication at any time without prior notice.

Performance All photometric data supplied is taken from a standard production luminaire tested under ideal laboratory conditions and may vary from data taken in alternative conditions. All calculated light levels and/or lighting plots provided are offered for guidance only. The customer must satisfy themselves that luminaires proposed are suitable for the application intended in all performance and physical criteria.

Temperature and physical environment All products are tested with stated lamp wattage. Incorrect lamp types and wattages may effect efficiency, create glare and seriously overheat the luminaire. Adequate ventilation and free air space around fittings (in accordance with the installation instructions supplied with the product) will be necessary when used in confined spaces where elevated temperatures will occur. All luminaires are designed to operate in a maximum 30degree ambient temperature. Operating in ambient temperatures above this can affect performance and the mechanical functionality of the luminaire.

Intellectual property In order that we can continue to develop innovative quality products, we believe it is of critical importance that we protect our ideas and visions. Therefore any infringement of our intellectual property will be vigorously pursued.

Returns We cannot offer refunds on Custom or Tailored products, Standard product may be eligible for re-stocking within 3 months of original purchase date, subject to a 30% handling charge. All original packaging and documentation must be present and goods must be in original condition.

Service Whitegoods will endeavor to fulfill all orders as quickly as possible and treat all customers with the highest regard. For further information about Whitegoods products and services, please visit www.whitegoods.com.

WEEE directive The Waste Electrical and Electronic Equipment Directive (WEEE Directive) is the European Community directive 2002/96/EC on waste electrical and electronic equipment, together with the RoHS Directive 2002/95/EC which became European Law in February 2003, setting collection, recycling and recovery targets for all types of electrical goods. This imposes responsibility for the disposal of waste electrical and electronic equipment (WEEE) on the manufacturers of such equipment. To meet these targets Whitegoods has become a member of Lumicom to allow us to meet the current and future directives. For further information on the WEEE directive please contact our offices. WEEE Registration number is WEE/FG0362QY

